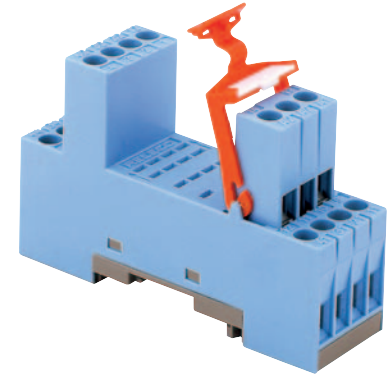
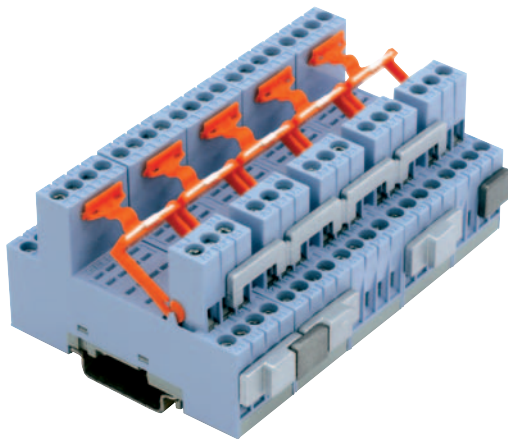


**QRC series**  
**S9-M**  
**Socket for miniature 4 pole relay C9-...**

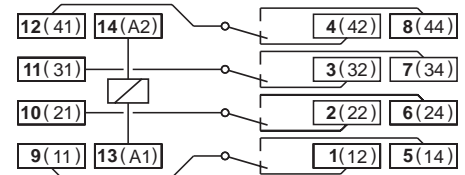
|                                       |                                                                     |
|---------------------------------------|---------------------------------------------------------------------|
| <b>Type</b>                           | <b>S9-M</b><br>4-pole, 2 level<br>integrated clip and marking label |
| <b>Rated current</b>                  | <b>6 A</b>                                                          |
| <b>Specifications</b>                 |                                                                     |
| Rated load                            | 6 A/250 V                                                           |
| Insulation                            | Test voltage V rms 1 min                                            |
| - All terminals/DIN rail              | 2,5 kV                                                              |
| - Terminal/terminal                   | 2,5 kV                                                              |
| Cross-section of connecting wire      |                                                                     |
| - Single-wire                         | 4 mm <sup>2</sup> or 2 x 2,5 mm <sup>2</sup>                        |
| - Multi-wire                          | 22 - 14 AWG                                                         |
| Max. screw torque                     | 1,2 Nm                                                              |
| Screw dimensions                      | M3, Pozi, slot                                                      |
| Integrated retaining clip/plastic     | for relay series C9                                                 |
| Labelling space                       | detachable                                                          |
| Connection label                      | 1...14; DIN/EN                                                      |
| Mounting                              | DIN rail TS35 or mounting plate                                     |
| Ambient temperature operation/storage | -40 (no ice)...60 °C /-40 ... 80 °C                                 |



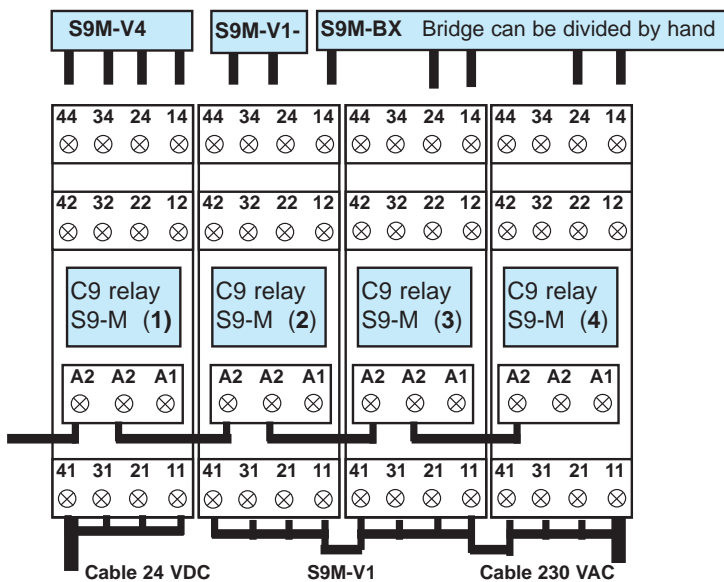
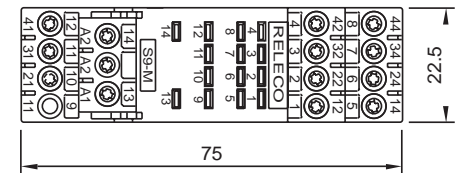
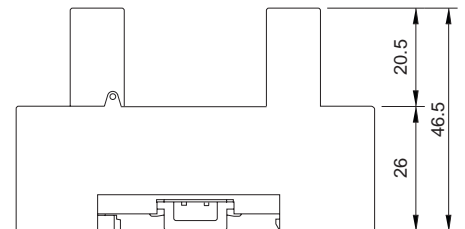
**Socket for 4 poles, QRC relays** **C9-A, C9-E, C9-R**



**Connection diagram**



**Dimensions [mm]**



**Technical approvals, conformities**



(D) (S) (FI) (N) EN 60947-1, EN 61810-5