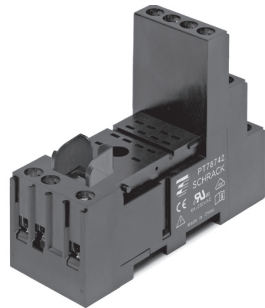


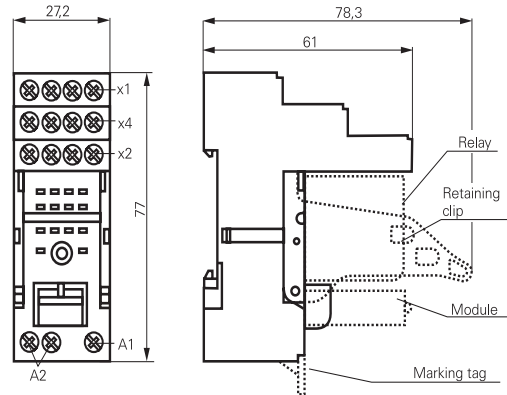
**Accessories Miniature Relay PT (Continued)**

**DIN-rail socket with screw type terminals  
PT78722/PT78742**

- Socket with logical arrangement of control/load terminals
- High quality rising clamp terminals
- Captive combination terminal screws
- Second A2 for easier looping
- Jumper bars for interconnection



F0264-C



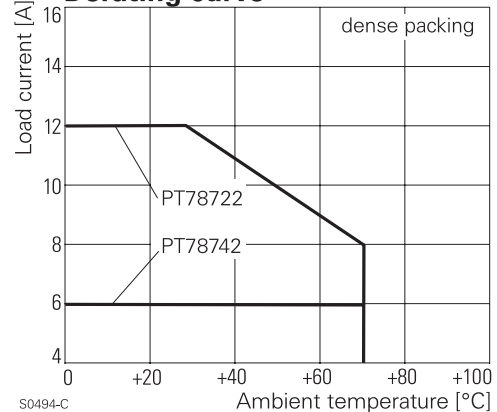
S0489-CA

**Approvals**

VDE Cert. No. 40009108, cULus E135149

| Technical data  | 2-pole                  | 4-pole                |
|---|-------------------------|-----------------------|
| Rated voltage/Max. switching voltage AC   | 240/400VAC              | 240 VAC               |
| Rated current   | 12 A                    | 6 A                   |
| Limiting continuous current   | see derating curve      |                       |
| Dielectric strength   |                         |                       |
| coil contact circuit  | 2500 V <sub>rms</sub>   | 2500 V <sub>rms</sub> |
| open contact circuit  | 1200 V <sub>rms</sub>   | 1200 V <sub>rms</sub> |
| adjacent contact circuits   | 2500 V <sub>rms</sub>   | 2000 V <sub>rms</sub> |
| Clearance / creepage  |                         |                       |
| coil contact circuit  | ≥ 4/4 mm                | ≥ 4/4 mm              |
| adjacent contact circuits   | ≥ 3.5/9.5 mm            | ≥ 1.8/3.5 mm          |
| Material group of insulation parts  | IIIa                    |                       |
| Insulation to IEC 60664-1   |                         |                       |
| Type of insulation coil-contact circuit   | basic                   |                       |
| open contact circuit  | functional              |                       |
| adjacent contact circuits   | basic                   |                       |
| Rated insulation voltage  | 250 V                   |                       |
| Pollution degree  | 2 <sup>1)</sup>         |                       |
| Rated voltage system  | 230 / 400 V             |                       |
| Overvoltage category  | III                     |                       |
| Material compliance: EU RoHS/ELV, China RoHS, REACH, Halogen content refer to the Product Compliance Support Center at <a href="http://www.te.com/customersupport/rohssupportcenter">www.te.com/customersupport/rohssupportcenter</a> |                         |                       |
| Ambient temperature range   | -40...+70°C             |                       |
| Terminals   | screw                   |                       |
| Terminals screw torque acc. IEC 61984   | 0.5 Nm                  |                       |
| max.  | 0.7 Nm                  |                       |
| Wire cross section  |                         |                       |
| single wire   | 2 x 2.5 mm <sup>2</sup> |                       |
| fine wire   | 2 x 2.5 mm <sup>2</sup> |                       |
| with bootlace crimp (DIN 46228/1)   | 2 x 1.5 mm <sup>2</sup> |                       |
| Insertion cycles  | A (10)                  |                       |
| Max. Insertion Force total  | 100 N                   |                       |
| Mounting distance   | ≥ 0, dense packing      |                       |
| Weight  | 44 g                    | 60 g                  |
| Packaging unit  | 10 pcs                  |                       |

**Derating curve**



S0494-C

1) with inserted relay pollution degree 1 in region of contact pin/socket inlets

**Accessories Miniature Relay PT (Continued)**

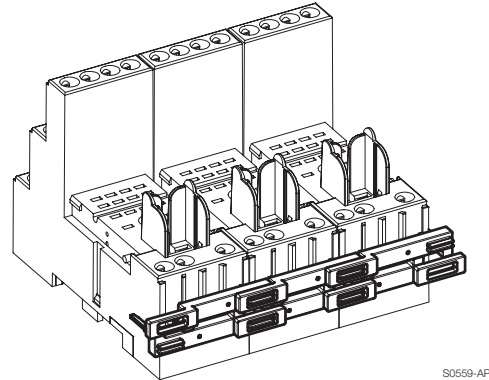
**DIN-rail socket with screw type terminals, In/Out arrangement**

| Type  | Part Number |
|---|-------------|
| <b>PT 78 722</b> DIN-rail socket with screw type terminals, In/Out arrangement 2 pole | 1415526-1   |
| <b>PT 78 742</b> DIN-rail socket with screw type terminals, In/Out arrangement 4 pole | 1-1415526-1 |

**Accessories for PT 78 722, PT 78 742**

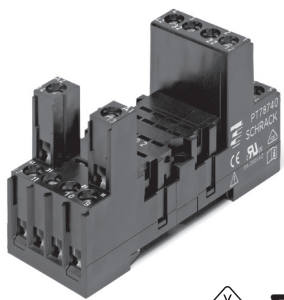
| Type   | Part Number |
|--|-------------|
| <b>PT 17 021</b> Plastic retaining clip, relay height 29 mm                    | 2-1415526-1 |
| <b>PT 28 800</b> Metal retaining clip PT, relay height 29 mm                   | 5-1419111-9 |
| <b>PT 17 040</b> Marking tag   | 6-1415037-1 |
| <b>PT 17 0R6</b> Jumper bar, max load 12A for connection of up to 6 PT sockets | 1860517-5   |

Jumper bar

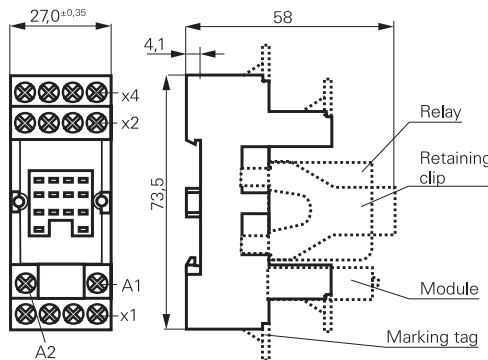


S0559-AP

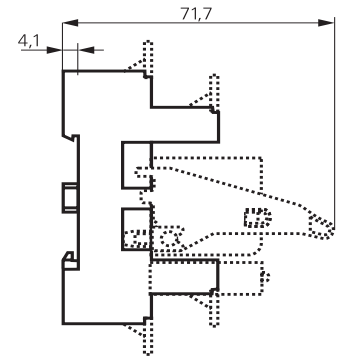
**PT DIN-rail socket with screw type terminals PT78720/730/740/741**



F0234-C



S0427-DB

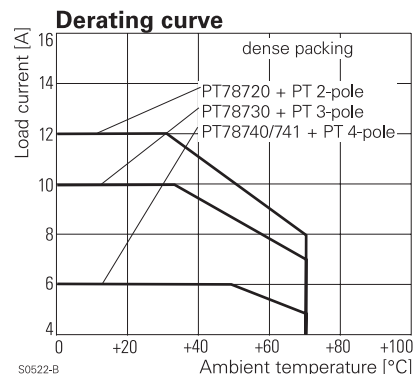


S0427-CF

**Approvals**

VDE Cert. No. 40009108, cULus E135149

| Technical data  | 2-pole                | 3-pole                | 4-pole                |
|---|-----------------------|-----------------------|-----------------------|
| Rated voltage/Max. switching voltage AC   | 240/400VAC            |                       |                       |
| Rated current   | 12 A                  | 10 A                  | 6 A                   |
| Limiting continuous current   | see derating curve    |                       |                       |
| Dielectric strength   |                       |                       |                       |
| coil-contact circuit  | 2500 V <sub>rms</sub> | 2500 V <sub>rms</sub> | 2500 V <sub>rms</sub> |
| open contact circuit  | 1200 V <sub>rms</sub> | 1200 V <sub>rms</sub> | 1200 V <sub>rms</sub> |
| adjacent contact circuits   | 2500 V <sub>rms</sub> | 2500 V <sub>rms</sub> | 2000 V <sub>rms</sub> |
| Clearance / creepage  |                       |                       |                       |
| coil-contact circuit  | ≥ 4/4 mm              | ≥ 4/4 mm              | ≥ 4/4 mm              |
| adjacent contact circuits   | ≥3.5/9.5mm            | ≥2.6/3.5mm            | ≥1.8/3.5mm            |
| Material group of insulation parts IIIa   |                       |                       |                       |
| Insulation to IEC 60664-1   |                       |                       |                       |
| Type of insulation  |                       |                       |                       |
| coil-contact circuit  | basic                 | basic                 | basic                 |
| open contact circuit  | functional            | functional            | functional            |
| adjacent contact circuits   | basic                 | basic                 | functional            |
| Rated insulation voltage  | 250 V                 |                       |                       |
| Pollution degree  | 2                     |                       |                       |
| Rated voltage system  | 230 / 400 V           |                       |                       |
| Overvoltage category  | III                   |                       |                       |
| Material compliance: EU RoHS/ELV, China RoHS, REACH, Halogen content refer to the Product Compliance Support Center at <a href="http://www.te.com/customer-support/rohssupportcenter">www.te.com/customer-support/rohssupportcenter</a> |                       |                       |                       |
| Ambient temperature range   | -40...+70°C           |                       |                       |



S0522-B