

# Compact Relay Bases

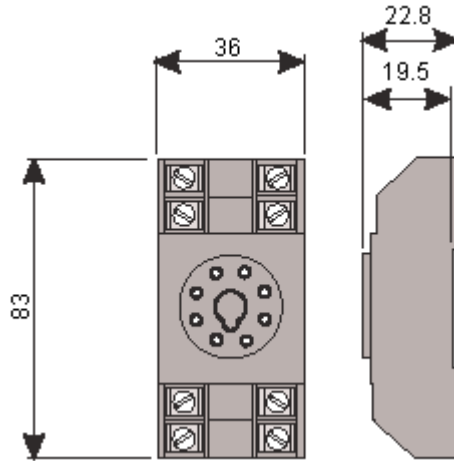


## UL 94-V0 Rated Nylon

MCS8P



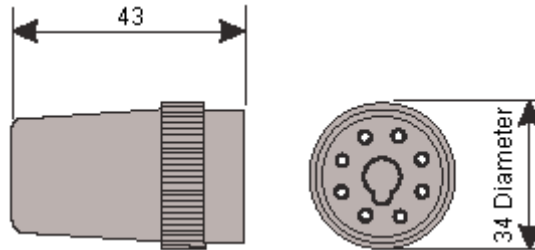
MCS11P



MCS8F

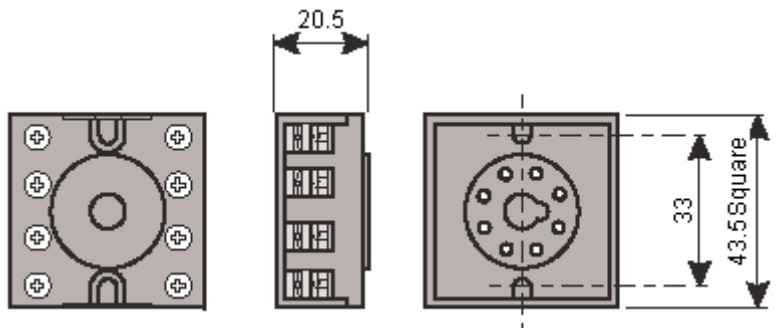


MCS11F



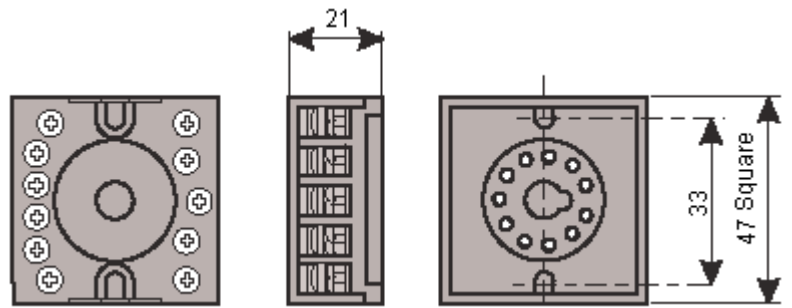
Dimensions : Millimetres

MCCDSR08



Dimensions : Millimetres

MCCDSR11



Dimensions : Millimetres

# Compact Relay Bases



## UL 94-V0 Rated Nylon

### Features:

- This range of compact sockets manufactured nylon PA6 and can be DIN-rail, panel or chassis mounted products
- The sockets are suitable for use with tempatron 8 and 11 pin timers and process controllers
- All screw terminals are shrouded and finger proofed to maximise safety
- Terminals are rated at 5 A and 10 A at 250 V ac depending on type

### Specifications:

Contact Load	: 250 V ac at 10 A (MCCDSR types)
	: 250 V ac at 10 A (MCS8P / MCS11P)
	: 250 V ac at 10 A (MCS8F / MCS11F)
Insulation	: >10 <sup>3</sup> M
Dielectric Strength	: 2 K V
Fixings	: M3 screws or DIN-rail EN50022
Material	: Nylon PA6
Weight	: CDSR types : 45 g

### Specification Table

Type	Mounting	No Pins	Terminals Part Number	Part Number
Sockets	Panel	8	Rear Screw	MCCDSR08
		11		MCCDSR11
	Panel / DIN rail	8	Front Screw	MCS8P
		11		MCS11P
	Free	8	Solder	MCS8F
		11		MCS11F
Cover*	-	-	-	MCFWSP

\*To Suit S8P and S11P.

**Important Notice** : This data sheet and its contents (the "Information") belong to the members of the Premier Farnell group of companies (the "Group") or are licensed to it. No licence is granted for the use of it other than for information purposes in connection with the products to which it relates. No licence of any intellectual property rights is granted. The Information is subject to change without notice and replaces all data sheets previously supplied. The Information supplied is believed to be accurate but the Group assumes no responsibility for its accuracy or completeness, any error in or omission from it or for any use made of it. Users of this data sheet should check for themselves the Information and the suitability of the products for their purpose and not make any assumptions based on information included or omitted. Liability for loss or damage resulting from any reliance on the Information or use of it (including liability resulting from negligence or where the Group was aware of the possibility of such loss or damage arising) is excluded. This will not operate to limit or restrict the Group's liability for death or personal injury resulting from its negligence. Multicomp is the registered trademark of the Group. © Premier Farnell plc 2012.