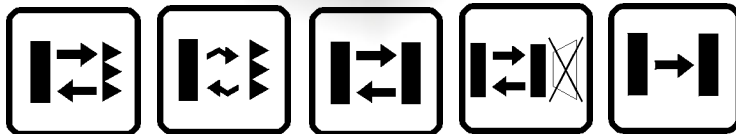


**S300 PA**

The **S300 PA** series of advanced **MAXI** photoelectric sensors represents the most suitable solution for standard applications thanks to its excellent cost/performance ratio. The new series offers a wide range of models and functions in order to guarantee easy use and installation. The new series presents **5** different models with **through beam** optical function up to **50m**, **retroreflex** up to **15m**, **polarized retroreflex** up to **10m**, **diffused proximity** at **2m** and **background suppression** at **2m**. All the models are available both **Vdc** from **12 to 30V** and **Vac/Vdc** free-voltage from **24 to 240V** versions. A timing function version with both the **SPDT** relay or the bipolar transistor **NPN/PNP** open collector outputs is offered. The **terminal block connection** simplifies and speeds-up the installation procedure, whereas the **heavy-duty plastic housing** guarantees excellent resistance under harsh use conditions.



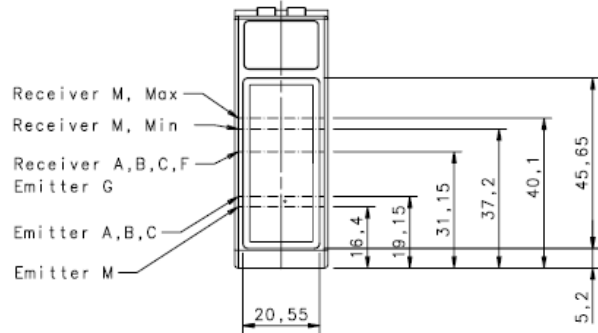
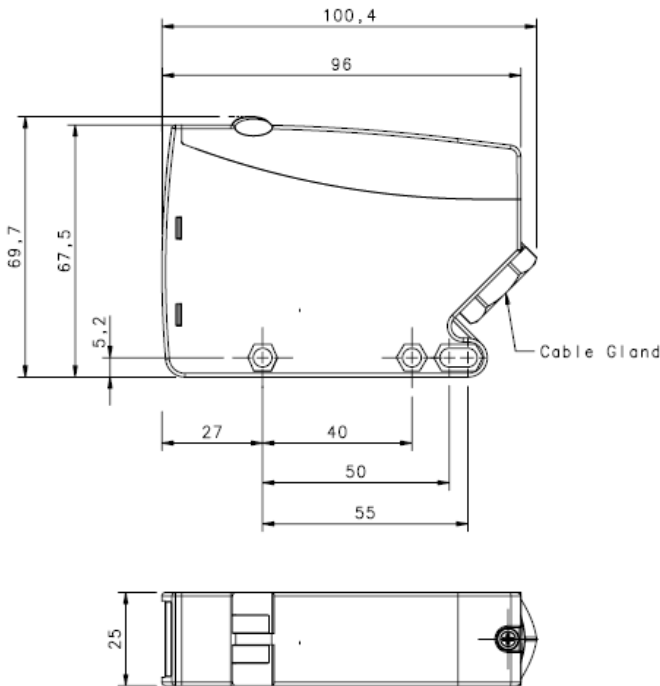
**HIGHLIGHTS**

- Excellent optical performances
- Sturdy plastic housing with **IP67** mechanical protection
- Wide range of operating temperatures ranging from **-25 to 55°C**
- Timing function from 0.6-16 s **ON-delay**, **OFF delay** **ONE SHOT**
- **Terminal block for both Vdc and Vac/Vdc free voltage versions**
- Distance trimmer clutch for mechanical background suppression models

**APPLICATIONS**



## DIMENSIONS

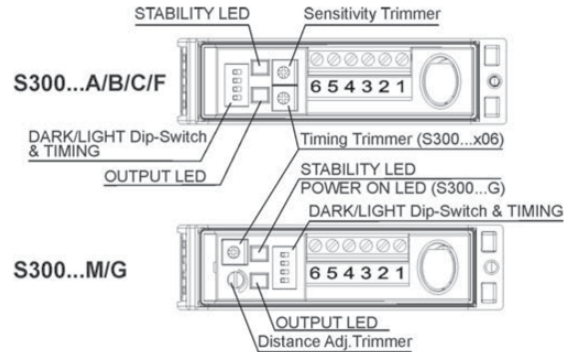


mm

## SETTINGS

The **M** model presents a **multiturn adjustment screw** for the adjustment of the background suppression distance using a mechanical variation of the optic triangulation angle. The **other models have a mono-turn electronic trimmer** that adjusts the sensitivity and the sensor operating distance. The operating distance can be increased by rotating the screws clockwise. Trimmers can be used to adjust the output activation and deactivation delay time whilst functioning mode selection is performed through DIP SWITCHES.

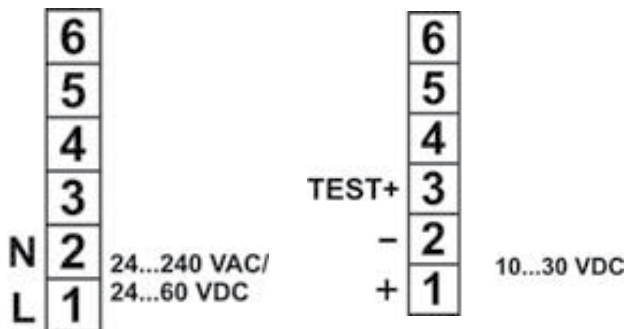
## CONTROLS



## CONNECTIONS G

AC MODELS

DC MODELS



## CONNECTIONS A, B, C, M, F

AC MODELS

DC MODELS

