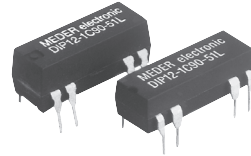


## DESCRIPTION

The DIP series is a very compact design having a low profile package and a high profile package. This series is compatible with all DIP relays.



## FEATURES

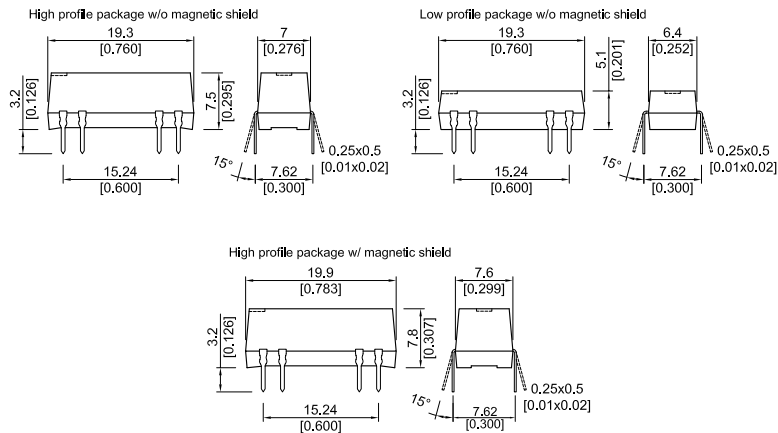
- High resistance option available
- SMD version available
- Diode option available
- Mercury wetted switch option available

## CHARACTERISTICS

- Low profile package
- Standard pin configurations
- IC-pin compatible
- 4.25 kVDC breakdown voltage for pin out 13
- UL approval

## DIMENSIONS

All dimensions in mm [inches]



## Molded DIP Reed Relays

### ORDER INFORMATION

RELAY SERIES	NOMINAL VOLTAGE	CONTACT FORM	SWITCH MODEL	PIN OUT	OPTION ( ) VERSION WITH MAGNETIC SHIELD
<b>DIP</b>	<b>XX -</b>	<b>XX</b>	<b>XX -</b>	<b>XX</b>	<b>X</b>
<b>OPTIONS</b>	05, 12, 15, 24	1A	72, 75	11, 13*	L (M), D (Q), E (R), F (S)
		1B		19	
		2A		21	
	05, 12	1C	90	51	

\* Selects 4.25 kVDC (3.0kVRMS) breakdown voltage contact to coil.

#### Part Number Example

DIP12 - 1A72 - 13L

12 is the nominal voltage

1A is the contact form

72 is the switch model

13 is the pin out

L is the option

### PIN OUT

View from top of component  
2.54mm [0.10"] pitch grid

