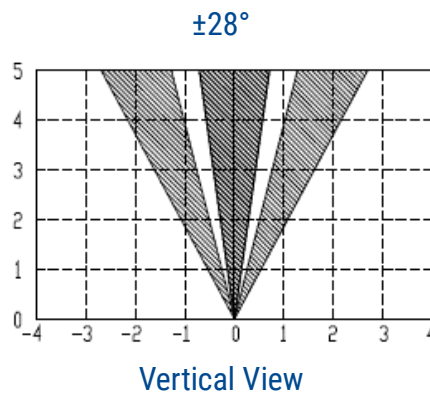
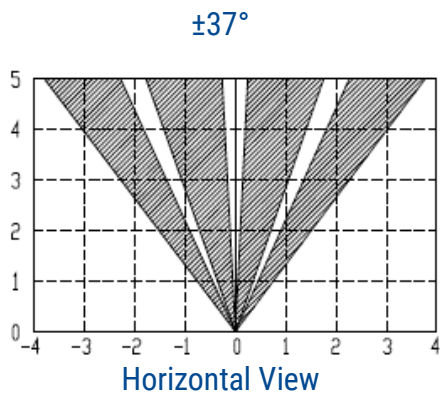
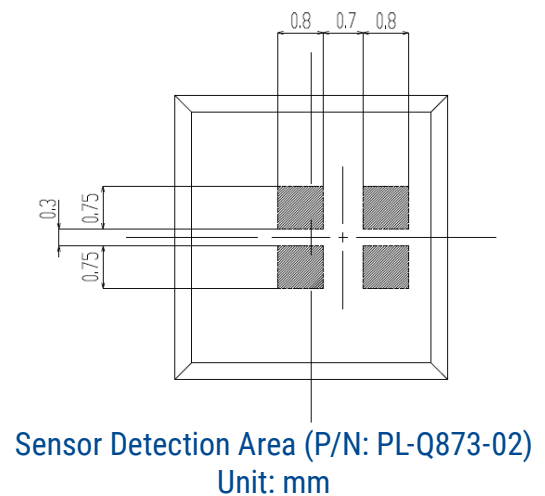
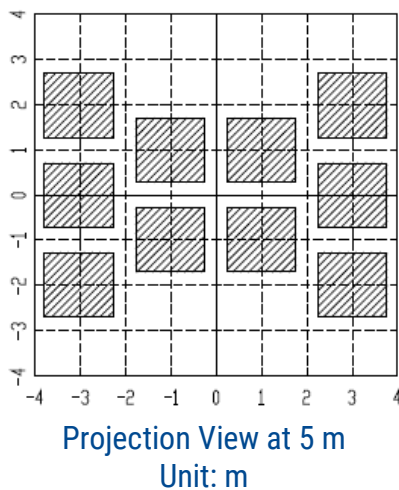


## Performance Characteristics cont.

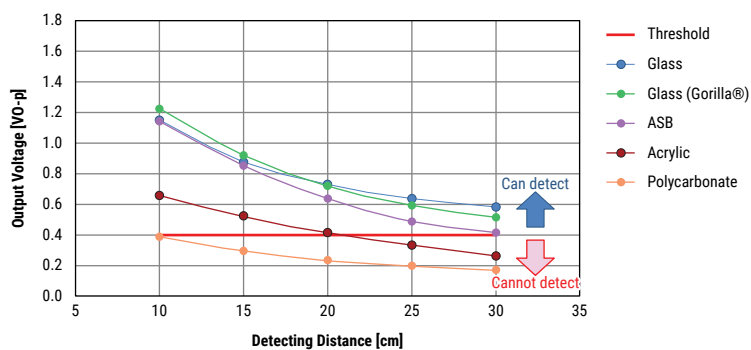
### PL-001L-N - Field of View (Unit: m)



### PL-001L-N - Projection View



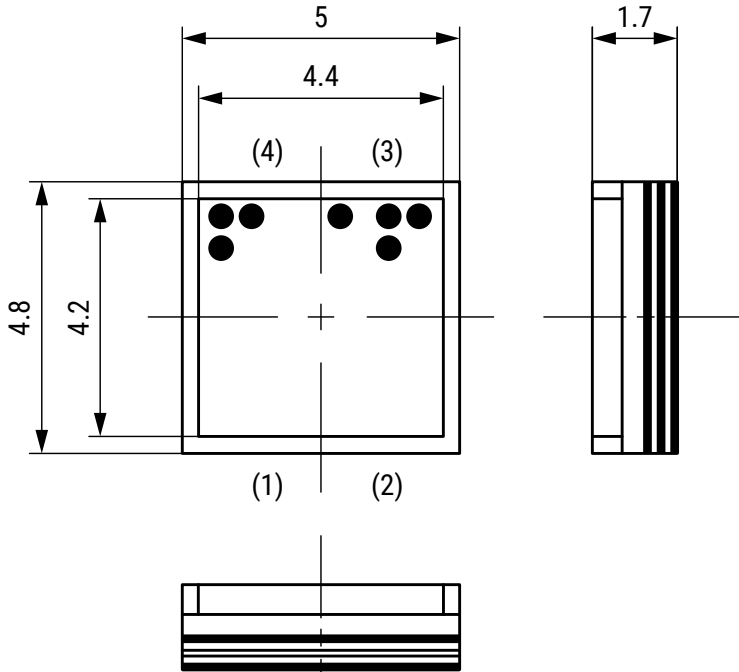
### Detecting Performance with Different Materials



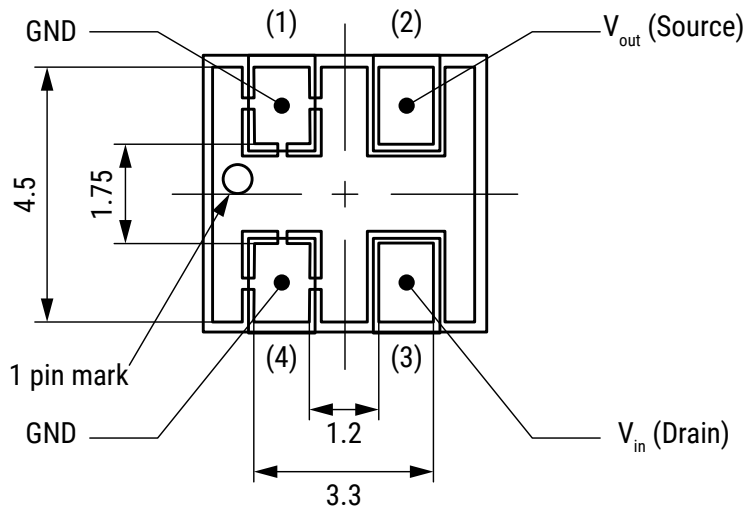
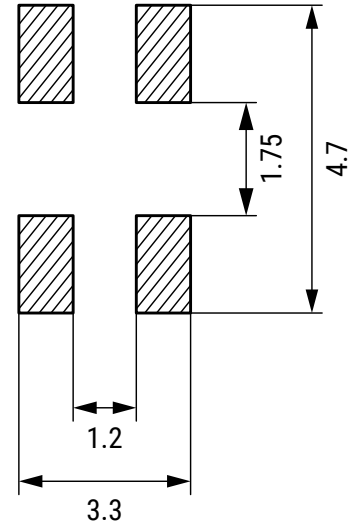
Measuring conditions: Transfer velocity - 1 m/s  
 Heat source size - 170×70 mm (relative to hand)  
 Temperature difference -  $\Delta 10^\circ\text{C}$   
 Each material thickness - 1 mm (clear color)

## Dimensions in mm

Sensor - Dimensions in mm



Sensor - Land Pattern in mm



Sensor - Pin Assignment

Pin Number	Pin Name
1	GND
2	$V_{out}$ (Source)
3	$V_{in}$ (Drain)
4	GND