

25.4 mm (1") DIAMETER STAINLESS STEEL COMPRESSION LOAD CELL

STANDARD AND METRIC MODELS

Compression

0-100 lb to 0-10,000 lb
0-500 to 0-50,000 N

1 Newton = 0.2248 lb
1 daNewton = 10 Newtons
1 lb = 454 g
1 t = 1000 kg = 2204 lb

LC304/LCM304 Series



- ✓ Heavy-Duty Design
- ✓ Built-In Load Button for Easy Installation
- ✓ Miniature 25 mm (1") Diameter and 25 mm (1") High Case
- ✓ 5-Point Calibration Provided

OMEGA's LC304/LCM304 Series load cells offer the highest output of all miniature load cells. Their small 25 mm (1") diameter makes it easy to mount them in a pocket or on a flat surface. The rugged stainless steel case and high-quality construction ensure reliability.

SPECIFICATIONS

Excitation: 10 Vdc, 15 Vdc maximum

Output: 2 mV/V nominal

Accuracy: ±0.5% FSO linearity, hysteresis, repeatability combined

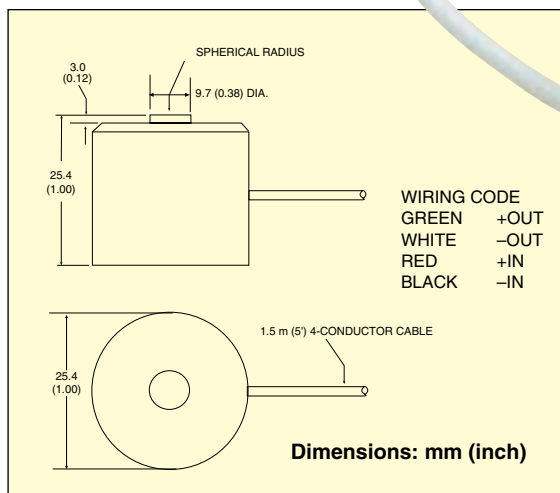
5-Point Calibration: 0%, 50%, 100%, 50%, 0%

Zero Balance: ±2% FSO

Operating Temp Range: -54 to 107°C (-65 to 225°F)

Compensated Temp Range: 16 to 71°C (60 to 160°F)

Deflection: 0.025 to 0.076 mm (0.001 to 0.003")



LC304-1K,
shown actual size.

Thermal Effects:

Zero: 0.009% FSO/°C
Span: 0.036% FSO/°C

Protection Class: IP65

Safe Overload: 150% of capacity

Ultimate Overload: 300% of capacity

Bridge Resistance: 350 Ω minimum

Construction: Stainless steel

Electrical: 1.5 m (5') 4-conductor cable

STANDARD MODELS

To Order			
CAPACITY		MODEL NO.	COMPATIBLE METERS
lb	N		
100	445	LC304-100	iSeries, DP41-S, DP25B-S
500	2224	LC304-500	iSeries, DP41-S, DP25B-S
1000	4448	LC304-1K	iSeries, DP41-S, DP25B-S
3000	13,345	LC304-3K	iSeries, DP41-S, DP25B-S
5000	22,242	LC304-5K	iSeries, DP41-S, DP25B-S
7500	33,363	LC304-7.5K	iSeries, DP41-S, DP25B-S
10,000	44,484	LC304-10K	iSeries, DP41-S, DP25B-S

METRIC MODELS

CAPACITY		MODEL NO.	COMPATIBLE METERS
N	lb		
500	112	LCM304-500N	DP41-S, DP25B-S, iSeries
2000	450	LCM304-2KN	DP41-S, DP25B-S, iSeries
5000	1124	LCM304-5KN	DP41-S, DP25B-S, iSeries
10,000	2248	LCM304-10KN	DP41-S, DP25B-S, iSeries
20,000	4496	LCM304-20KN	DP41-S, DP25B-S, iSeries
50,000	11,240	LCM304-50KN	DP41-S, DP25B-S, iSeries

Comes complete with 5-point NIST-traceable calibration and 59 kΩ shunt data.

Ordering Examples: LC304-100, 100 lb capacity load cell.

LC304-5K, 5000 lb capacity load cell.

LCM304-5KN, 5000 N capacity load cell.