

General Purpose Relays

Additional Contact Ratings

Lowest Load for Standard Contacts

(Current - A, Resistive unless otherwise noted)

Voltage	Make	Carry	Break
5 VDC	1A		
		1A	
			1A
12 VDC	0.75A		
		0.75A	
			0.75A
28 VDC	0.050A		
		0.050A	
			0.050A
48 VDC	0.050A		
		0.050A	
			0.050A
125VDC	0.050A		
		0.050A	
			0.050A
250 VDC	0.050A		
		0.050A	
			0.050A
120 VAC	0.050A		
		0.050A	
			0.050A
240 VAC	0.050A		
		0.050A	
			0.050A
480 VAC	0.050A		
		0.050A	
			0.050A

Highest Load for Bifurcated Contacts

(Current - A, Resistive unless otherwise noted)

Voltage	Make	Carry	Break
28 VDC	5A		
		3A	
			2.5A
48 VDC	3A		
		2A	
			1.5A
125VDC	1A		
		0.5A	
			0.25A
250 VDC	0.5A		
		0.25A	
			0.1A
120 VAC	5A*		
		5A*	
			5A*
240 VAC	2.5A*		
		2.5A*	
			2.5A*
277 VAC	2.5A		
		1.5A	
			1.0A
480 VAC	0.5A		
		0.2A	
			0.2A

Lowest Load for Bifurcated Contacts

(Current - A, Resistive unless otherwise noted)

Voltage	Make	Carry	Break
5 VDC	0.1A		
		0.1A	
			0.1A
12 VDC	0.075A		
		0.075A	
			0.075A
28 VDC	0.01A		
		0.01A	
			0.01A
48 VDC	0.005A		
		0.005A	
			0.005A
125VDC	0.005A		
		0.005A	
			0.005A
250 VDC	0.001A		
		0.001A	
			0.001A
120 VAC	0.01A		
		0.01A	
			0.01A
240 VAC	0.005A		
		0.005A	
			0.005A
480 VAC	0.001A		
		0.001A	
			0.001A

Contact ratings which include an “*” are UL Approved.

Use Code “69” for blowout magnet when switching voltages above 40VDC. (NOT UL OR CSA APPROVED)

Use Code “33” for bifurcated contacts when switching low level current below 50mA.

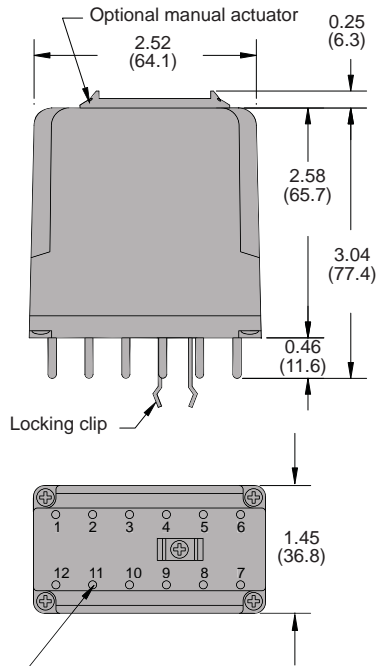
219 Series - Industrial Relays

DPDT, Up To 6PST, 10 Amps

Outline Dimensions

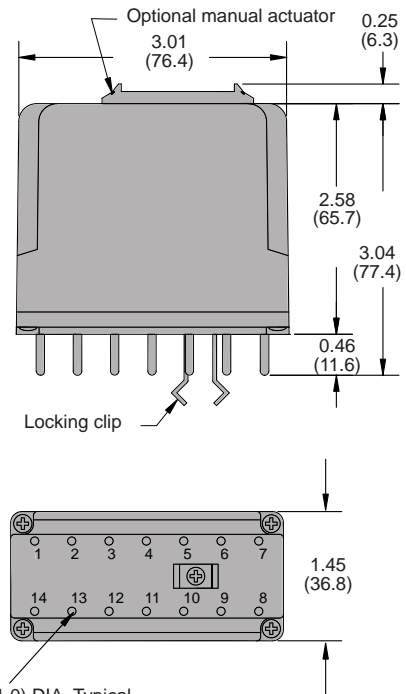
Dimensions Shown in inches & (millimeters)

12 Pin Plug-in



.10 x .43 (2.5 x 11.0) DIA. Typical of all pin dimensions

14 Pin Plug-in



.10 x .43 (2.5 x 11.0) DIA. Typical of all pin dimensions

