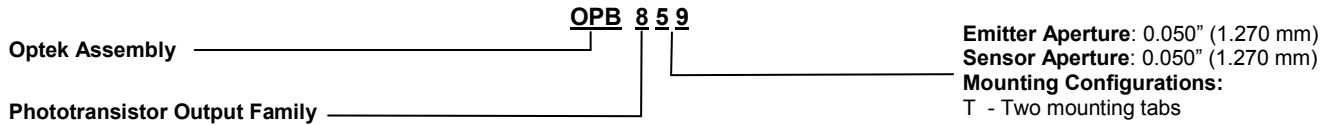


# Slotted Optical Switch

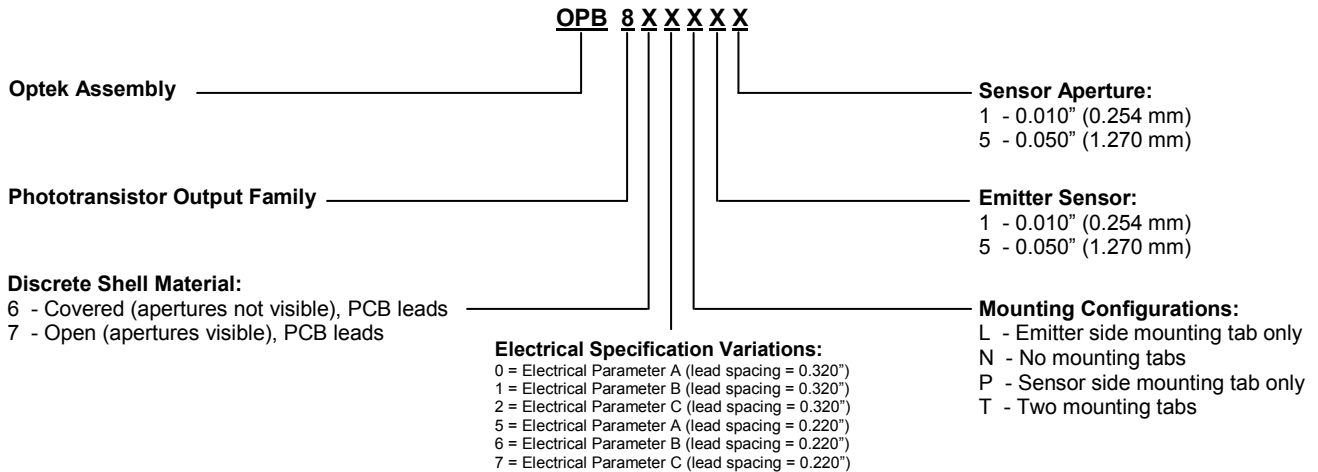
Series: OPB355, OPB360, OPB370, OPB380  
 OPB859, OPB860, OPB870, OPB880, OPB890



## Part Number Guide — OPB859



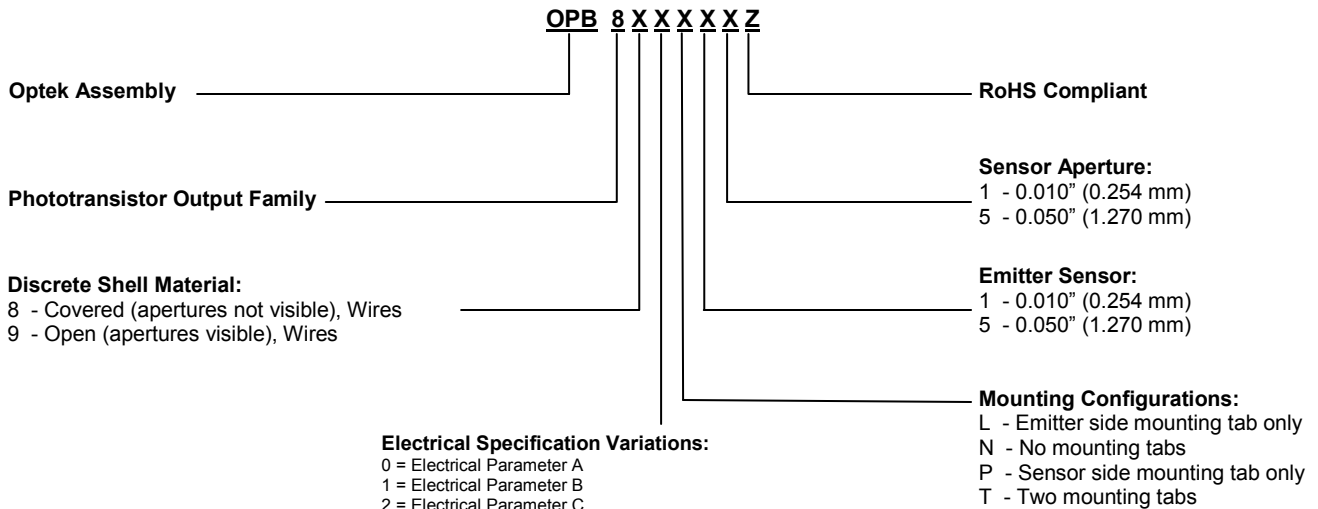
## Part Number Guide — OPB860 / OPB870



**Electrical Specification Variations:**  
 0 = Electrical Parameter A (lead spacing = 0.320")  
 1 = Electrical Parameter B (lead spacing = 0.320")  
 2 = Electrical Parameter C (lead spacing = 0.320")  
 5 = Electrical Parameter A (lead spacing = 0.220")  
 6 = Electrical Parameter B (lead spacing = 0.220")  
 7 = Electrical Parameter C (lead spacing = 0.220")

Note: Assemblies with dual 0.010" apertures are currently available with electrical parameter "A" only.

## Part Number Guide — OPB880 / OPB890



**Electrical Specification Variations:**  
 0 = Electrical Parameter A  
 1 = Electrical Parameter B  
 2 = Electrical Parameter C

NOTE: Assemblies with dual 0.010" apertures are currently available with electrical parameter "A" only.  
 Wires = 26AWG - 24" long. UL approved.

General Note  
 TT Electronics reserves the right to make changes in product specification without notice or liability. All information is subject to TT Electronics' own data and is considered accurate at time of going to print.

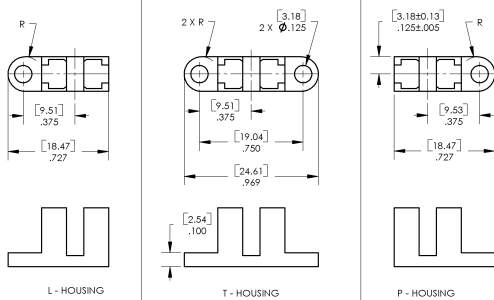
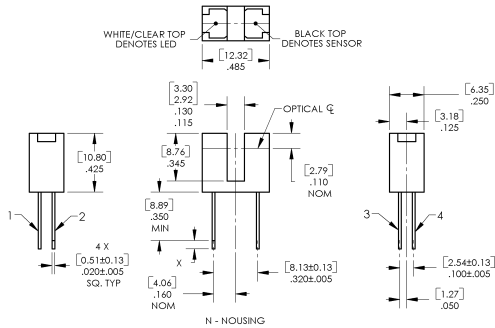
OPTEK Technology, Inc.  
 1645 Wallace Drive, Carrollton, TX 75006 | Ph: +1 972 323 2200  
 www.optekinc.com | www.ttelectronics.com

# Slotted Optical Switch

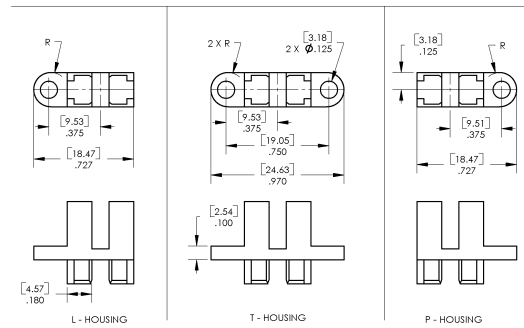
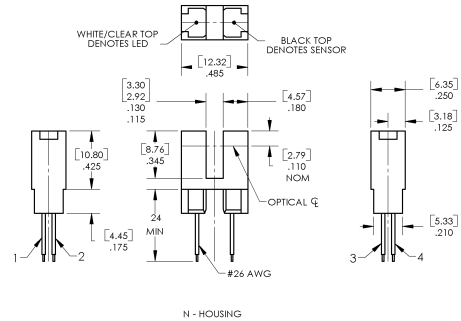
Series: OPB355, OPB360, OPB370, OPB380  
OPB859, OPB860, OPB870, OPB880, OPB890



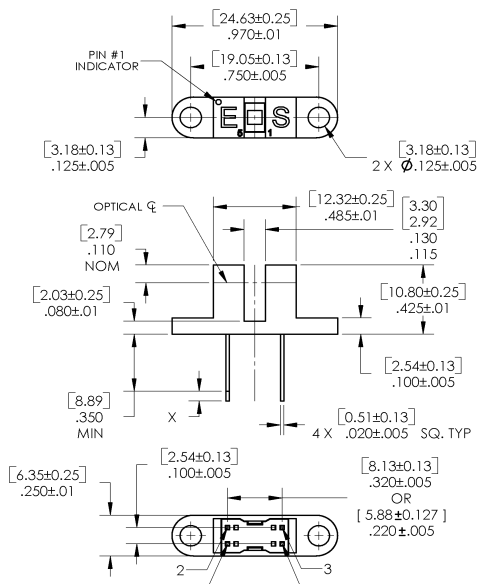
## OPB355, OPB360, OPB370



## OPB380, OPB390

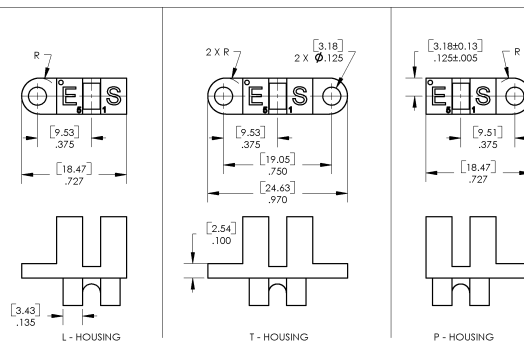
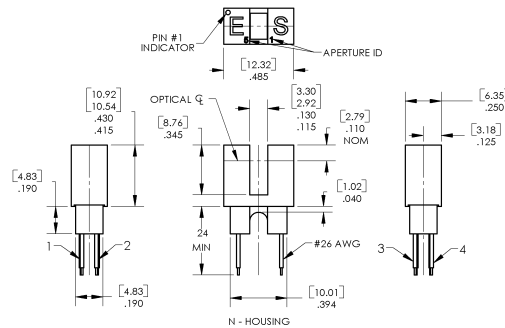


## OPB859



Pin #	Emitter	Pin #	Transistor/Diode
1	Anode	3	Collector / Anode
2	Cathode	4	Emitter / Cathode

## OPB880, OPB890



[ MILLIMETERS ]  
DIMENSIONS ARE IN:  
INCHES

General Note  
TT Electronics reserves the right to make changes in product specification without notice or liability. All information is subject to TT Electronics' own data and is considered accurate at time of going to print.

OPTEK Technology, Inc.  
1645 Wallace Drive, Carrollton, TX 75006  
Ph: +1 972 323 2200  
www.optekinc.com | www.ttelectronics.com