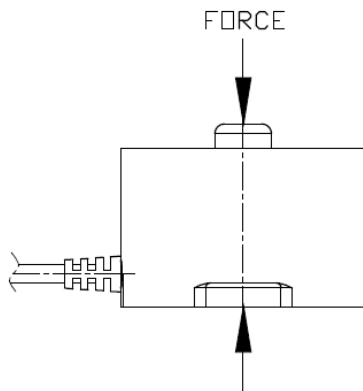
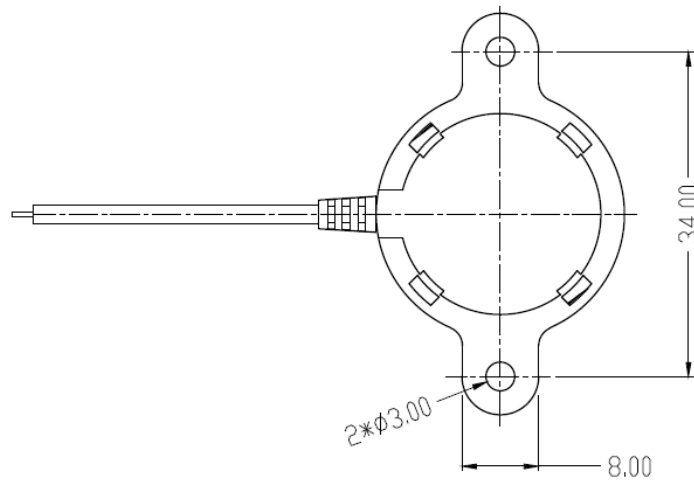
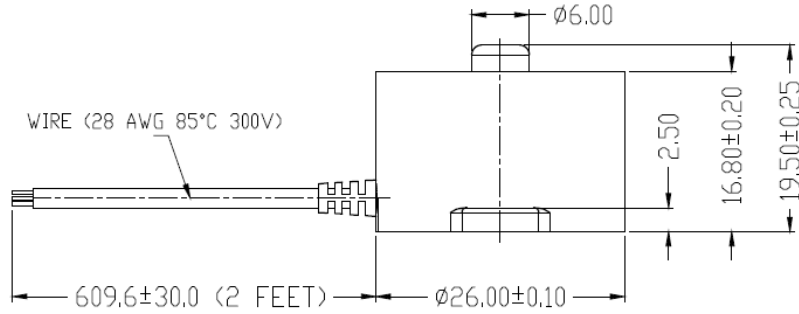


**DIMENSIONS**

FC2201:  
FC2211:  
FC2231:

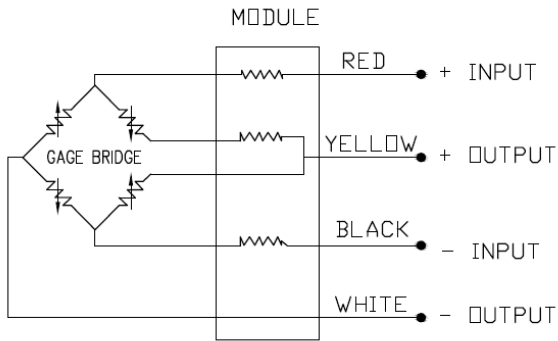


**WIRE NOTE:**

P/N	WIRE CONNECTIONS
FC2201 FC2211	4 CORE WIRE (28 AWG 85°C 300V)
	1: YELLOW: +OUTPUT
	2: WHITE: -OUTPUT
	3: RED: +INPUT
FC2231	4: BLACK: -INPUT
	3 CORE WIRE (28 AWG 85°C 300V)
	1: YELLOW: +OUTPUT
	2: RED: +INPUT
	3: BLACK: COMMON

## CONNECTIONS

FC2201:  
FC2211:  
MILLIVOLT OUTPUT VERSION



FC2231:  
AMPLIFIED OUTPUT VERSION

