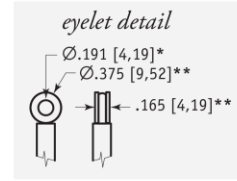
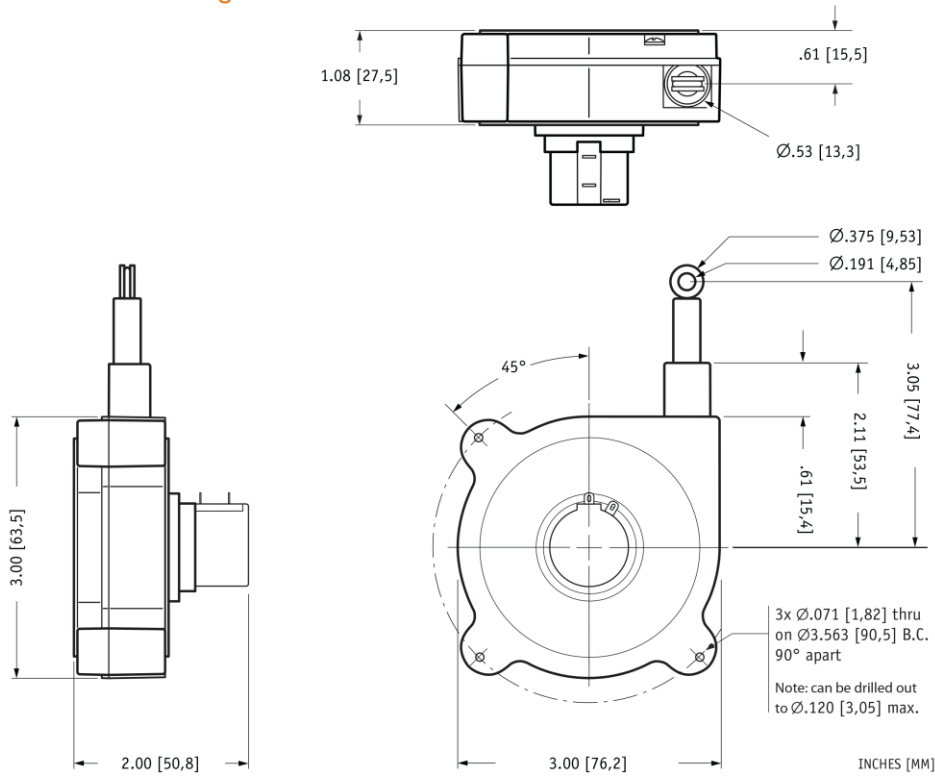
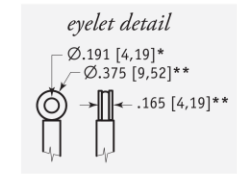
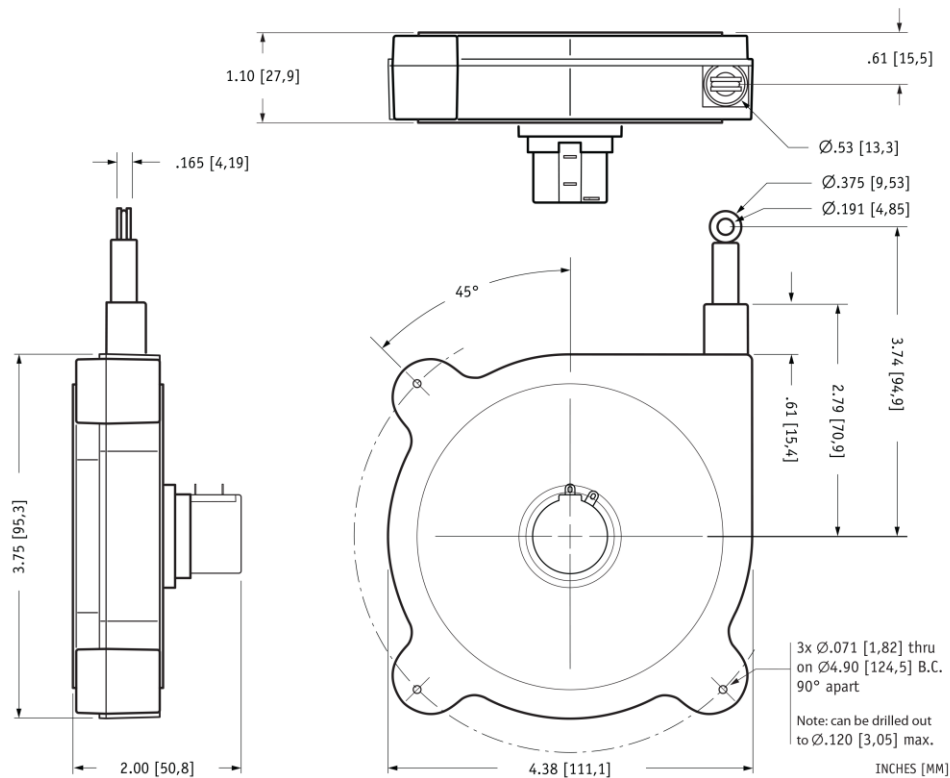


SG1-80 w/o Mounting Bracket:



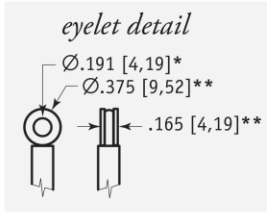
*tolerance = +.005 -.001 [+13 -.03]
 **tolerance = +.005 -.005 [+13 -.13]

SG1-120 w/o Mounting Bracket:

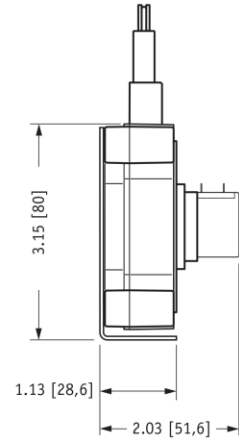
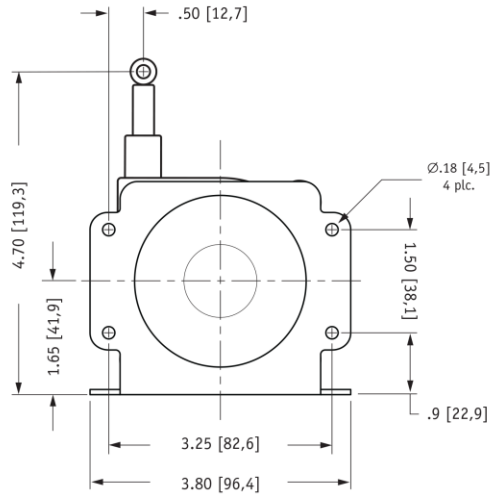
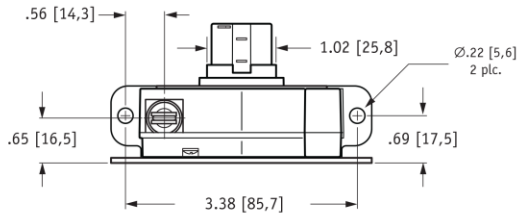


*tolerance = +.005 -.001 [+13 -.03]
 **tolerance = +.005 -.005 [+13 -.13]

SG1-80 w/ Mounting Bracket:

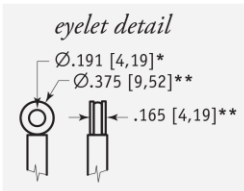


*tolerance = +.005 -.001 [+13 -.03]
 **tolerance = +.005 -.005 [+13 -.13]

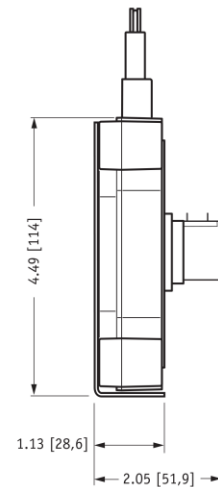
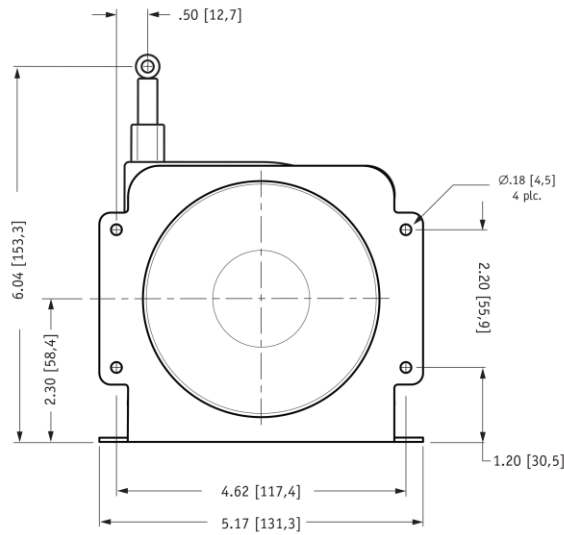
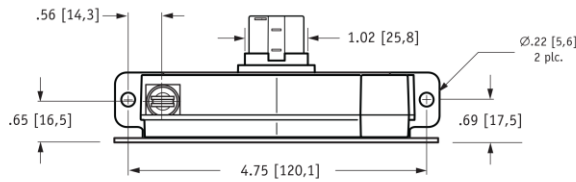


INCHES [MM]

SG1-120 w/ Mounting Bracket:



*tolerance = +.005 -.001 [+13 -.03]
 **tolerance = +.005 -.005 [+13 -.13]



INCHES [MM]