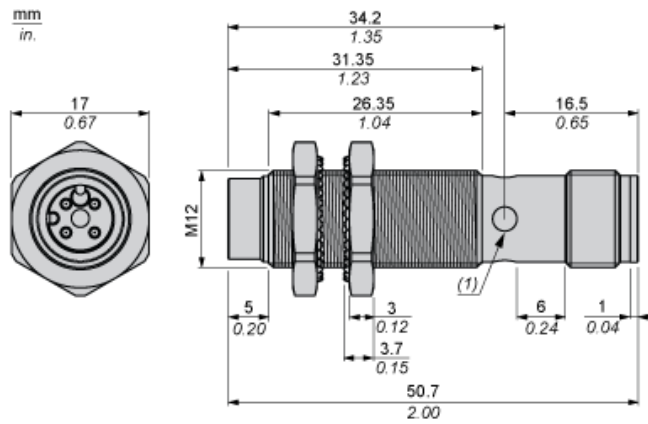


Dimensions

With M12 Connector



(1) Yellow LED (Output state indication)

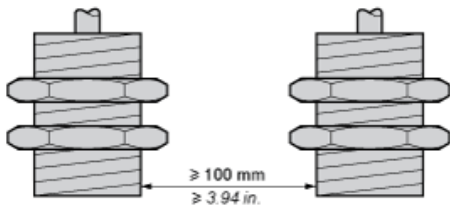
---

Mounting and Clearance

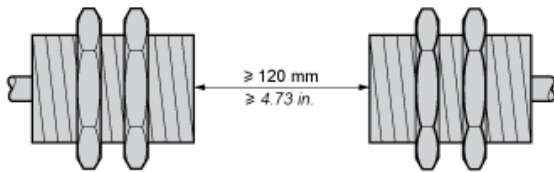
---

Minimum Mounting Distances

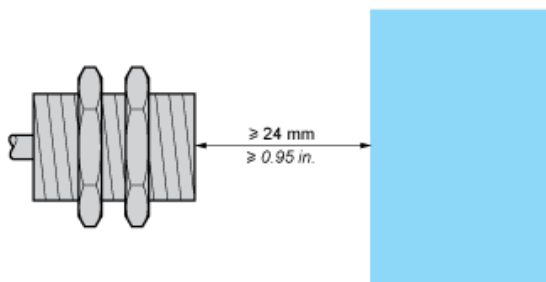
Side by Side



Face to Face



Facing a Metal Object



Mounted in a Metal Support

