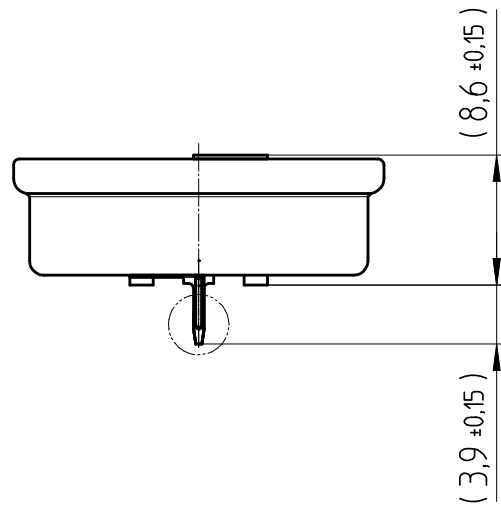
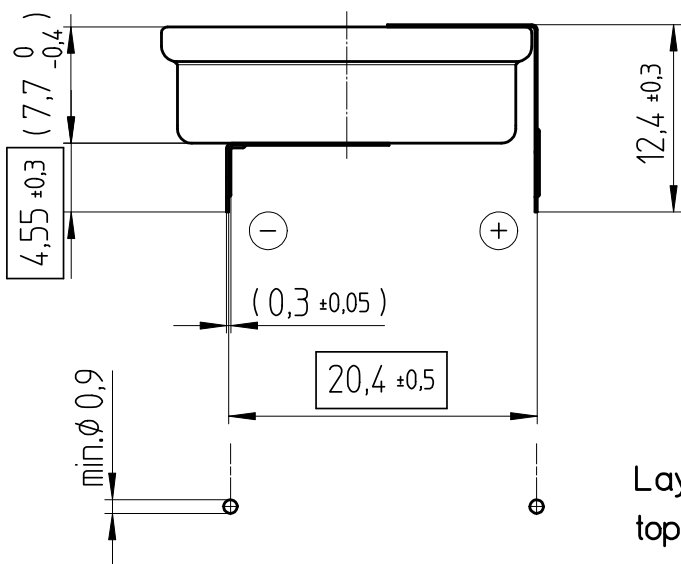
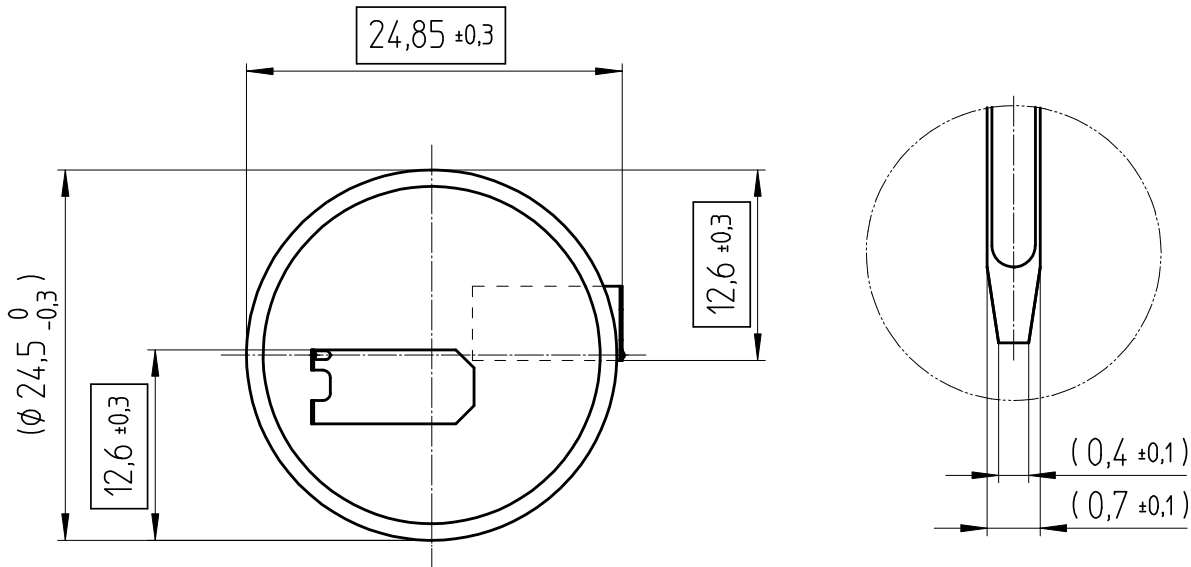


Art.-Number: 701100




Layout  
top view

- Samples can deviate in the execution from the serie.

Tab material: Stainless steel

All framed values will be used for dimension checking !

- Dimensions and tolerances can be specified only after the testing of the devices for the mass production definitely

Rev.	○			Rev.	○			Customer's Approval			
Rev.	○			Rev.	○			Date			
Rev.	○			Rev.	○			Signature			
Titel: <b>CR2477NFH-LF</b>								Scale 2:1	Drawn	06.01.05	SRi
									Checked	07.02.05	MHo
									Approved		
<b>renata</b>  batteries								CH-4452 Itingen Switzerland		3.8738.4-	