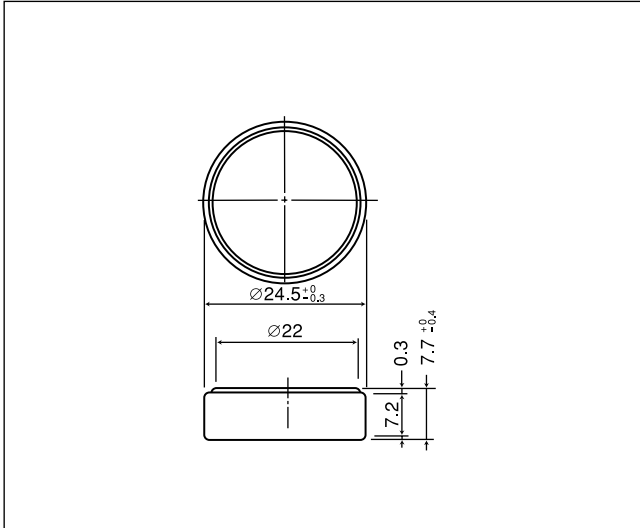


CR2477

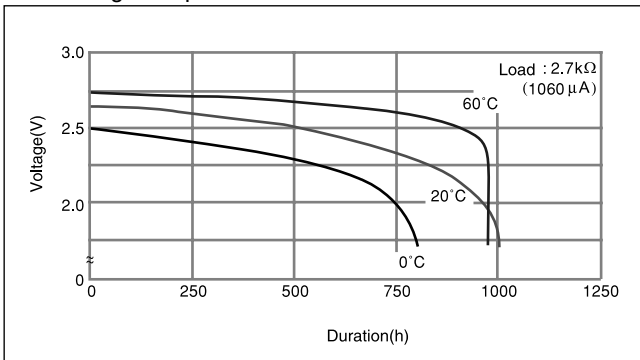
■ Dimensions(mm)



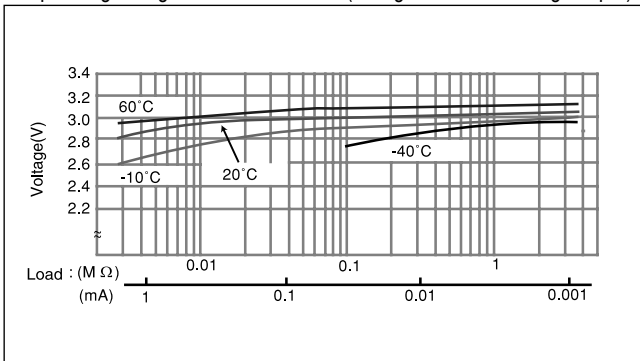
■ Specification

| | |
|----------------------------------|------------|
| Nominal voltage(V) | 3 |
| Nominal capacity(mAh) | 1,000 |
| Continuous drain(mA) | 0.2 |
| Operating temperature(°C) | -30 to +60 |

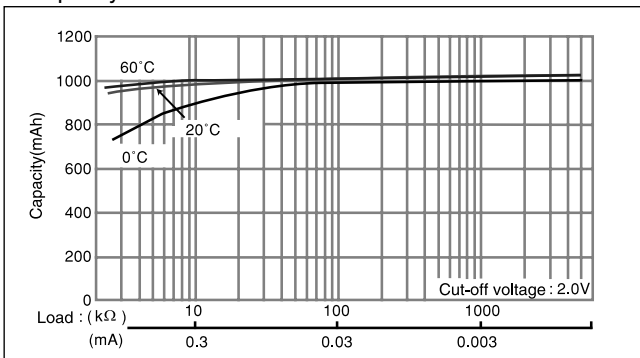
■ Discharge temperature characteristics



■ Operating voltage vs. load resistance(voltage at 50% discharge depth)

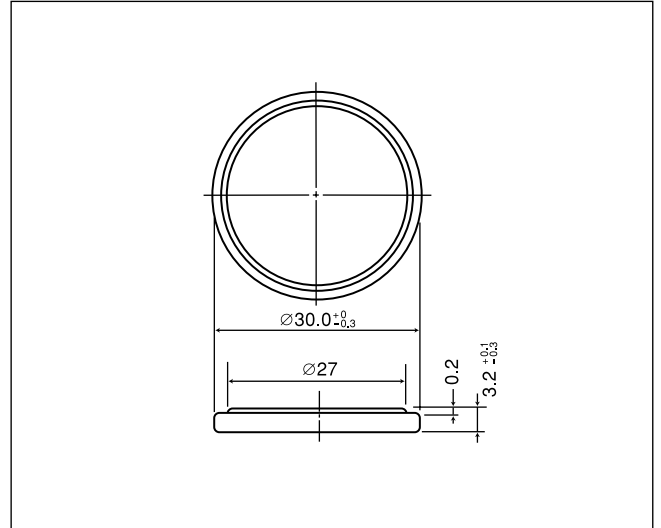


■ Capacity vs. load resistance



CR3032

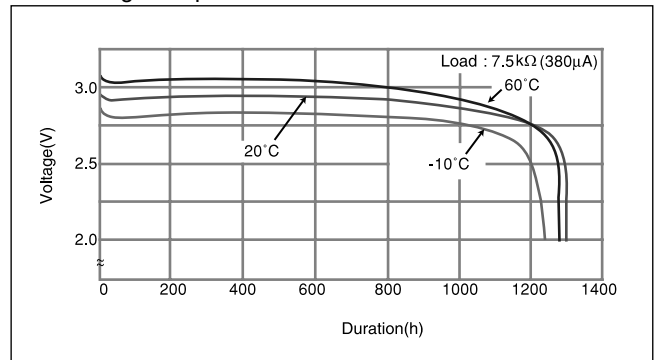
■ Dimensions(mm)



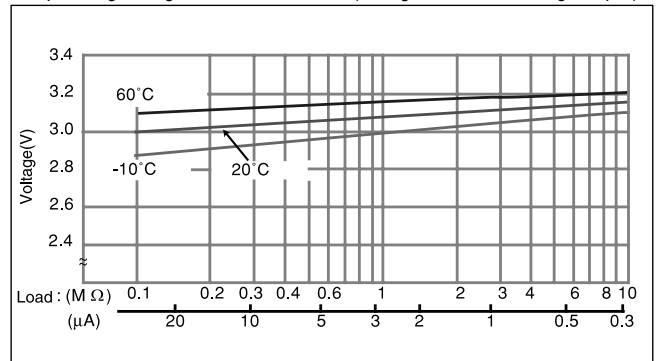
■ Specification

| | |
|----------------------------------|------------|
| Nominal voltage(V) | 3 |
| Nominal capacity(mAh) | 500 |
| Continuous drain(mA) | 0.2 |
| Operating temperature(°C) | -30 to +60 |

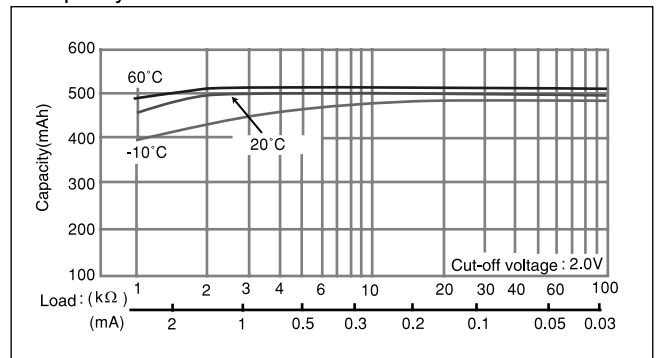
■ Discharge temperature characteristics



■ Operating voltage vs. load resistance(voltage at 50% discharge depth)



■ Capacity vs. load resistance



* The data in this document are for descriptive purposes only and are not intended to make or imply any guarantee or warranty.