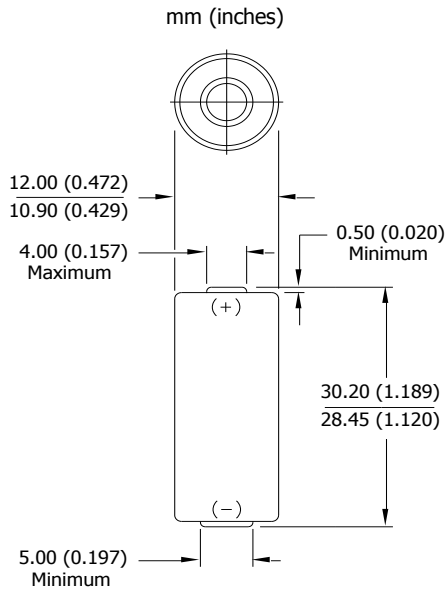


# ENERGIZER E90

**N**



## Typical Dimensions

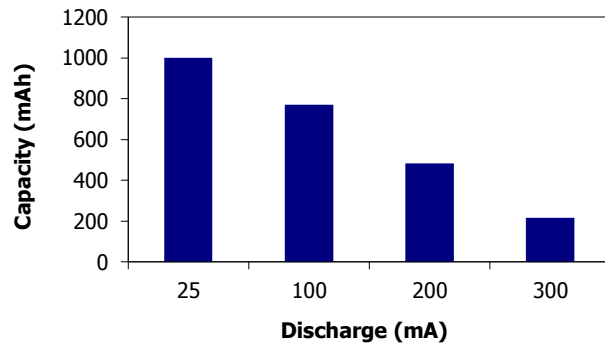


## Specifications

<b>Classification:</b>	Alkaline
<b>Chemical System:</b>	Zinc-Manganese Dioxide (Zn/MnO <sub>2</sub> ) No added mercury or cadmium
<b>Designation:</b>	ANSI-910A, IEC-LR1
<b>Nominal Voltage:</b>	1.5 volts
<b>Nominal IR:</b>	150 to 300 milliohms (fresh)
<b>Operating Temp:</b>	-18°C to 55°C (0°F to 130°F)
<b>Typical Weight:</b>	9.0 grams (0.3 oz.)
<b>Typical Volume:</b>	3.3 cubic centimeters (0.2 cubic inch)
<b>Jacket:</b>	Plastic Label
<b>Terminal:</b>	Flat Contact

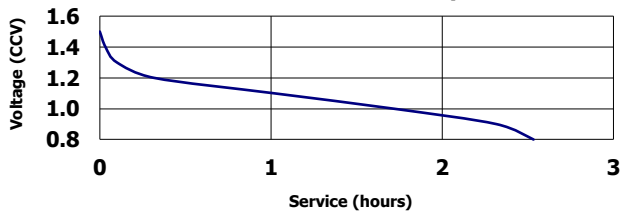
## Milliamp-Hours Capacity

Continuous discharge to 0.8 volts at 21°C

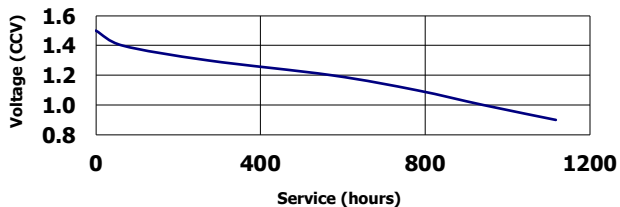


## Industry Standard Tests (21°C)

**LIGHTING**  
5.1 ohm 5 min/day

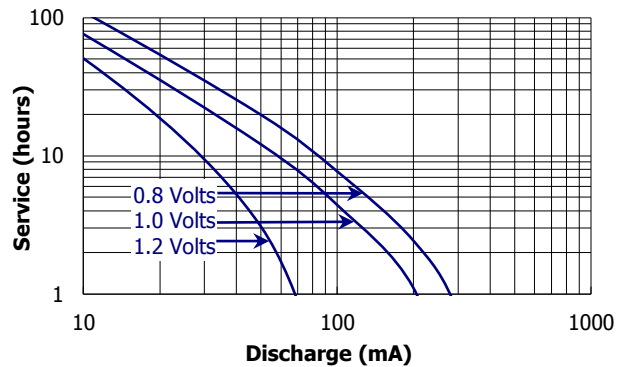


**PAGER**  
3K/10 ohm 5 sec/hr 24 PPD/1 RPD



## Constant Current Performance

Typical Characteristics (21°C)



**Pack Quantity** : 2  
**Manufacturers Part Number** : 629563