

# DURACELL®

DURALOCK  
POWER PRESERVE™



## ULTRA POWER

# MX1400

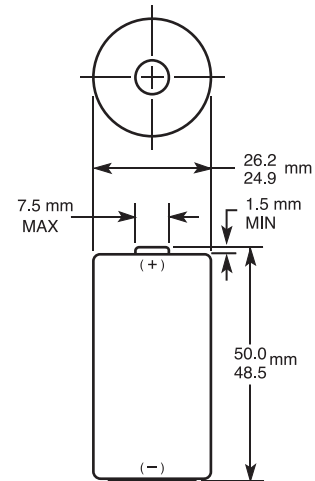
## Size: C (LR14)

Alkaline-Manganese Dioxide Battery

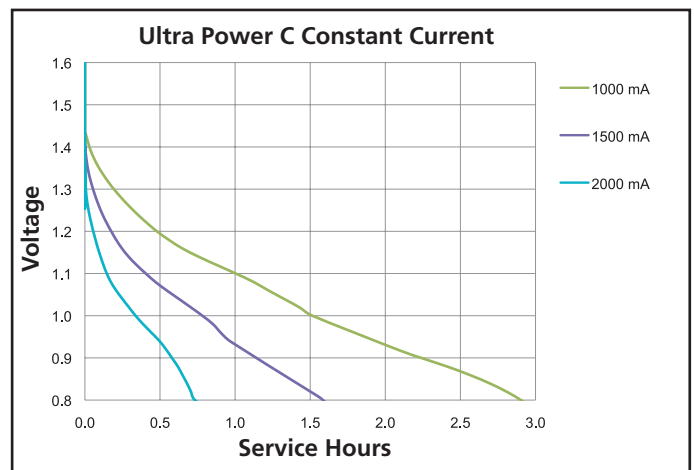
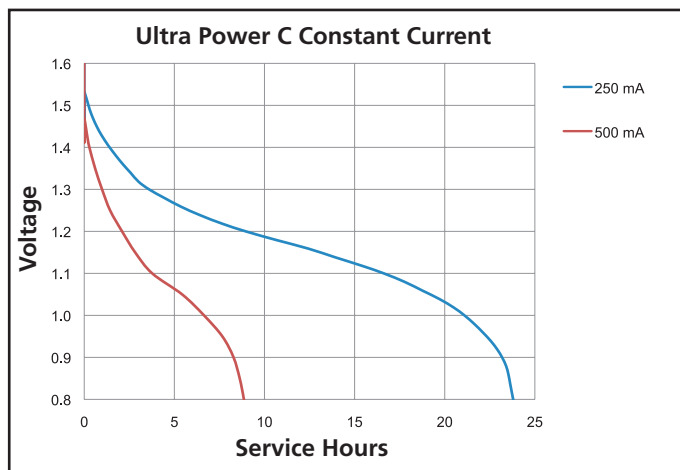
Zn/MnO<sub>2</sub>



Nominal voltage	1.5 V
Impedance	130 m-ohm @ 1 kHz
Typical weight	71 g (2.4 oz)
Typical volume	26.9 cm <sup>3</sup> (1.6 in <sup>3</sup> )
Terminals	Flat
Storage temperature range	5°C to 30°C (41°F to 86°F)
Operating temperature range	-20°C to 54°C (-4°F to 130°F)
Designation	IEC: LR14



Dimensions shown are IEC standards



# DURACELL®

BATTERIES

Berkshire Corporate Park  
Bethel, CT. 06801 U.S.A.  
Telephone: Toll-free 1-800-544-5454  
www.duracell.com

Delivered capacity is dependent on the applied load, operating temperature and cut-off voltage. Please refer to the charts and discharge data shown for examples of the energy/service life that the battery will provide for various load conditions.

# DURACELL®

DURALOCK  
POWER PRESERVE™



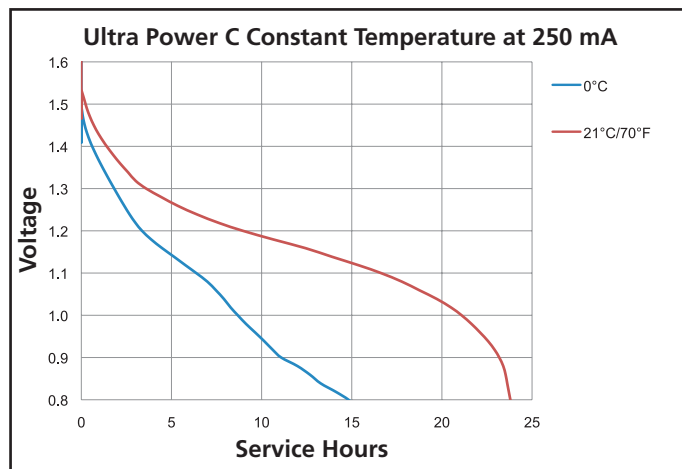
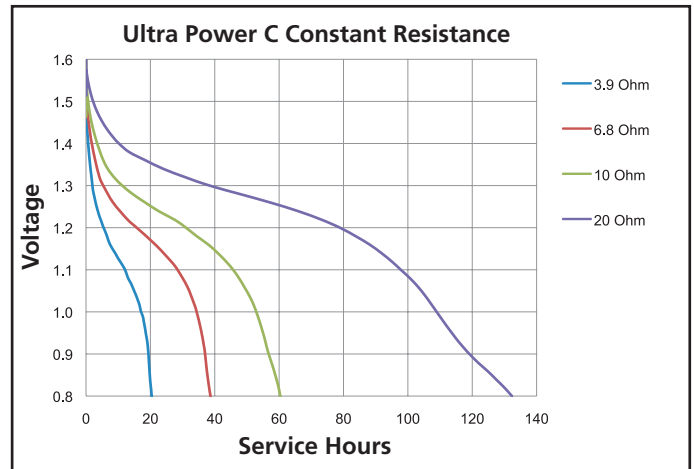
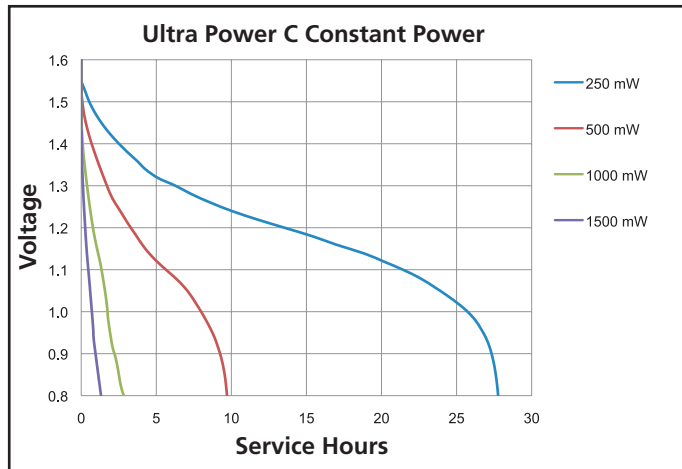
## ULTRA POWER

# MX1400

## Size: C (LR14)

Alkaline-Manganese Dioxide Battery

Zn/MnO<sub>2</sub>



# DURACELL®

BATTERIES

Berkshire Corporate Park  
Bethel, CT. 06801 U.S.A.  
Telephone: Toll-free 1-800-544-5454  
www.duracell.com

Delivered capacity is dependent on the applied load, operating temperature and cut-off voltage. Please refer to the charts and discharge data shown for examples of the energy/service life that the battery will provide for various load conditions.