

# DURACELL®

DURALOCK  
POWER PRESERVE™



## PLUS POWER

# MN1400

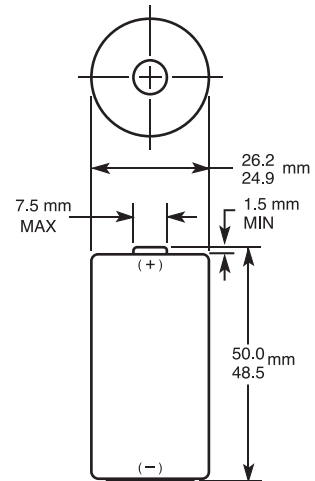
## Size: C (LR14)

Alkaline-Manganese Dioxide Battery

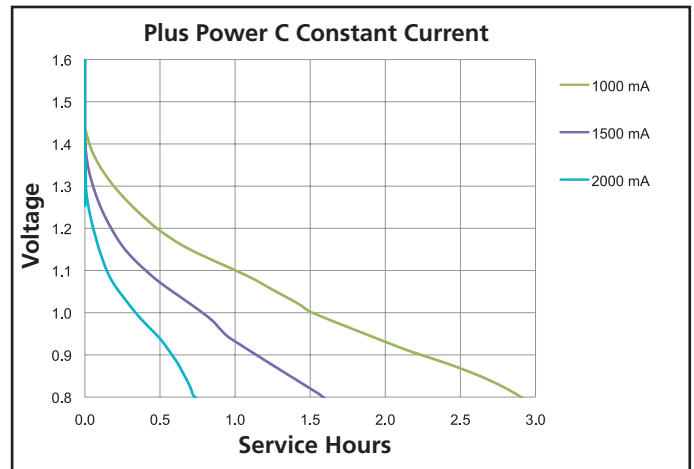
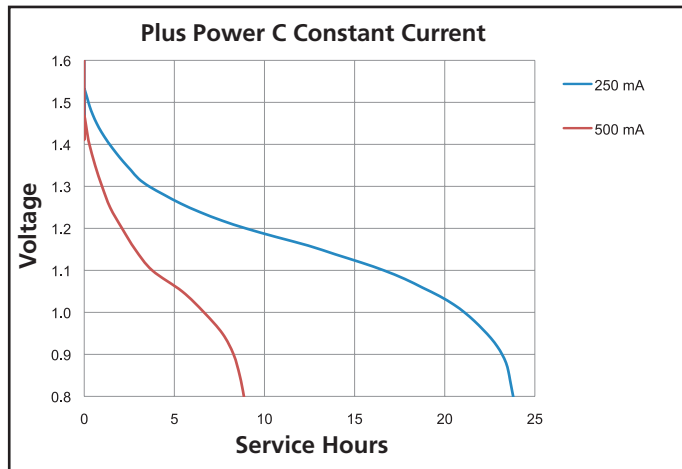
Zn/MnO<sub>2</sub>



|                             |   |
|-----------------------------|---|
| Nominal voltage             | 1.5 V                                       |
| Impedance                   | 150 m-ohm @ 1 kHz                           |
| Typical weight              | 69 g (2.4 oz)                               |
| Typical volume              | 26.9 cm <sup>3</sup> (1.6 in <sup>3</sup> ) |
| Terminals                   | Flat  |
| Storage temperature range   | 5°C to 30°C (41°F to 86°F)                  |
| Operating temperature range | -20°C to 54°C (-4°F to 130°F)               |
| Designation                 | IEC: LR14                                   |



Dimensions shown are IEC standards



# DURACELL®

BATTERIES

Berkshire Corporate Park  
Bethel, CT. 06801 U.S.A.  
Telephone: Toll-free 1-800-544-5454  
www.duracell.com

Delivered capacity is dependent on the applied load, operating temperature and cut-off voltage. Please refer to the charts and discharge data shown for examples of the energy/service life that the battery will provide for various load conditions.

# DURACELL®

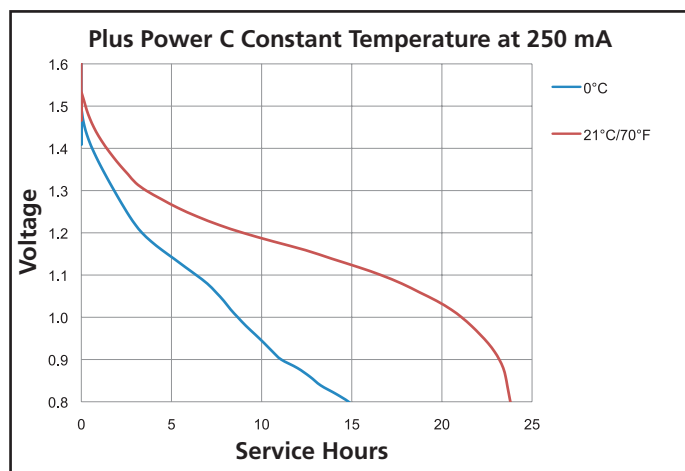
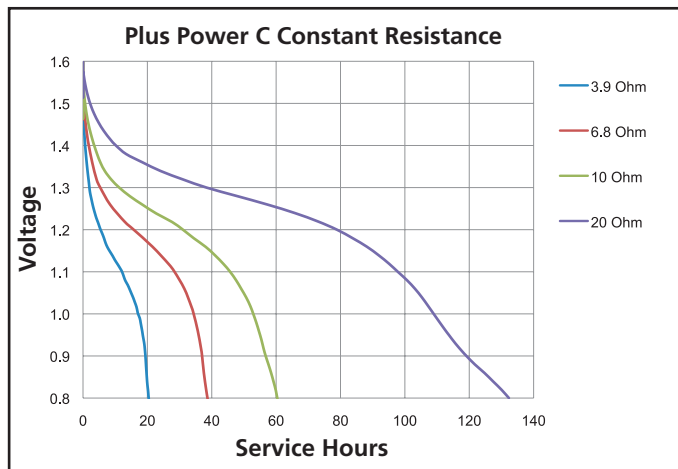
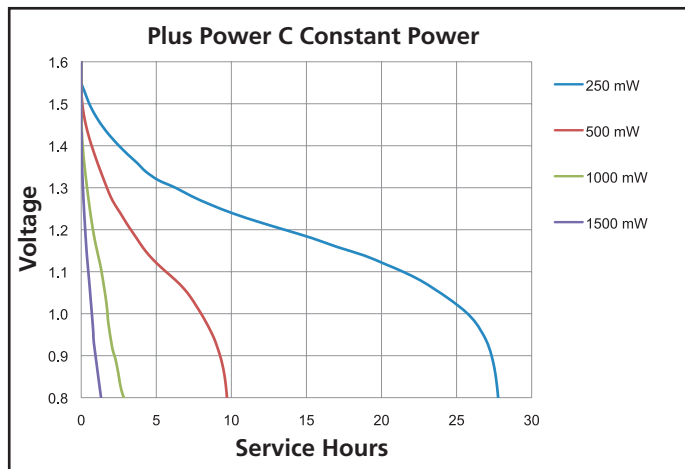


## PLUS POWER

# MN1400 Size: C (LR14)

Alkaline-Manganese Dioxide Battery

Zn/MnO<sub>2</sub>



# DURACELL®

BATTERIES

Berkshire Corporate Park  
Bethel, CT. 06801 U.S.A.  
Telephone: Toll-free 1-800-544-5454  
www.duracell.com

Delivered capacity is dependent on the applied load, operating temperature and cut-off voltage. Please refer to the charts and discharge data shown for examples of the energy/service life that the battery will provide for various load conditions.