

**MAXI® BLADE FUSE RATED 32V**



**Also available:  
MAXI Sn Fuse  
(tin plated)**



**Specifications**

Voltage Rating:	32 VDC
Interrupting Ratings:	1000A @ 32 VDC
Operating Temperature Range:	-40°C to +125°C (Sn=-40°C to +105°C)
Terminals:	Ag plated zinc alloy
Housing Material:	PA66
Complies with:	SAE J 1888 ISO 8820-3:2002(E) (Sn Fuse not UL recognized)

**Ordering Information**

Part Number	Package Size
0299xxx.ZXNV	1200
0299xxx.L	50
0299xxx.TXN	10
MAXI Sn Fuse	
0299xxx.ZXT	1200

**Description**

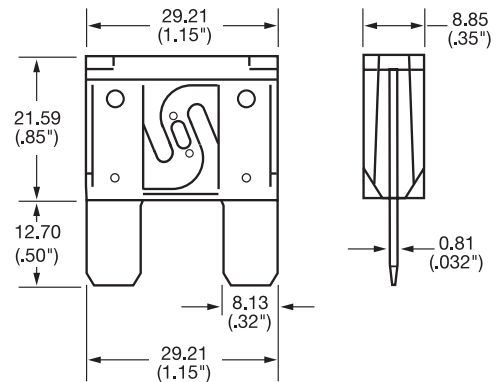
The MAXI® fuse uses "Diffusion Pill Technology" to provide predictable time delay characteristics and low heat dissipation.

**Time-Current Characteristics**

% of Rating	Opening Time Min / Max (s)
100	360,000 s / -
135	60 s / 1,800 s
200	2 s / 60 s
350	0.20 s / 7 s
600	0.040 s / 1 s

**Dimensions**

Dimensions in mm

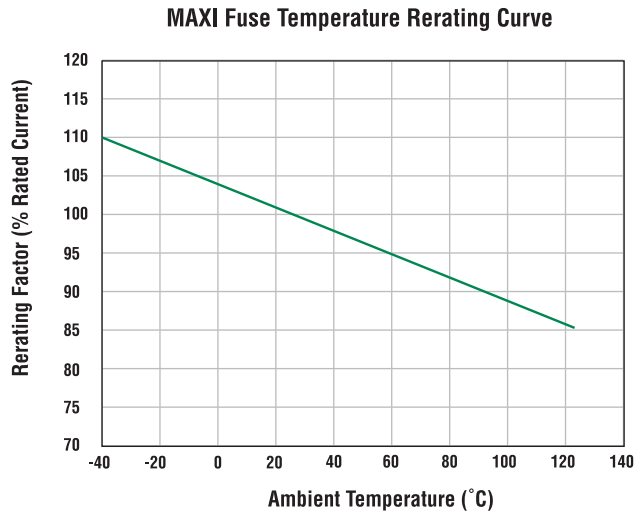


Corresponding holder see Section "Fuse Holders."

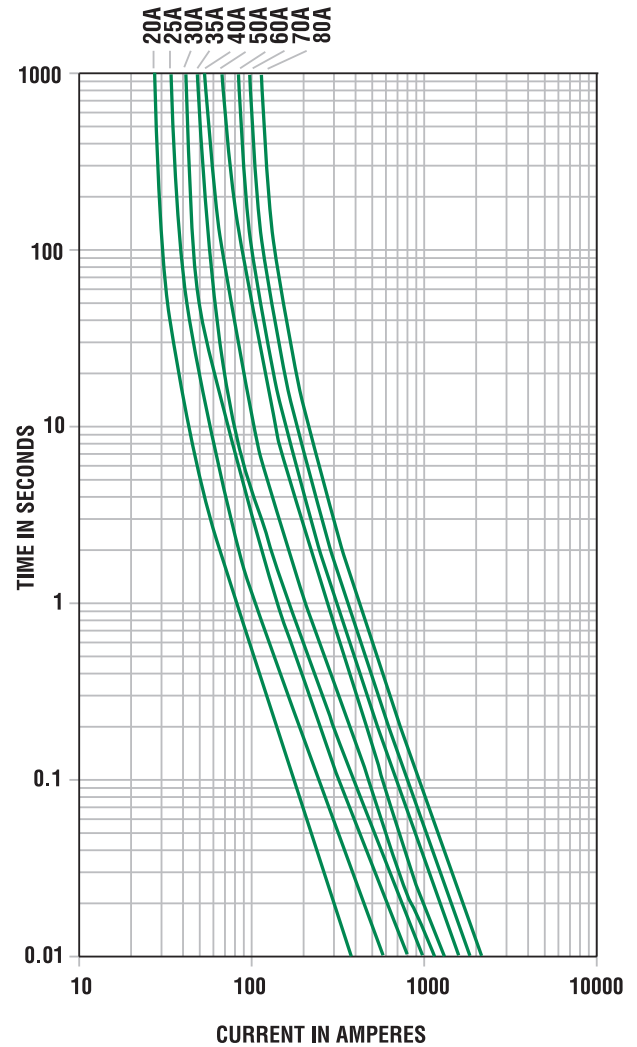
# MAXI<sup>®</sup> BLADE FUSE RATED 32V



## Temperature Derating Curve



## Time-Current Characteristic Curves



## Ratings

Part Number	Current Rating (A)	Housing Material Color	Typ. Voltage Drop (mV)	Cold Resistance (mΩ)	I <sup>2</sup> t (A <sup>2</sup> s)
0299020_	20		76	3.10	1100
0299025_	25		75	2.39	2087
0299030_	30		77	1.95	4070
0299035_	35		75	1.71	6032
0299040_	40		75	1.42	8450
0299050_	50		73	1.10	11300
0299060_	60		77	0.89	15300
0299070_	70		61	0.64	21200
0299080_	80		62	0.54	43600