



Industrial



Test

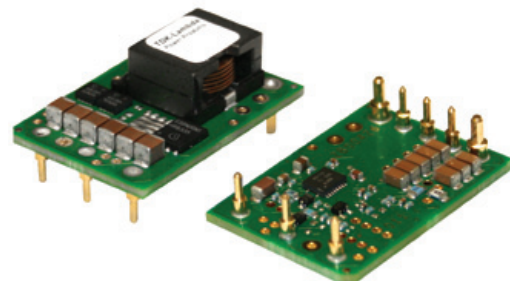


Comm



Broadcast

250W, 9-53V Input Non-isolated DC-DC Converter



Features	Benefits
• 250W 20A in a 1/16th brick package	• Very High Power Density
• Very high Efficiency up to 97%	• Easier Thermal Management
• Wide Output Adjustment 3.3 to 15V	• Address Multiple Applications
• Minimal External Components Needed	• Less Board Area Required

Specification		
Model		i6A4W
DC Output Voltage	V	3.3 to 15
DC Output Power (max)	W	250
DC Input Voltage	V	9 to 53 (Turn on at 10V or greater)
Efficiency	%	90 - 97
Output Voltage Tolerance	%	±4
Switching Frequency	kHz	400
Line Regulation	%	0.4
Load Regulation	%	1.2
External Load Capacitance	uF	0 - 1500
Output Ripple and Noise	mVpp	20
Overcurrent Protection	A	27
Remote On / Off	-	See options table
Remote Sense	-	(+) Sense, compensating up to 5% of output voltage
Power Good	-	Optional (Full Feature Version)
Sync & Sequencing	-	Optional (Full Feature Version)
Operating Temperature	°C	-40°C to 125°C (see thermal data on website)
Storage Temperature	°C	-55°C to 125°C
Safety Agency Certifications	-	Pending
Weight	gms	15
Size (LxWxH)	mm	33 x 22.9 x 12.7
Warranty	yrs	3

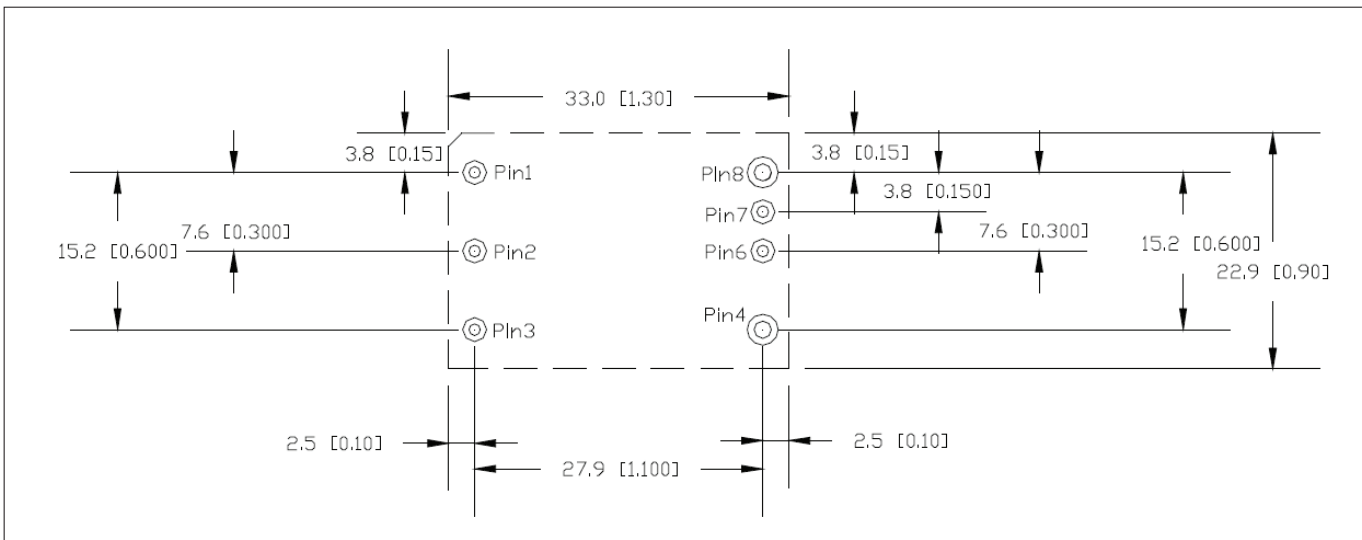
Model Selector

Input Model	Input Voltage (V)	Output Current (A)	Output Voltage (V)	Positive Logic On/Off	Negative Logic On/Off	Full Feature
i6A4W20A033V-000-R	9 to 53	20	3.3 to 15	Yes	-	
i6A4W20A033V-001-R	9 to 53	20	3.3 to 15	-	Yes	
i6A4W20A033V-002-R	9 to 53	20	3.3 to 15	Yes	-	Yes
i6A4W20A033V-003-R	9 to 53	20	3.3 to 15	-	Yes	Yes

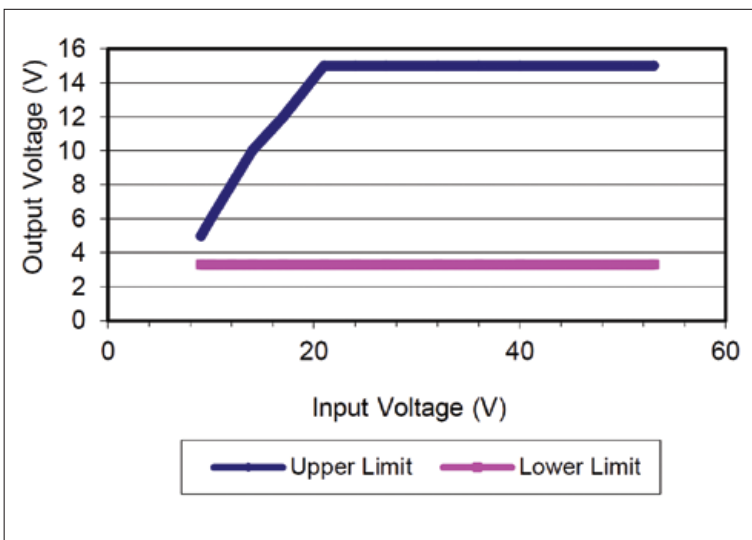
Preferred

Note: Output voltage cannot exceed input voltage (see graph below).

Outline Drawing i6A4W Series



Output Voltage Vs Input Voltage Operating Range



Pin Assignment

PIN	Function	PIN	Function
1	VIN (+)	7	SENSE (+)
2	ON / OFF	8	VOUT (+)
3	VIN (-)	32	Sync (Option)
4	VOUT (-)	33	MS (Option)
5	PWR GOOD (Option)	34	SEQ (Option)
6	TRIM		



TDK-Lambda France SAS

ZAC des Delaches
CS 41077
9 rue Thuillere
91978 Villebon Courtaboeuf
France
Tel: +33 1 60 12 71 65
Fax: +33 1 60 12 71 66
france@tdk-lambda.com
www.fr.tdk-lambda.com



Italy Sales Office

Via dei Lavoratori 128/130
20092 Cinisello Balsamo (MI)
Italy
Tel: +39 02 61 29 38 63
Fax: +39 02 61 29 09 00
info.italia@it.tdk-lambda.com
www.it.tdk-lambda.com



Netherlands

info@nl.tdk-lambda.com
www.nl.tdk-lambda.com



TDK-Lambda Germany GmbH

Karl-Bold-Strasse 40
77855 Achern
Germany
Tel: +49 7841 666 0
Fax: +49 7841 5000
info.germany@de.tdk-lambda.com
www.de.tdk-lambda.com



Austria Sales Office

Aredstrasse 22
2544 Leobersdorf
Austria
Tel: +43 2256 655 84
Fax: +43 2256 645 12
info.germany@de.tdk-lambda.com
www.de.tdk-lambda.com



Switzerland Sales Office

Bahnhofstrasse 50
8305 Dietlikon
Switzerland
Tel: +41 44 850 53 53
Fax: +41 44 850 53 50
info@de.tdk-lambda.com
www.de.tdk-lambda.com



TDK-Lambda UK Ltd.

Kingsley Avenue
Ilfracombe
Devon EX34 8ES
United Kingdom
Tel: +44 (0) 12 71 85 66 66
Fax: +44 (0) 12 71 86 48 94
powersolutions@uk.tdk-lambda.com
www.uk.tdk-lambda.com



TDK-Lambda Ltd.

Kibbutz
Givat Hashlosa 48800
Israel
Tel: +9 723 902 4333
Fax: +9 723 902 4777
info@tdk-lambda.co.il
www.tdk-lambda.co.il



C.I.S.

Commercial Support:
Tel: +7 (495) 665 2627
Technical Support:
Tel: +7 (812) 658 0463
info@tdk-lambda.ru
www.tdk-lambda.ru

Local Distribution

