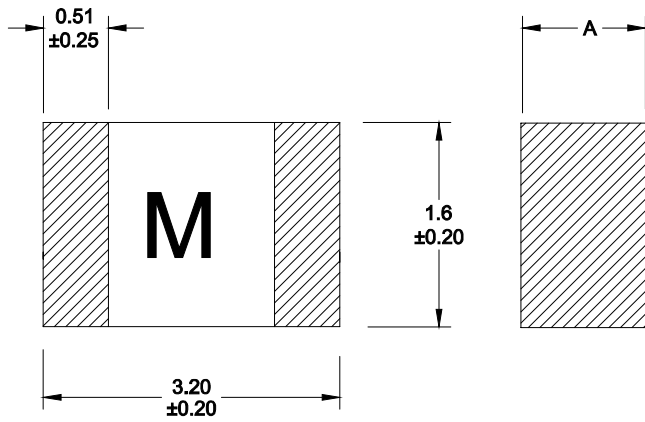
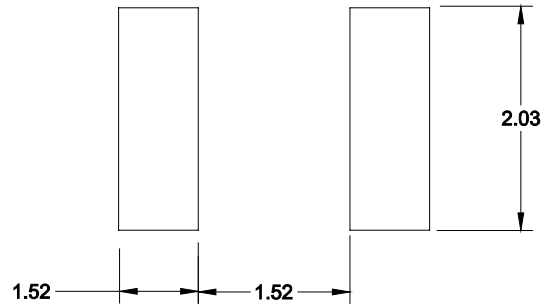


Dimensions—mm



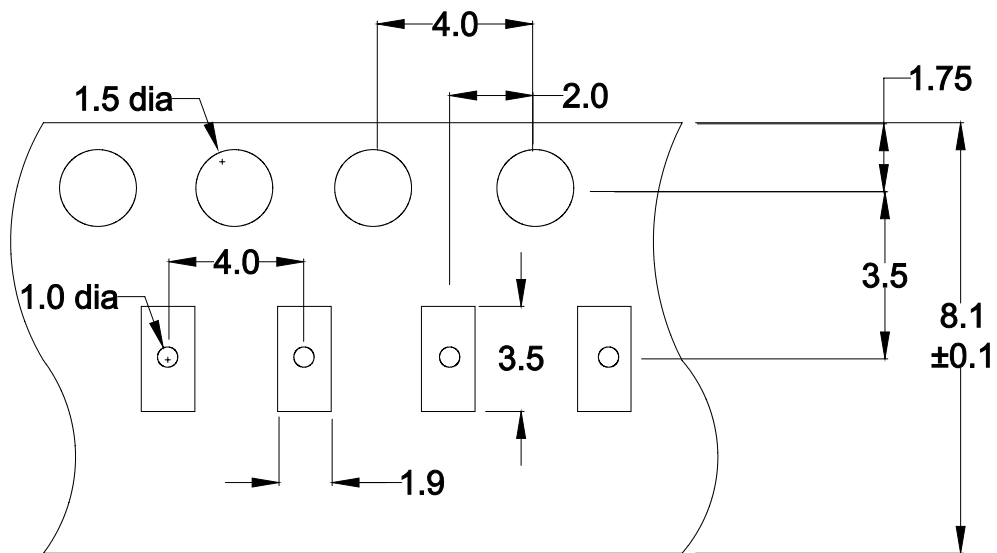
Recommended Pad Layout



Dimension A	
250 mA to 500 mA	750 mA to 30 A
0.89 +0.20/-0.15	0.65 +0.20/-0.15

Packaging information- mm

Supplied in tape and reel packaging, 3000 parts per 7" diameter reel.



User Direction of Feed →

I<sup>2</sup>t vs. time curve

