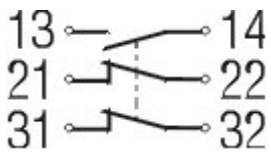


- Length of sensor

30 mm

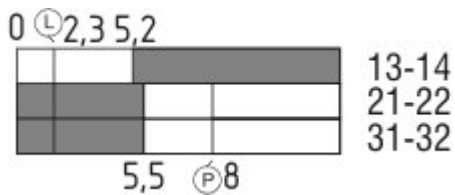
Diagram



Note Diagram

- positive break NC contact
- active
- no active
- Normally-open contact
- Normally-closed contact

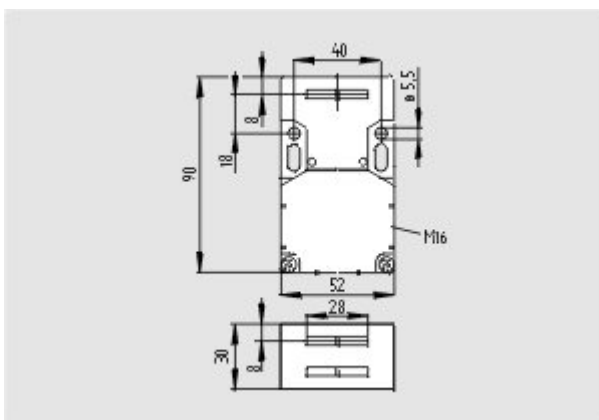
Switch travel diagram



Notes Switch travel diagram

- Contact closed
- Contact open
- Setting range
- Break point
- Positive opening sequence/- angle
- VS** adjustable range of NO contact
- VÖ** adjustable range of NC contact
- N** after travel

Images



Dimensional drawing (basic component)

System components

Actuator

101083036 - AZ 15/16-B1



101092711 - AZ 15/16-B1-1747



- For play-free interlocking of light guards
- Suitable for retrofitting

101093553 - AZ 15/16-B1-1747



- For play-free interlocking of light guards
- The magnetic latch can be easily fitted in any actuating plane
- Suitable for retrofitting

101108276 - AZ 15/16-B1-2024



101108278 - AZ 15/16-B1-2024 WITH SLOT SEALING PLUG



- For protection against the ingress of course dirt

101111079 - AZ 15/16-B1-2053



- For interlocking of light to medium-weight guards

101111081 - AZ 15/16-B1-2053 WITH BALL LATCH



- For interlocking of light to medium-weight guards

101126793 - AZ 15/16-B1-2177



- For interlocking of light, unguided guards