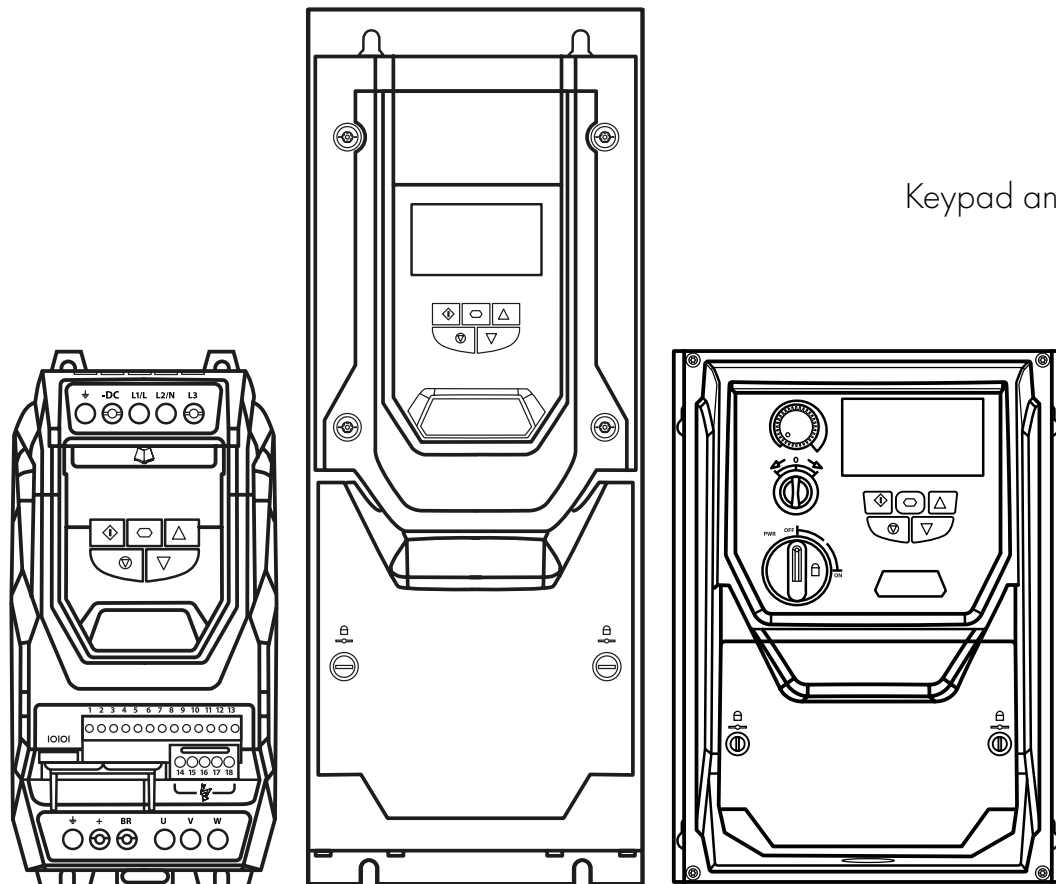


# OPTIDRIVE™ CP<sup>2</sup>

AC Variable Speed Drive

0.75 - 250kW / 1 - 350HP

200 - 600V Single and 3 Phase Input



Quick Start Up

**1**

General Information  
and Ratings

**2**

Mechanical Installation

**3**

Electrical Installation

**4**

Keypad and Display Operation

**5**

Parameters

**6**

Control Terminal  
Functions

**7**

Extended  
Parameters

**8**

Serial  
Communications

**9**

Technical Data

**10**

Troubleshooting

**11**

|  |           |   |           |
|--|-----------|---|-----------|
| <b>1. Quick Start Up .....</b>   | <b>4</b>  | <b>5. Keypad and Display Operation .....</b>                            | <b>31</b> |
| 1.1. Important Safety Information .....  | 4         | 5.1. Keypad and Display Layout .....                                    | 31        |
| 1.2. Quick Start Process .....   | 5         | 5.2. Selecting the Language on the TFT and OLED Display .....           | 32        |
| <b>2. General Information and Ratings .....</b>                                      | <b>6</b>  | 5.3. Additional Display Messages .....                                  | 32        |
| 2.1. Identifying the Drive by Model Number .....                                     | 6         | 5.4. Changing Parameters .....  | 33        |
| 2.2. Product Rating Label Location .....   | 6         | 5.5. Parameter Factory Reset / User Reset .....                         | 33        |
| 2.3. Understanding the Rating Label .....  | 7         | 5.6. Resetting the Drive Following a Trip .....                         | 33        |
| 2.4. Drive Model Numbers – IP20 .....  | 7         | 5.7. Keypad Short Cuts .....  | 34        |
| 2.5. Drive Model Numbers – IP55 .....  | 9         | <b>6. Parameters .....</b>  | <b>35</b> |
| 2.6. Drive Model Numbers – IP66 .....  | 10        | 6.1. Parameter Set Overview .....                                       | 35        |
| <b>3. Mechanical Installation .....</b>  | <b>11</b> | 6.2. Parameter Group 1 – Basic Parameters .....                         | 35        |
| 3.1. General .....   | 11        | <b>7. Control Terminal Functions .....</b>                              | <b>38</b> |
| 3.2. Before Installation .....   | 11        | 7.1. Control Source Selection .....                                     | 38        |
| 3.3. UL Compliant Installation .....   | 11        | 7.2. Digital Input Configuration Parameter P1-13 .....                  | 40        |
| 3.4. Installation Following a Period of Storage .....                                | 11        | 7.3. Example Connection Schematics .....                                | 42        |
| 3.5. Mechanical Dimensions and Weight .....  | 12        | <b>8. Extended Parameters .....</b>                                     | <b>45</b> |
| 3.6. Guidelines for Enclosure Mounting (IP20 Units) .....                            | 15        | 8.1. Parameter Group 2 - Extended Parameters .....                      | 45        |
| 3.7. Mounting the Drive – IP20 Units .....   | 16        | 8.2. Parameter Group 3 – PID Control .....                              | 50        |
| 3.8. Guidelines for Mounting (IP55 Units) .....                                      | 16        | 8.3. Parameter Group 5 – Communication Parameters .....                 | 54        |
| 3.9. Guidelines for Mounting (IP66 Units) .....                                      | 17        | 8.4. Advanced Parameters .....  | 56        |
| 3.10. Removing the Terminal Cover .....  | 18        | 8.5. Parameter Group 0 – Monitoring Parameters (Read Only) .....        | 60        |
| 3.11. Routine Maintenance .....  | 18        | <b>9. Serial Communications .....</b>                                   | <b>62</b> |
| <b>4. Electrical Installation .....</b>  | <b>19</b> | 9.1. RS-485 Communications .....  | 62        |
| 4.1. Connection Diagram .....  | 19        | 9.2. Modbus RTU Communications .....                                    | 62        |
| 4.2. Protective Earth (PE) Connection .....  | 20        | 9.3. CAN Open Communication .....                                       | 64        |
| 4.3. Incoming Power Connection .....   | 20        | <b>10. Technical Data .....</b>   | <b>68</b> |
| 4.4. Operation of 3 Phase drives from a Single Phase Supply .....                    | 21        | 10.1. Environmental .....   | 68        |
| 4.5. Operation with DC Power Supply or Common DC Bus .....                           | 21        | 10.2. Input/Output Power and Current Ratings .....                      | 68        |
| 4.6. Motor Connection .....  | 21        | 10.3. Additional Information for UL Approved Installations .....        | 71        |
| 4.7. Motor Terminal Box Connections .....  | 21        | 10.4. Derating Information .....  | 72        |
| 4.8. Connecting a Brake Resistor .....   | 22        | 10.5. Internal EMC Filter and Varistors – Disconnection Procedure ..... | 72        |
| 4.9. Control Terminal Wiring .....   | 23        | <b>11. Troubleshooting .....</b>  | <b>74</b> |
| 4.10. Control Terminal Connections .....   | 24        | 11.1. Fault Messages .....  | 74        |
| 4.11. IP66 Switched Version Integrated Control Switch and Potentiometer Wiring ..... | 25        |   |           |
| 4.12. Motor Thermal Overload Protection .....  | 25        |   |           |
| 4.13. EMC Compliant Installation .....   | 26        |   |           |
| 4.14. Safe Torque Off .....  | 27        |   |           |

## Declaration of Conformity

Invertek Drives Ltd hereby states that the Optidrive ODP-2 product range conforms to the relevant safety provisions of the following council directives:

2014/30/EU (EMC) and 2014/35/EU (LVD)

Designed and manufacture is in accordance with the following harmonised European standards:

|                            |  |
|----------------------------|--|
| EN 61800-5-1: 2007+A1:2017 | Adjustable speed electrical power drive systems. Safety requirements. Electrical, thermal and energy.  |
| EN 61800-3: 2004 /A1 2012  | Adjustable speed electrical power drive systems. EMC requirements and specific test methods  |
| EN 55011: 2007             | Limits and Methods of measurement of radio disturbance characteristics of industrial, scientific and medical (ISM) radio-frequency equipment (EMC) |
| EN60529: 1992              | Specifications for degrees of protection provided by enclosures  |

## Safe Torque OFF (“STO”) Function

Optidrive P2 incorporates a hardware STO (Safe Torque Off) Function, designed in accordance with the standards listed below.

| Standard                            | Classification                 | Independent Approval |
|-------------------------------------|--------------------------------|----------------------|
| EN 61800-5-2:2016                   | Type 2                         | *TUV                 |
| EN ISO 13849-1:2015                 | PL “d”                         |                      |
| EN 61508 (Part 1 to 7):2010         | SIL 2                          |                      |
| EN60204-1:2006 + A1:2009 + AC: 2010 | Uncontrolled Stop “Category 0” |                      |
| EN 62061:2005/A2:2015               | SIL CL 2                       |                      |

## Electromagnetic Compatibility

All Optidrives are designed with high standards of EMC in mind. All versions suitable for operation on Single Phase 230 volt and Three Phase 400 volt supplies and intended for use within the European Union are fitted with an internal EMC filter. This EMC filter is designed to reduce the conducted emissions back into the mains supply via the power cables for compliance with the above harmonised European standards.

It is the responsibility of the installer to ensure that the equipment or system into which the product is incorporated complies with the EMC legislation of the country of use, and the relevant category. Within the European Union, equipment into which this product is incorporated must comply with the EMC Directive 2004/108/EC. This User Guide provides guidance to ensure that the applicable standards may be achieved.

## Copyright Invertek Drives Ltd © 2019

All rights reserved. No part of this User Guide may be reproduced or transmitted in any form or by any means, electrical or mechanical including photocopying, recording or by any information storage or retrieval system without permission in writing from the publisher.

## 2 Year Warranty

All Invertek Optidrive units carry a 2 year warranty against manufacturing defects from the date of manufacture. The manufacturer accepts no liability for any damage caused during or resulting from transport, receipt of delivery, installation or commissioning. The manufacturer also accepts no liability for damage or consequences resulting from inappropriate, negligent or incorrect installation, incorrect adjustment of the operating parameters of the drive, incorrect matching of the drive to the motor, incorrect installation, unacceptable dust, moisture, corrosive substances, excessive vibration or ambient temperatures outside of the design specification.

The local distributor may offer different terms and conditions at their discretion, and in all cases concerning warranty, the local distributor should be contacted first.

**This user guide is the “original instructions” document. All non-English versions are translations of the “original instructions”.**

The contents of this User Guide are believed to be correct at the time of printing. In the interest of a commitment to a policy of continuous improvement, the manufacturer reserves the right to change the specification of the product or its performance or the contents of the User Guide without notice.

## This User Guide is for use with version 2.50 Firmware. User Guide Revision 3.02.

Invertek Drives Ltd adopts a policy of continuous improvement and whilst every effort has been made to provide accurate and up to date information, the information contained in this User Guide should be used for guidance purposes only and does not form the part of any contract.

|   |  |
|---|--|
|  | This manual is intended as a guide for proper installation. Invertek Drives Ltd cannot assume responsibility for the compliance or the non-compliance to any code, national, local or otherwise, for the proper installation of this drive or associated equipment. A hazard of personal injury and/or equipment damage exists if codes are ignored during installation.           |
|  | This Optidrive contains high voltage capacitors that take time to discharge after removal of the main supply. Before working on the drive, ensure isolation of the main supply from line inputs. Wait ten (10) minutes for the capacitors to discharge to safe voltage levels. Failure to observe this precaution could result in severe bodily injury or loss of life.            |
|  | Only qualified electrical personnel familiar with the construction and operation of this equipment and the hazards involved should install, adjust, operate, or service this equipment. Read and understand this manual and other applicable manuals in their entirety before proceeding. Failure to observe this precaution could result in severe bodily injury or loss of life. |

# 1. Quick Start Up

## 1.1. Important Safety Information

Please read the IMPORTANT SAFETY INFORMATION below, and all Warning and Caution information elsewhere.



**Danger:** Indicates a risk of electric shock, which, if not avoided, could result in damage to the equipment and possible injury or death.

This variable speed drive product (Optidrive) is intended for professional incorporation into complete equipment or systems as part of a fixed installation. If installed incorrectly it may present a safety hazard. The Optidrive uses high voltages and currents, carries a high level of stored electrical energy, and is used to control mechanical plant that may cause injury. Close attention is required to system design and electrical installation to avoid hazards in either normal operation or in the event of equipment malfunction. Only qualified electricians are allowed to install and maintain this product.

System design, installation, commissioning and maintenance must be carried out only by personnel who have the necessary training and experience. They must carefully read this safety information and the instructions in this Guide and follow all information regarding transport, storage, installation and use of the Optidrive, including the specified environmental limitations.

Do not perform any flash test or voltage withstand test on the Optidrive. Any electrical measurements required should be carried out with the Optidrive disconnected.

Electric shock hazard! Disconnect and ISOLATE the Optidrive before attempting any work on it. High voltages are present at the terminals and within the drive for up to 10 minutes after disconnection of the electrical supply. Always ensure by using a suitable multimeter that no voltage is present on any drive power terminals prior to commencing any work.

Where supply to the drive is through a plug and socket connector, do not disconnect until 10 minutes have elapsed after turning off the supply.

Ensure correct earthing connections and cable selection as per defined by local legislation or codes. The drive may have a leakage current of greater than 3.5mA; furthermore the earth cable must be sufficient to carry the maximum supply fault current which normally will be limited by the fuses or MCB. Suitably rated fuses or MCB should be fitted in the mains supply to the drive, according to any local legislation or codes.

Do not carry out any work on the drive control cables whilst power is applied to the drive or to the external control circuits.

The "Safe Torque Off" Function does not prevent high voltages from being present at the drives power terminals.



**Danger:** Indicates a potentially hazardous situation other than electrical, which if not avoided, could result in damage to property.

Within the European Union, all machinery in which this product is used must comply with the Machinery Directive 2006/42/EC, Safety of Machinery. In particular, the machine manufacturer is responsible for ensuring that the electrical equipment complies with EN60204-1 and providing a disconnecting device which must be one of the following types:

- A switch-disconnector, utilization category AC-23B (EN 60947-3).
- A circuit breaker suitable for isolation in accordance with EN 60947-2.
- A disconnector with an integrated auxiliary contact that ensures under all circumstances the switching devices break the load circuit prior to opening of the main contacts of the disconnector (EN 60947-3).

For installation in other regions, conformance with local electrical regulations and codes of practice must be adhered to.

The level of integrity offered by the Optidrive control input functions – for example stop/start, forward/reverse and maximum speed, is not sufficient for use in safety-critical applications without independent channels of protection. All applications where malfunction could cause injury or loss of life must be subject to a risk assessment and further protection provided where needed.

The driven motor can start at power up if the enable input signal is present.

The STOP function does not remove potentially lethal high voltages. ISOLATE the drive and wait 10 minutes before starting any work on it. Never carry out any work on the Drive, Motor or Motor cable whilst the input power is still applied.

The Optidrive can be programmed to operate the driven motor at speeds above or below the speed achieved when connecting the motor directly to the mains supply. Obtain confirmation from the manufacturers of the motor and the driven machine about suitability for operation over the intended speed range prior to machine start up.

Do not activate the automatic fault reset function on any systems whereby this may cause a potentially dangerous situation.

IP55 and IP66 drives provide their own pollution degree 2 environments. IP20 drives must be installed in a pollution degree 2 environment, mounted in a cabinet with IP54 or better.

Optidrives are intended for indoor use only.

When mounting the drive, ensure that sufficient cooling is provided. Do not carry out drilling operations with the drive in place, dust and swarf from drilling may lead to damage.

The entry of conductive or flammable foreign bodies should be prevented. Flammable material should not be placed close to the drive. Relative humidity must be less than 95% (non-condensing).

Ensure that the supply voltage, frequency and no. of phases (1 or 3 phase) correspond to the rating of the Optidrive as delivered.

Never connect the mains power supply to the Output terminals U, V, W. Do not install any type of automatic switchgear between the drive and the motor.

Wherever control cabling is close to power cabling, maintain a minimum separation of 100 mm and arrange crossings at 90 degrees.

Ensure that all terminals are tightened to the appropriate torque setting.

Do not attempt to carry out any repair of the Optidrive. In the case of suspected fault or malfunction, contact your local Invertek Drives Sales Partner for further assistance.

Do not operate the drive with any of the enclosure covers removed.

## 1.2. Quick Start Process

| Step | Action   | See Section  | Page                                   |
|------|--|--|--|
| 1    | Identify the Model Type and ratings of your drive from the model code on the label. In particular: <ul style="list-style-type: none"> <li>- Check the voltage rating suits the incoming supply</li> <li>- Check the output current capacity meets or exceeds the full load current for the intended motor</li> <li>- Check the enclosure type is suitable for the intended mounting location.</li> </ul> | 2.1. Identifying the Drive by Model Number<br>2.3. Understanding the Rating Label<br>2.4. Drive Model Numbers – IP20<br>2.5. Drive Model Numbers – IP55<br>2.6. Drive Model Numbers – IP66<br>3.1. General   | 6<br>7<br>7<br>9<br>10<br>11           |
| 2    | Unpack and check the drive.<br>Notify the supplier and shipper immediately of any damage.  |  |  |
| 3    | Ensure correct ambient and environmental conditions for the drive are met by the proposed mounting location.   | 10.1. Environmental  | 68                                     |
| 4    | Install the drive in a suitable cabinet (IP20 Units), ensuring suitable cooling air is available.<br>Mount the drive to the wall or machine (IP55 & IP66).   | 3.1. General<br>3.2. Before Installation<br>3.5. Mechanical Dimensions and Weight<br>3.6. Guidelines for Enclosure Mounting (IP20 Units)<br>3.7. Mounting the Drive – IP20 Units<br>3.8. Guidelines for Mounting (IP55 Units)<br>3.9. Guidelines for Mounting (IP66 Units) | 11<br>11<br>12<br>15<br>16<br>16<br>17 |
| 5    | Select the correct power and motor cables according to local wiring regulations or code, noting the maximum permissible sizes.   | 10.2. Input/Output Power and Current Ratings   | 68                                     |
| 6    | For IT Supply network, or any power supply type where the phase – earth voltage may exceed the phase – phase voltage (such as ungrounded supplies), disconnect the EMC filter before connecting the supply.  | 10.5. Internal EMC Filter and Varistors – Disconnection Procedure  | 72                                     |
| 7    | Check the supply cable and motor cable for faults or short circuits.   |  |  |
| 8    | Route the cables   |  |  |
| 9    | Check that the intended motor is suitable for use, noting any precautions recommended by the supplier or manufacturer.   | 4.6. Motor Connection<br>8.2.3. Parameter Group 4 – High Performance Motor Control   | 21<br>51                               |
| 10   | Check the motor terminal box for correct Star or Delta configuration where applicable.   | 4.7. Motor Terminal Box Connections  | 21                                     |
| 11   | Ensure correct wiring protection is providing, by installing a suitable circuit breaker or fuses in the incoming supply line.  | 4.3.3. Fuse / Circuit Breaker Selection  | 20                                     |
| 12   | Connect the power cables, especially ensuring the protective earth connection is made.   | 4.1. Connection Diagram  | 19                                     |
| 13   | Connect the control cables as required for the application.  | 4.10. Control Terminal Connections   | 24                                     |
| 14   | Thoroughly check the installation and wiring.  |  |  |
| 15   | Commission the drive parameters.   | 5.4. Changing Parameters<br>6. Parameters  | 33<br>35                               |

## 2. General Information and Ratings

### 2.1. Identifying the Drive by Model Number

The model number of each Optidrive P2 is constructed according to the following system:



### 2.2. Product Rating Label Location

All Optidrive P2 models carry a rating label, which can be located as follows:

**IP20 Models**



On right hand side when viewed from the front.

**IP55 Models**



On the top surface.

**IP66 Models**



On right hand side when viewed from the front.

## 2.3. Understanding the Rating Label

The product rating label provides the following information.

|   | Key  |
|---|--|
| 1 | Model Code   |
| 2 | Enclosure Type and IP Rating                       |
| 3 | Firmware Version                                   |
| 4 | Serial Number                                      |
| 5 | Technical Data – Supply Voltage                    |
| 6 | Technical Data – Maximum continuous output current |



## 2.4. Drive Model Numbers – IP20

Mechanical Dimensions and Mounting information are shown from section 3.5.1. IP20 Units on page 12.

Electrical Specifications are shown in section 10.2. Input/Output Power and Current Ratings on page 68.

| 200-240V ±10% - 1 Phase Input |      |                      |     |                    |            |
|-------------------------------|------|----------------------|-----|--------------------|------------|
| kW Model                      | kW   | HP Model             | HP  | Output Current (A) | Frame Size |
| ODP-2-22075-1KF42-SN          | 0.75 | ODP-2-22010-1HF42-SN | 1   | 4.3                | 2          |
| ODP-2-22150-1KF42-SN          | 1.5  | ODP-2-22020-1HF42-SN | 2   | 7                  | 2          |
| ODP-2-22220-1KF42-SN          | 2.2  | ODP-2-22030-1HF42-SN | 3   | 10.5               | 2          |
| 200-240V ±10% - 3 Phase Input |      |                      |     |                    |            |
| kW Model                      | kW   | HP Model             | HP  | Output Current (A) | Frame Size |
| ODP-2-22075-3KF42-SN          | 0.75 | ODP-2-22010-3HF42-SN | 1   | 4.3                | 2          |
| ODP-2-22150-3KF42-SN          | 1.5  | ODP-2-22020-3HF42-SN | 2   | 7                  | 2          |
| ODP-2-22220-3KF42-SN          | 2.2  | ODP-2-22030-3HF42-SN | 3   | 10.5               | 2          |
| ODP-2-32040-3KF42-SN          | 4    | ODP-2-32050-3HF42-SN | 5   | 18                 | 3          |
| ODP-2-32055-3KF42-SN          | 5.5  | ODP-2-32075-3HF42-SN | 7.5 | 24                 | 3          |
| ODP-2-42075-3KF42-MN          | 7.5  | ODP-2-42100-3HF42-MN | 10  | 30                 | 4          |
| ODP-2-42110-3KF42-MN          | 11   | ODP-2-42150-3HF42-MN | 15  | 46                 | 4          |
| ODP-2-52150-3KF42-MN          | 15   | ODP-2-52020-3HF42-MN | 20  | 60                 | 5          |
| ODP-2-52185-3KF42-MN          | 18.5 | ODP-2-52025-3HF42-MN | 25  | 72                 | 5          |
| ODP-2-62022-3KF42-MN          | 22   | ODP-2-62030-3HF42-MN | 30  | 90                 | 6A         |
| ODP-2-62030-3KF42-MN          | 30   | ODP-2-62040-3HF42-MN | 40  | 110                | 6A         |
| ODP-2-62037-3KF42-MN          | 37   | ODP-2-62050-3HF42-MN | 50  | 150                | 6B         |
| ODP-2-62045-3KF42-MN          | 45   | ODP-2-62060-3HF42-MN | 60  | 180                | 6B         |

| 380-480V ±10% - 3 Phase Input |      |                      |     |                    |            |
|-------------------------------|------|----------------------|-----|--------------------|------------|
| kW Model                      | kW   | HP Model             | HP  | Output Current (A) | Frame Size |
| ODP-2-24075-3KF42-SN          | 0.75 | ODP-2-24010-3HF42-SN | 1   | 2.2                | 2          |
| ODP-2-24150-3KF42-SN          | 1.5  | ODP-2-24020-3HF42-SN | 2   | 4.1                | 2          |
| ODP-2-24220-3KF42-SN          | 2.2  | ODP-2-24030-3HF42-SN | 3   | 5.8                | 2          |
| ODP-2-24400-3KF42-SN          | 4    | ODP-2-24050-3HF42-SN | 5   | 9.5                | 2          |
| ODP-2-34055-3KF42-SN          | 5.5  | ODP-2-34075-3HF42-SN | 7.5 | 14                 | 3          |
| ODP-2-34075-3KF42-SN          | 7.5  | ODP-2-34100-3HF42-SN | 10  | 18                 | 3          |
| ODP-2-34110-3KF42-SN          | 11   | ODP-2-34150-3HF42-SN | 15  | 24                 | 3          |
| ODP-2-44150-3KF42-MN          | 15   | ODP-2-44200-3HF42-MN | 20  | 30                 | 4          |
| ODP-2-44185-3KF42-MN          | 18.5 | ODP-2-44250-3HF42-MN | 25  | 39                 | 4          |
| ODP-2-44220-3KF42-MN          | 22   | ODP-2-44300-3HF42-MN | 30  | 46                 | 4          |
| ODP-2-54300-3KF42-MN          | 30   | ODP-2-54040-3HF42-MN | 40  | 61                 | 5          |
| ODP-2-54370-3KF42-MN          | 37   | ODP-2-54050-3HF42-MN | 50  | 72                 | 5          |
| ODP-2-64045-3KF42-MN          | 45   | ODP-2-64060-3HF42-MN | 60  | 90                 | 6A         |
| ODP-2-64055-3KF42-MN          | 55   | ODP-2-64075-3HF42-MN | 75  | 110                | 6A         |
| ODP-2-64075-3KF42-MN          | 75   | ODP-2-64100-3HF42-MN | 100 | 150                | 6B         |
| ODP-2-64090-3KF42-MN          | 90   | ODP-2-64150-3HF42-MN | 150 | 180                | 6B         |
| ODP-2-84200-3KF42-MN          | 200  | ODP-2-84300-3HF42-MN | 300 | 370                | 8          |
| ODP-2-84250-3KF42-MN          | 250  | ODP-2-84400-3HF42-MN | 400 | 480                | 8          |
| 500-600V ±10% - 3 Phase Input |      |                      |     |                    |            |
| kW Model                      | kW   | HP Model             | HP  | Output Current (A) | Frame Size |
| ODP-2-26075-3K042-SN          | 0.75 | ODP-2-26010-3H042-SN | 1   | 2.1                | 2          |
| ODP-2-26150-3K042-SN          | 1.5  | ODP-2-26020-3H042-SN | 2   | 3.1                | 2          |
| ODP-2-26220-3K042-SN          | 2.2  | ODP-2-26030-3H042-SN | 3   | 4.1                | 2          |
| ODP-2-26400-3K042-SN          | 4    | ODP-2-26050-3H042-SN | 5   | 6.5                | 2          |
| ODP-2-26550-3K042-SN          | 5.5  | ODP-2-26075-3H042-SN | 7.5 | 9                  | 2          |
| ODP-2-36075-3K042-SN          | 7.5  | ODP-2-36100-3H042-SN | 10  | 12                 | 3          |
| ODP-2-36110-3K042-SN          | 11   | ODP-2-36150-3H042-SN | 15  | 17                 | 3          |
| ODP-2-36150-3K042-SN          | 15   | ODP-2-36200-3H042-SN | 20  | 22                 | 3          |
| ODP-2-46185-3K042-MN          | 18.5 | ODP-2-46250-3H042-MN | 25  | 28                 | 4          |
| ODP-2-46220-3K042-MN          | 22   | ODP-2-46300-3H042-MN | 30  | 34                 | 4          |
| ODP-2-46300-3K042-MN          | 30   | ODP-2-46400-3H042-MN | 40  | 41                 | 4          |
| ODP-2-56370-3K042-MN          | 37   | ODP-2-56050-3H042-MN | 50  | 54                 | 5          |
| ODP-2-56045-3K042-MN          | 45   | ODP-2-56060-3H042-MN | 60  | 65                 | 5          |
| ODP-2-66055-3K042-MN          | 55   | ODP-2-66075-3H042-MN | 75  | 78                 | 6A         |
| ODP-2-66075-3K042-MN          | 75   | ODP-2-66100-3H042-MN | 100 | 105                | 6A         |
| ODP-2-66090-3K042-MN          | 90   | ODP-2-66125-3H042-MN | 125 | 130                | 6B         |
| ODP-2-66110-3K042-MN          | 110  | ODP-2-66150-3H042-MN | 150 | 150                | 6B         |



## 2.5. Drive Model Numbers – IP55

Mechanical dimensions and mounting information are shown from section 3.5.2. *IP55 Units* on page 13.

Electrical specifications are shown in section 10.2. *Input/Output Power and Current Ratings* on page 68.

| 200-240V ±10% - 3 Phase Input |      |                      |     |                    |            |
|-------------------------------|------|----------------------|-----|--------------------|------------|
| kW Model Number               | kW   | HP Model Number      | HP  | Output Current (A) | Frame Size |
| ODP-2-42055-3KF4N-TN          | 5.5  | ODP-2-42075-3HF4N-TN | 7.5 | 24                 | 4          |
| ODP-2-42075-3KF4N-TN          | 7.5  | ODP-2-42100-3HF4N-TN | 10  | 30                 | 4          |
| ODP-2-42110-3KF4N-TN          | 11   | ODP-2-42150-3HF4N-TN | 15  | 46                 | 4          |
| ODP-2-52150-3KF4N-TN          | 15   | ODP-2-52020-3HF4N-TN | 20  | 60                 | 5          |
| ODP-2-52185-3KF4N-TN          | 18.5 | ODP-2-52025-3HF4N-TN | 25  | 72                 | 5          |
| ODP-2-62022-3KF4N-TN          | 22   | ODP-2-62030-3HF4N-TN | 30  | 90                 | 6          |
| ODP-2-62030-3KF4N-TN          | 30   | ODP-2-62040-3HF4N-TN | 40  | 110                | 6          |
| ODP-2-62037-3KF4N-TN          | 37   | ODP-2-62050-3HF4N-TN | 50  | 150                | 6          |
| ODP-2-62045-3KF4N-TN          | 45   | ODP-2-62060-3HF4N-TN | 60  | 180                | 6          |
| ODP-2-72055-3KF4N-TN          | 55   | ODP-2-72075-3HF4N-TN | 75  | 202                | 7          |
| ODP-2-72075-3KF4N-TN          | 75   | ODP-2-72100-3HF4N-TN | 100 | 240                | 7          |
| 380-480V ±10% - 3 Phase Input |      |                      |     |                    |            |
| kW Model Number               | kW   | HP Model Number      | HP  | Output Current (A) | Frame Size |
| ODP-2-44110-3KF4N-TN          | 11   | ODP-2-44150-3HF4N-TN | 15  | 24                 | 4          |
| ODP-2-44150-3KF4N-TN          | 15   | ODP-2-44200-3HF4N-TN | 20  | 30                 | 4          |
| ODP-2-44185-3KF4N-TN          | 18.5 | ODP-2-44250-3HF4N-TN | 25  | 39                 | 4          |
| ODP-2-44220-3KF4N-TN          | 22   | ODP-2-44300-3HF4N-TN | 30  | 46                 | 4          |
| ODP-2-54300-3KF4N-TN          | 30   | ODP-2-54040-3HF4N-TN | 40  | 61                 | 5          |
| ODP-2-54370-3KF4N-TN          | 37   | ODP-2-54050-3HF4N-TN | 50  | 72                 | 5          |
| ODP-2-64045-3KF4N-TN          | 45   | ODP-2-64060-3HF4N-TN | 60  | 90                 | 6          |
| ODP-2-64055-3KF4N-TN          | 55   | ODP-2-64075-3HF4N-TN | 75  | 110                | 6          |
| ODP-2-64075-3KF4N-TN          | 75   | ODP-2-64100-3HF4N-TN | 100 | 150                | 6          |
| ODP-2-64090-3KF4N-TN          | 90   | ODP-2-64150-3HF4N-TN | 150 | 180                | 6          |
| ODP-2-74110-3KF4N-TN          | 110  | ODP-2-74175-3HF4N-TN | 175 | 202                | 7          |
| ODP-2-74132-3KF4N-TN          | 132  | ODP-2-74200-3HF4N-TN | 200 | 240                | 7          |
| ODP-2-74160-3KF4N-TN          | 160  | ODP-2-74250-3HF4N-TN | 250 | 302                | 7          |
| 480-525V ±10% - 3 Phase Input |      |                      |     |                    |            |
| kW Model Number               | kW   | HP Model Number      | HP  | Output Current (A) | Frame Size |
| ODP-2-75132-3K04N-TN          | 132  |                      |     | 185                | 7          |
| ODP-2-75150-3K04N-TN          | 150  |                      |     | 205                | 7          |
| ODP-2-75185-3K04N-TN          | 185  |                      |     | 255                | 7          |
| ODP-2-75200-3K04N-TN          | 200  |                      |     | 275                | 7          |
| 500-600V ±10% - 3 Phase Input |      |                      |     |                    |            |
| kW Model Number               | kW   | HP Model Number      | HP  | Output Current (A) | Frame Size |
| ODP-2-46150-3K04N-TN          | 15   | ODP-2-46200-3H04N-TN | 20  | 22                 | 4          |
| ODP-2-46185-3K04N-TN          | 18.5 | ODP-2-46250-3H04N-TN | 25  | 28                 | 4          |
| ODP-2-46220-3K04N-TN          | 22   | ODP-2-46300-3H04N-TN | 30  | 34                 | 4          |
| ODP-2-46300-3K04N-TN          | 30   | ODP-2-46400-3H04N-TN | 40  | 41                 | 4          |
| ODP-2-56370-3K04N-TN          | 37   | ODP-2-56050-3H04N-TN | 50  | 54                 | 5          |
| ODP-2-56450-3K04N-TN          | 45   | ODP-2-56060-3H04N-TN | 60  | 65                 | 5          |
| ODP-2-66055-3K04N-TN          | 55   | ODP-2-66075-3H04N-TN | 75  | 78                 | 6          |
| ODP-2-66075-3K04N-TN          | 75   | ODP-2-66100-3H04N-TN | 100 | 105                | 6          |
| ODP-2-66090-3K04N-TN          | 90   | ODP-2-66125-3H04N-TN | 125 | 130                | 6          |
| ODP-2-66110-3K04N-TN          | 110  | ODP-2-66150-3H04N-TN | 150 | 150                | 6          |

## 2.6. Drive Model Numbers – IP66

Mechanical dimensions and mounting information are shown from section 3.5.3. IP66 Units on page 14.

Electrical specifications are shown in section 10.2. Input/Output Power and Current Ratings on page 68.

| 200-240V ±10% - 1 Phase Input |                      |      |                      |                      |    |                    |            |
|-------------------------------|----------------------|------|----------------------|----------------------|----|--------------------|------------|
| kW Model                      |                      | kW   | HP Model             |                      | HP | Output Current (A) | Frame Size |
| Non Switched                  | Switched             |      | Non Switched         | Switched             |    |                    |            |
| ODP-2-22075-1KF4X-TN          | ODP-2-22075-1KF4Y-TN | 0.75 | ODP-2-22010-1HF4X-TN | ODP-2-22010-1HF4Y-TN | 1  | 4.3                | 2          |
| ODP-2-22150-1KF4X-TN          | ODP-2-22150-1KF4Y-TN | 1.5  | ODP-2-22020-1HF4X-TN | ODP-2-22020-1HF4Y-TN | 2  | 7                  | 2          |
| ODP-2-22220-1KF4X-TN          | ODP-2-22220-1KF4Y-TN | 2.2  | ODP-2-22030-1HF4X-TN | ODP-2-22030-1HF4Y-TN | 3  | 10.5               | 2          |

| 200-240V ±10% - 3 Phase Input |                      |      |                      |                      |    |                    |            |
|-------------------------------|----------------------|------|----------------------|----------------------|----|--------------------|------------|
| kW Model                      |                      | kW   | HP Model             |                      | HP | Output Current (A) | Frame Size |
| Non Switched                  | Switched             |      | Non Switched         | Switched             |    |                    |            |
| ODP-2-22075-3KF4X-TN          | ODP-2-22075-3KF4Y-TN | 0.75 | ODP-2-22010-3HF4X-TN | ODP-2-22010-3HF4Y-TN | 1  | 4.3                | 2          |
| ODP-2-22150-3KF4X-TN          | ODP-2-22150-3KF4Y-TN | 1.5  | ODP-2-22020-3HF4X-TN | ODP-2-22020-3HF4Y-TN | 2  | 7                  | 2          |
| ODP-2-22220-3KF4X-TN          | ODP-2-22220-3KF4Y-TN | 2.2  | ODP-2-22030-3HF4X-TN | ODP-2-22030-3HF4Y-TN | 3  | 10.5               | 2          |
| ODP-2-32040-3KF4X-TN          | ODP-2-32040-3KF4Y-TN | 4    | ODP-2-32050-3HF4X-TN | ODP-2-32050-3HF4Y-TN | 5  | 18                 | 3          |

| 380-480V ±10% - 3 Phase Input |                      |      |                      |                      |     |                    |            |
|-------------------------------|----------------------|------|----------------------|----------------------|-----|--------------------|------------|
| kW Model                      |                      | kW   | HP Model             |                      | HP  | Output Current (A) | Frame Size |
| Non Switched                  | Switched             |      | Non Switched         | Switched             |     |                    |            |
| ODP-2-24075-3KF4X-TN          | ODP-2-24075-3KF4Y-TN | 0.75 | ODP-2-24010-3HF4X-TN | ODP-2-24010-3HF4Y-TN | 1   | 2.2                | 2          |
| ODP-2-24150-3KF4X-TN          | ODP-2-24150-3KF4Y-TN | 1.5  | ODP-2-24020-3HF4X-TN | ODP-2-24020-3HF4Y-TN | 2   | 4.1                | 2          |
| ODP-2-24220-3KF4X-TN          | ODP-2-24220-3KF4Y-TN | 2.2  | ODP-2-24030-3HF4X-TN | ODP-2-24030-3HF4Y-TN | 3   | 5.8                | 2          |
| ODP-2-24400-3KF4X-TN          | ODP-2-24400-3KF4Y-TN | 4    | ODP-2-24050-3HF4X-TN | ODP-2-24050-3HF4Y-TN | 5   | 9.5                | 2          |
| ODP-2-34055-3KF4X-TN          | ODP-2-34055-3KF4Y-TN | 5.5  | ODP-2-34075-3HF4X-TN | ODP-2-34075-3HF4Y-TN | 7.5 | 14                 | 3          |
| ODP-2-34075-3KF4X-TN          | ODP-2-34075-3KF4Y-TN | 7.5  | ODP-2-34100-3HF4X-TN | ODP-2-34100-3HF4Y-TN | 10  | 18                 | 3          |

| 500-600V ±10% - 3 Phase Input |                      |      |                      |                      |     |                    |            |
|-------------------------------|----------------------|------|----------------------|----------------------|-----|--------------------|------------|
| kW Model                      |                      | kW   | HP Model             |                      | HP  | Output Current (A) | Frame Size |
| Non Switched                  | Switched             |      | Non Switched         | Switched             |     |                    |            |
| ODP-2-26075-3K04X-TN          | ODP-2-26075-3K04Y-TN | 0.75 | ODP-2-26010-3H04X-TN | ODP-2-26010-3H04Y-TN | 1   | 2.1                | 2          |
| ODP-2-26150-3K04X-TN          | ODP-2-26150-3K04Y-TN | 1.5  | ODP-2-26020-3H04X-TN | ODP-2-26020-3H04Y-TN | 2   | 3.1                | 2          |
| ODP-2-26220-3K04X-TN          | ODP-2-26220-3K04Y-TN | 2.2  | ODP-2-26030-3H04X-TN | ODP-2-26030-3H04Y-TN | 3   | 4.1                | 2          |
| ODP-2-26400-3K04X-TN          | ODP-2-26400-3K04Y-TN | 4    | ODP-2-26050-3H04X-TN | ODP-2-26050-3H04Y-TN | 5   | 6.5                | 2          |
| ODP-2-26550-3K04X-TN          | ODP-2-26550-3K04Y-TN | 5.5  | ODP-2-26075-3H04X-TN | ODP-2-26075-3H04Y-TN | 7.5 | 9                  | 2          |
| ODP-2-36075-3K04X-TN          | ODP-2-36075-3K04Y-TN | 7.5  | ODP-2-36100-3H04X-TN | ODP-2-36100-3H04Y-TN | 10  | 12                 | 3          |
| ODP-2-36110-3K04X-TN          | ODP-2-36110-3K04Y-TN | 11   | ODP-2-36150-3H04X-TN | ODP-2-36150-3H04Y-TN | 15  | 17                 | 3          |

## 3. Mechanical Installation

### 3.1. General

- The Optidrive should be mounted in a vertical position only, on a flat, flame resistant, vibration free mounting using the integral mounting holes or DIN Rail clip (Frame Size 2 only).
- The Optidrive must be installed in a pollution degree 1 or 2 environment only.
- Do not mount flammable material close to the Optidrive.
- Ensure that the minimum cooling air gaps, as detailed in sections 3.6. *Guidelines for Enclosure Mounting (IP20 Units)*, 3.8. *Guidelines for Mounting (IP55 Units)* and 3.9. *Guidelines for Mounting (IP66 Units)* are left clear.
- Ensure that the ambient temperature range does not exceed the permissible limits for the Optidrive given in section 10.1. *Environmental*.
- Provide suitable clean, moisture and contaminant free cooling air sufficient to fulfil the cooling requirements of the Optidrive.

### 3.2. Before Installation

- Carefully Unpack the Optidrive and check for any signs of damage. Notify the shipper immediately if any exist.
- Check the drive rating label to ensure it is of the correct type and power requirements for the application.
- To prevent accidental damage always store the Optidrive in its original box until required. Storage should be clean and dry and within the temperature range  $-40^{\circ}\text{C}$  to  $+60^{\circ}\text{C}$ .

### 3.3. UL Compliant Installation

Note the following for UL-compliant installation:

- For an up to date list of UL compliant products, please refer to UL listing NMMS.E226333.
- The drive can be operated within an ambient temperature range as stated in section 10.1. *Environmental*.
- For IP20 units, installation is required in a pollution degree 1 environment.
- For IP55 & IP66 units, installation in a pollution degree 2 environment is permissible.
- UL Listed ring terminals / lugs must be used for all bus bar and grounding connections.

Refer to section 10.3. *Additional Information for UL Approved Installations* on page 71.

### 3.4. Installation Following a Period of Storage

Where the drive has been stored for some time prior to installation, or has remained without the main power supply present for an extended period of time, it is necessary to reform the DC capacitors within the drive according to the following table before operation. For drives which have not been connected to the main power supply for a period of more than 2 years, this requires a reduced mains voltage to be applied for a time period, and gradually increased prior to operating the drive. The voltage levels relative to the drive rated voltage, and the time periods for which they must be applied are shown in the following table. Following completion of the procedure, the drive may be operated as normal.



| Storage Period / Power-OFF Period | Initial Input Voltage Level | Time Period T1 | Secondary Input Voltage Level | Time Period T2 | Third Input Voltage Level | Time Period T3 | Final Input Voltage Level | Time Period T4 |
|-----------------------------------|-----------------------------|----------------|-------------------------------|----------------|---------------------------|----------------|---------------------------|----------------|
| Up to 1 Year                      | 100%                        | N/A            |                               |                |                           |                |                           |                |
| 1 – 2 Years                       | 100%                        | 1 Hour         | N/A                           |                |                           |                |                           |                |
| 2 – 3 Years                       | 25%                         | 30 Minutes     | 50%                           | 30 Minutes     | 75%                       | 30 Minutes     | 100%                      | 30 Minutes     |
| More than 3 Years                 | 25%                         | 2 Hours        | 50%                           | 2 Hours        | 75%                       | 2 Hours        | 100%                      | 2 Hours        |

### 3.5. Mechanical Dimensions and Weight

#### 3.5.1. IP20 Units



| Drive Size | A   |       | B   |       | C   |       | D   |       | E   |      | F   |      | Weight |      |
|------------|-----|-------|-----|-------|-----|-------|-----|-------|-----|------|-----|------|--------|------|
|            | mm  | in    | mm  | in    | mm  | in    | mm  | in    | mm  | in   | mm  | in   | Kg     | lb   |
| 2          | 221 | 8.70  | 110 | 4.33  | 185 | 7.28  | 209 | 8.23  | 63  | 2.48 | 63  | 2.48 | 1.8    | 4.0  |
| 3          | 261 | 10.28 | 131 | 5.16  | 205 | 8.07  | 247 | 9.72  | 80  | 3.15 | 80  | 3.15 | 3.5    | 7.7  |
| 4          | 418 | 16.46 | 160 | 6.30  | 240 | 9.45  | 400 | 15.75 | 125 | 4.92 | 125 | 4.92 | 9.2    | 20.3 |
| 5          | 486 | 19.13 | 222 | 8.74  | 260 | 10.24 | 460 | 18.11 | 175 | 6.89 | 175 | 6.89 | 18.1   | 39.9 |
| 6A         | 614 | 24.17 | 286 | 11.25 | 320 | 12.59 | 578 | 22.75 | 200 | 7.87 | 200 | 7.87 | 32     | 70.5 |
| 6B         | 726 | 28.58 | 330 | 13    | 320 | 12.59 | 680 | 26.77 | 225 | 8.85 | 225 | 8.85 | 43     | 94.8 |

| Mounting Bolts |        |      |
|----------------|--------|------|
| Frame Size     | Metric | UNF  |
| 2              | M4     | #8   |
| 3              | M4     | #8   |
| 4              | M8     | 5/16 |
| 5              | M8     | 5/16 |
| 6A             | M8     | #8   |
| 6B             | M10    | 5/16 |

| Tightening Torques |            |                 |            |
|--------------------|------------|-----------------|------------|
|                    | Frame Size | Required Torque |            |
| Control Terminals  | All        | 0.5 Nm          | 4.5 lb-in  |
|                    | 2 & 3      | 1 Nm            | 9 lb-in    |
| Power Terminals    | 4          | 2 Nm            | 18 lb-in   |
|                    | 5          | 4 Nm            | 35.5 lb-in |
|                    | 6A         | 12 Nm           | 9 lb-ft    |
|                    | 6B         | 15 Nm           | 11 lb-ft   |

**NOTE**

\*The IP20 Frame Size 4 Chassis can obstruct the rotation (tightening) of a bolt or screw with a hex head, a fixing with a round head will be most suitable for the mounting of this unit.

### 3.5.2. IP55 Units



Mechanical Installation

3

| Drive Size | A    |       | B   |       | C   |       | D    |       | E   |      | F    |       | G  |      | H Ø  |      | I Ø |      | Weight |       |
|------------|------|-------|-----|-------|-----|-------|------|-------|-----|------|------|-------|----|------|------|------|-----|------|--------|-------|
|            | mm   | in    | mm  | in    | mm  | in    | mm   | in    | mm  | in   | mm   | in    | mm | in   | mm   | in   | mm  | in   | kg     | lb    |
| 4          | 450  | 17.72 | 171 | 6.73  | 252 | 9.92  | 428  | 16.85 | 110 | 4.33 | 433  | 17.05 | 8  | 0.31 | 8.50 | 0.34 | 15  | 0.60 | 11.5   | 25.4  |
| 5          | 540  | 21.26 | 235 | 9.25  | 270 | 10.63 | 515  | 20.28 | 175 | 6.89 | 520  | 20.47 | 8  | 0.31 | 8.50 | 0.34 | 15  | 0.60 | 23     | 50.7  |
| 6          | 865  | 34.06 | 330 | 12.99 | 330 | 12.99 | 830  | 32.68 | 200 | 7.87 | 840  | 33.07 | 10 | 0.39 | 11   | 0.44 | 22  | 0.86 | 55     | 121.2 |
| 7          | 1280 | 50.39 | 330 | 12.99 | 360 | 14.17 | 1245 | 49.02 | 200 | 7.87 | 1255 | 49.41 | 10 | 0.39 | 11   | 0.44 | 22  | 0.86 | 89     | 196.2 |

| Mounting Bolts |        |      |
|----------------|--------|------|
| Frame Size     | Metric | UNF  |
| 4              | M8     | #8   |
| 5              | M8     | #8   |
| 6              | M10    | 5/16 |
| 7              | M10    | 5/16 |

| Tightening Torques |            |                 |            |
|--------------------|------------|-----------------|------------|
|                    | Frame Size | Required Torque |            |
| Control Terminals  | All        | 0.5 Nm          | 4.5 lb-in  |
| Power Terminals    | 4          | 2 Nm            | 18 lb-in   |
|                    | 5          | 4 Nm            | 35.5 lb-in |
|                    | 6          | 15 Nm           | 11 lb-ft   |
|                    | 7          | 15 Nm           | 11 lb-ft   |

### 3.5.3. IP66 Units



| Drive Size | A   |       | B   |      | C   |       | D   |      | E   |      | F   |       | G  |      | H Ø |      | I Ø |      | Weight |      |
|------------|-----|-------|-----|------|-----|-------|-----|------|-----|------|-----|-------|----|------|-----|------|-----|------|--------|------|
|            | mm  | in    | mm  | in   | mm  | in    | mm  | in   | mm  | in   | mm  | in    | mm | in   | mm  | in   | mm  | in   | kg     | lb   |
| 2          | 257 | 10.12 | 188 | 7.40 | 239 | 9.41  | 200 | 7.87 | 178 | 7.01 | 220 | 8.66  | 29 | 1.12 | 4.2 | 0.17 | 8.5 | 0.33 | 4.8    | 10.6 |
| 3          | 310 | 12.20 | 211 | 8.29 | 266 | 10.47 | 252 | 9.90 | 200 | 7.87 | 277 | 10.89 | 33 | 1.31 | 4.2 | 0.17 | 8.5 | 0.33 | 7.7    | 16.8 |

| Mounting Bolts |        |     |
|----------------|--------|-----|
| Frame Size     | Metric | UNF |
| 2              | M4     | #8  |
| 3              | M4     | #8  |

| Tightening Torques |            |                 |           |
|--------------------|------------|-----------------|-----------|
|                    | Frame Size | Required Torque |           |
| Control Terminals  | All        | 0.5 Nm          | 4.5 lb-in |
| Power Terminals    | 2 & 3      | 1 Nm            | 9 lb-in   |



### 3.6. Guidelines for Enclosure Mounting (IP20 Units)

- IP20 drives are suitable for use in pollution degree 1 environments, according to IEC-664-1. For pollution degree 2 or higher environments, drives should be mounted in a suitable control cabinet with sufficient ingress protection to maintain a pollution degree 1 environment around the drive.
- Enclosures should be made from a thermally conductive material.
- Ensure the minimum air gap clearances around the drive as shown below are observed when mounting the drive.
- Where ventilated enclosures are used, there should be venting above the drive and below the drive to ensure good air circulation. Air should be drawn in below the drive and expelled above the drive.
- In any environments where the conditions require it, the enclosure must be designed to protect the Optidrive against ingress of airborne dust, corrosive gases or liquids, conductive contaminants (such as condensation, carbon dust, and metallic particles) and sprays or splashing water from all directions.
- High moisture, salt or chemical content environments should use a suitably sealed (non-vented) enclosure.

The enclosure design and layout should ensure that the adequate ventilation paths and clearances are left to allow air to circulate through the drive heatsink. Inverter Drives recommend the following minimum sizes for drives mounted in non-ventilated metallic enclosures:



| Drive Size | X<br>Above & Below |       | Y<br>Either Side |      | Z<br>Between |      | Recommended<br>airflow |     |
|------------|--------------------|-------|------------------|------|--------------|------|------------------------|-----|
|            | mm                 | in    | mm               | in   | mm           | in   | m3/min                 | CFM |
| 2          | 75                 | 2.95  | 10               | 0.39 | 46           | 1.81 | 0.3                    | 11  |
| 3          | 100                | 3.94  | 10               | 0.39 | 52           | 2.05 | 0.9                    | 31  |
| 4          | 200                | 7.87  | 25               | 0.98 | 70           | 2.76 | 1.7                    | 62  |
| 5          | 200                | 7.87  | 25               | 0.98 | 70           | 2.76 | 2.9                    | 104 |
| 6A         | 200                | 7.87  | 25               | 0.98 | 70           | 2.76 |                        |     |
| 6B         | 200                | 7.87  | 25               | 0.98 | 70           | 2.76 |                        |     |
| 8          | 300                | 11.81 | 100              | 3.94 |              |      | 20                     | 705 |

**NOTE**

Dimension Z assumes that the drives are mounted side-by-side with no clearance.

Typical drive heat losses are <3% of operating load conditions.

Above are guidelines only and the operating ambient temperature of the drive **MUST** be maintained at all times.

### 3.7. Mounting the Drive – IP20 Units

- IP20 Units are intended for installation within a control cabinet.
- When mounting with screws:
  - Using the drive as a template, or the dimensions shown above, mark the locations for drilling.
  - Ensure that when mounting locations are drilled, the dust from drilling does not enter the drive.
  - Mount the drive to the cabinet backplate using suitable M5 mounting screws.
  - Position the drive, and tighten the mounting screws securely.
- When Din Rail Mounting (Frame Size 2 Only):
  - Locate the DIN rail mounting slot on the rear of the drive onto the top of the DIN rail first.
  - Press the bottom of the drive onto the DIN rail until the lower clip attaches to the DIN rail.
  - If necessary, use a suitable flat blade screw driver to pull the DIN rail clip down to allow the drive to mount securely on the rail.
  - To remove the drive from the DIN rail, use a suitable flat blade screwdriver to pull the release tab downwards, and lift the bottom of the drive away from the rail first.

### 3.8. Guidelines for Mounting (IP55 Units)

- Before mounting the drive, ensure that the chosen location meets the environmental condition requirements for the drive shown in section 10.1. *Environmental* on page 68.
- The drive must be mounted vertically, on a suitable flat surface.
- The minimum mounting clearances as shown in the table below must be observed.
- The mounting site and chosen mountings should be sufficient to support the weight of the drives.
- IP55 units do not require mounting inside an electrical control cabinet; however they may be if desired.
- Using the drive as a template, or the dimensions shown above, mark the locations required for drilling.
- Suitable cable glands to maintain the IP protection of the drive are required. Gland sizes should be selected based on the number and size of the required connection cables. Drives are supplied with a plain, undrilled gland plate to allow the correct hole sizes to be cut as required. Remove the gland plate from the drive prior to drilling.





| Drive Size | X - Above & Below |      | Y - Either Side |      |
|------------|-------------------|------|-----------------|------|
|            | mm                | in   | mm              | in   |
| 4          | 200               | 7.87 | 10              | 0.39 |
| 5          | 200               | 7.87 | 10              | 0.39 |
| 6          | 200               | 7.87 | 10              | 0.39 |
| 7          | 200               | 7.87 | 10              | 0.39 |

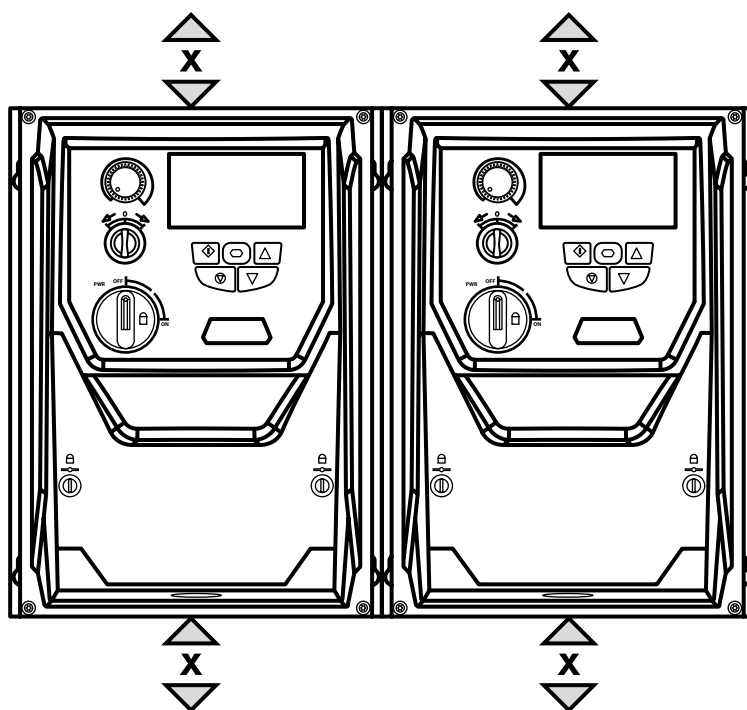
**NOTE**

Typical drive heat losses are approximately 3% of operating load conditions.

Above are guidelines only and the operating ambient temperature of the drive MUST be maintained at all times.

**3.9. Guidelines for Mounting (IP66 Units)**

- Before mounting the drive, ensure that the chosen location meets the environmental condition requirements for the drive shown in section 10.1. *Environmental*.
- The drive must be mounted vertically, on a suitable flat surface.
- The minimum mounting clearances as shown in the table below must be observed.
- The mounting site and chosen mountings should be sufficient to support the weight of the drives.
- Using the drive as a template, or the dimensions shown below, mark the locations required for drilling.
- Suitable cable glands to maintain the ingress protection of the drive are required. Gland holes for power and motor cables are pre-moulded into the drive enclosure, recommended gland sizes are shown above. Gland holes for control cables may be cut as required.



| Drive Size | X Above & Below |      | Cable Gland Sizes |             |             |                |
|------------|-----------------|------|-------------------|-------------|-------------|----------------|
|            | mm              | in   | Frame             | Power Cable | Motor Cable | Control Cables |
| 2          | 200             | 7.87 | 2                 | M25 (PG21)  | M25 (PG21)  | M20 (PG13.5)   |
| 3          | 200             | 7.87 | 3                 | M25 (PG21)  | M25 (PG21)  | M20 (PG13.5)   |

**NOTE**

Typical drive heat losses are approximately 3% of operating load conditions.

Above are guidelines only and the operating ambient temperature of the drive MUST be maintained at all times.

### 3.10. Removing the Terminal Cover

#### 3.10.1. Frame Sizes 2 & 3



#### Terminal Cover Release Screws

Using a suitable flat blade screwdriver, rotate retaining screws indicated by arrows until the screw slot is vertical.

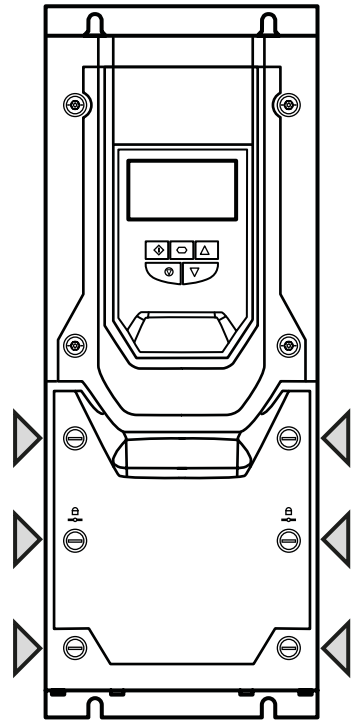
#### 3.10.2. Frame Size 4



#### 3.10.3. Frame Size 5



#### 3.10.4. Frame Sizes 6 & 7



### 3.11. Routine Maintenance

The drive should be included within the scheduled maintenance program so that the installation maintains a suitable operating environment, this should include:

- Ambient temperature is at or below that set out in section 10.1. *Environmental*.
- Heat sink fans freely rotating and dust free.
- The Enclosure in which the drive is installed should be free from dust and condensation; furthermore ventilation fans and air filters should be checked for correct air flow.

Checks should also be made on all electrical connections, ensuring screw terminals are correctly torqued; and that power cables have no signs of heat damage.

## 4. Electrical Installation

### 4.1. Connection Diagram

All power terminal locations are marked directly on the product. IP20 Frame Size 2 – 4 units have AC/DC power input located at the top with the motor and brake resistor connections located at the bottom. All other units have power terminals located at the bottom.

#### 4.1.1. Electrical Power Connections



**NOTE** Enclosed drives are not suitable for rigid conduit system connection.

## 4.2. Protective Earth (PE) Connection

### 4.2.1. Grounding Guidelines

Adequate safety earthing must be provided in accordance with local wiring rules and codes of practice. The ground terminal of each Optidrive should be connected back to the common safety earth bar to maintain touch potentials within safe limits. The ground terminal of each Optidrive should be individually connected DIRECTLY to the site ground bus bar (through the EMC filter if installed). Optidrive ground connections should not loop from one drive to another, or to, or from any other equipment. Ground impedance must conform to local industrial safety regulations and/or electrical codes.

To meet UL regulations, UL approved ring crimp terminals should be used for all ground wiring connections.

The integrity of all ground connections should be checked periodically.

### 4.2.2. Protective Earth Conductor

The Cross sectional area of the PE Conductor must be at least equal to that of the incoming supply conductors.

### 4.2.3. Motor Ground

The driven motor must be locally connected to a suitable ground location to maintain touch potentials within safe limits. In addition, the motor ground must be connected to one of the ground terminals on the drive.

### 4.2.4. Ground Fault Monitoring

As with all inverters, a leakage current to earth can exist. The Optidrive is designed to produce the minimum possible leakage current whilst complying with worldwide standards. The level of current is affected by motor cable length and type, the effective switching frequency, the earth connections used and the type of RFI filter installed. If an ELCB (Earth Leakage Circuit Breaker) is to be used, the following conditions apply:

- A Type B Device must be used.
- Individual device should be used for each Optidrive.
- The device must be suitable for protecting equipment with a DC component in the leakage current.
- The device should be not sensitive to high frequency leakage current.

### 4.2.5. Shield Termination (Cable Screen)

The safety ground terminal provides a grounding point for the motor cable shield. The motor cable shield connected to this terminal (drive end) should also be connected to the motor frame (motor end). Use a shield terminating or EMI clamp to connect the shield to the safety ground terminal, refer to section 4.13. *EMC Compliant Installation* on page 26.

## 4.3. Incoming Power Connection

### 4.3.1. Suitability

All Optidrive P2 models are designed for use on a single phase or balanced three phase supply depending on the model.

For all models and ratings when working with an IT Supply network, or any power supply type where the phase to earth voltage may exceed the phase to phase voltage (such as ungrounded supplies), the internal EMC filter and surge protection must be disconnected before connecting the supply. Refer to section 10.5. *Internal EMC Filter and Varistors – Disconnection Procedure* on page 72 for further information.

For three phase supply models, a maximum of 3% imbalance is allowed between phases.

### 4.3.2. Cable Selection

- For 1 phase ac supply, power should be connected to L1/L, L2/N.
- For a DC Supply, the main power cables should be connected to L1/L, L2/N.
- For 3 phase ac supplies, the mains power cables should be connected to L1, L2, and L3. Phase sequence is not important. Neutral connection is not required.

For compliance with CE and C Tick EMC requirements, refer to section 4.10. *Control Terminal Connections* on page 24.

- A fixed installation is required according to IEC61800-5-1 with a suitable disconnecting device installed between the Optidrive and the main Power Source. The disconnecting device must conform to the local safety code / regulations (e.g. within Europe, EN60204-1, Safety of machinery).
- The cables should be dimensioned according to any local codes or regulations. Maximum dimensions for each drive model are given in section 10.2. *Input/Output Power and Current Ratings* on page 68.

### 4.3.3. Fuse / Circuit Breaker Selection

- Suitable fuses to provide wiring protection of the input power cable should be installed in the incoming supply line, according to the data in section 10.2. *Input/Output Power and Current Ratings* on page 68.
- The fuses must comply with any local codes or regulations in place. In general, type gG (IEC 60269) or UL type J fuses are suitable; however in some cases type aR fuses may be required. The operating time of the fuses must be below 0.5 seconds.
- Where allowed by local regulations, suitably dimensioned type B MCB circuit breakers of equivalent rating may be utilised in place of fuses, providing that the clearing capacity is sufficient for the installation.
- The maximum permissible short circuit current at the Optidrive Power terminals as defined in IEC60439-1 is 100kA.
- The Optidrive provides thermal and short circuit protection for the connected motor and motor cable.

#### 4.3.4. Optional Input Choke

An optional Input Choke is recommended to be installed in the supply line for drives where any of the following conditions occur:

- The incoming supply impedance is low or the fault level / short circuit current is high.
- The supply is prone to dips or brown outs.
- An unbalanced supply system is used (3 phase drives) where the voltage levels during on load operation exceed the designed 3% capacity of the Optidrive.
- The power supply to the drive is via a busbar and brush gear system (typically overhead Cranes).

In all other installations, an input choke is recommended to ensure protection of the drive against power supply faults.

#### 4.4. Operation of 3 Phase drives from a Single Phase Supply

A special function of Optidrive P2 allows all drives designed for operation on 3 phase supplies to be operated on a single phase supply of the correct rated voltage at up to 50% of the nominal capacity.

For Example, Model Number ODP-2-64450-3KA4N can be operated on a single phase supply, 380 – 480 volts, with the maximum output current limited to 45 Amps.

The supply must be connected to the L1 and L2 terminals of the drive.

#### 4.5. Operation with DC Power Supply or Common DC Bus

Optidrive P2 models provide terminals to directly connect to the DC Bus for applications which require this. For further information on using the DC Bus connections, please refer to your Invertek Drives sales Partner.

#### 4.6. Motor Connection

- The drive inherently produces fast switching of the output voltage (PWM) to the motor compared to the mains supply, for motors which have been wound for operation with a variable speed drive then there is no preventative measures required, however if the quality of insulation is unknown then the motor manufacturer should be consulted and preventative measures may be required.
- The motor should be connected to the Optidrive U, V, and W terminals using a suitable 3 or 4 core cable. Where a 3 core cable is utilised, with the shield operating as an earth conductor, the shield must have a cross sectional area at least equal to the phase conductors when they are made from the same material. Where a 4 core cable is utilised, the earth conductor must be of at least equal cross sectional area and manufactured from the same material as the phase conductors.
- Automatic switchgear should not be installed between the drive output and the motor, opening and closing contacts in this circuit whilst the drive is energised will inevitably reduce the lifetime of the drive and could cause product failure. If an isolator is required to be placed between the drive and the motor in order to comply with local regulations, the device must not be operated when the drive is running.
- For compliance with the European EMC directive, a suitable screened (shielded) cable should be used. Braided or twisted type screened cable where the screen covers at least 85% of the cable surface area, designed with low impedance to HF signals are recommended as a minimum. Installation within a suitable steel or copper tube is generally also acceptable.

The motor earth must be connected to one of the Optidrive earth terminals to provide a low impedance path for common mode leakage current to return to the drive. This is best achieved in practice by using a cable with suitable shielding which provides a low impedance path at high frequencies, and ensuring correct, low impedance earth bonding of the motor cable at both ends. For further information, refer to section 4.13. *EMC Compliant Installation* on page 26.

#### 4.7. Motor Terminal Box Connections

Most general purpose motors are wound for operation on dual voltage supplies. This is indicated on the nameplate of the motor. This operational voltage is normally selected when installing the motor by selecting either STAR or DELTA connection. STAR always gives the higher of the two voltage ratings.

| Incoming Supply Voltage | Motor Nameplate Voltages | Connection |   |
|-------------------------|--------------------------|------------|---|
| 230                     | 230 / 400                | Delta<br>Δ |  |
| 400 / 460               | 400 / 690                |            |   |
| 575                     | 575 / 1000               |            |   |
| 400                     | 230 / 400                | Star<br>λ  |  |
| 575                     | 330 / 575                |            |   |

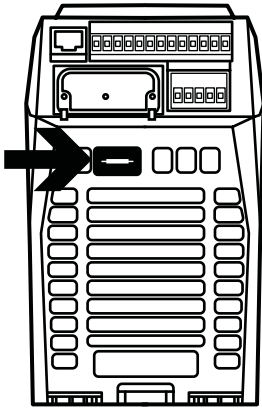
## 4.8. Connecting a Brake Resistor

Optidrive P2 units feature an internal brake transistor, fitted as standard for all models. The brake resistor should be connected to the DC+ and BR terminals of the drive. These terminals are shrouded, and the shrouding should be removed to access the terminals.

### 4.8.1. IP20 Drive Models

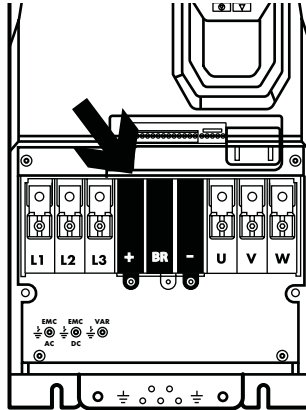
#### Frame Sizes 2, 3, 4 & 5

Remove the plastic cover from the base of the drive as indicated.



#### Frame Sizes 6a/ 6b

Remove the plastic cover from inside the drive as indicated.



### 4.8.2. IP55 & IP66

#### All frame sizes

Remove the plastic cover from inside the drive as indicated.

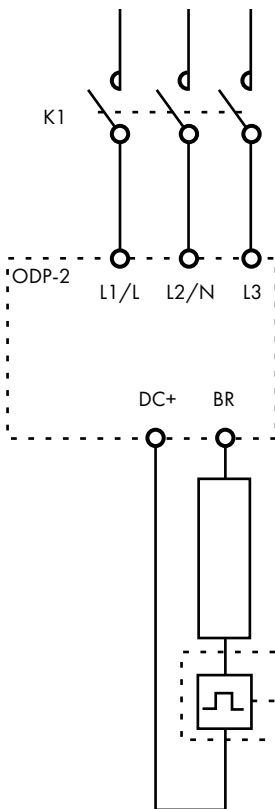


The brake transistor is enabled using P1-05 (Refer to section 6.2. *Parameter Group 1 – Basic Parameters* on page 35 for further information).

Software protection against brake resistor overload is carried out within the drive. For correct protection of the brake resistor, the following settings are required:

- Set P1-14 = 201.
- Enter the resistance of the brake resistor in P6-19 (Ohms).
- Enter the power of the brake resistor in P6-20 (kW).

#### Dynamic Brake Resistor with Thermal Overload Protection



Thermal Overload / Brake Resistor with internal Over Temperature switch

**It is highly recommended to equip the drive with a main contactor and provide and use an additional thermal overload protection for braking resistor.**

**The contactor should be wired so that it opens in case the resistor overheats, otherwise the drive will not be able to interrupt the main supply if the brake chopper remains closed (short-circuited) in a faulty situation.**

**It is also recommended to wire the thermal overload protection to a digital input of the drive as an External Trip.**



**The voltage level at these terminals may exceed 800VDC.**

**Stored charge may be present after disconnecting the mains power.**

**Allow a minimum of 5 minutes discharge after power off before attempting any connection to these terminals.**

## 4.9. Control Terminal Wiring

- All analog signal cables should be suitably shielded. Twisted pair cables are recommended.
- Power and Control Signal cables should be routed separately where possible, and must not be routed parallel to each other.
- Signal levels of different voltages e.g. 24 Volt DC and 110 Volt AC, should not be routed in the same cable.
- Maximum control terminal tightening torque is 0.5Nm.
- Control Cable entry conductor size: 0.05 – 2.5mm<sup>2</sup> / 30 – 12 AWG.

### 4.9.1. Control Connections



**NOTE**

\* Dashed lines shows connection for analog inputs in digital mode    \*\* Optional external 24 V DC power supply

|           | Key         | Default Function                         | Default Function   |                  | Sec.   | Page |
|-----------|-------------|--|--|------------------|--------|------|
|           |             |  | Open   | Closed           |        |      |
| <b>1</b>  | +24V DC     | 24 Volt DC Input / Output                | On-board +24V DC Supply (100mA) or External 24V DC Input |                  | 4.10.1 | 24   |
| <b>2</b>  | DI 1        | Digital Input 1 (Run Enable)             | STOP   | RUN              | 4.10.2 | 24   |
| <b>3</b>  | DI 2        | Digital Input 2                          | FORWARD  | REVERS           | 4.10.2 | 24   |
| <b>4</b>  | DI 3        | Digital Input 3                          | P1-12 Reference  | Presef Speeds    | 4.10.2 | 24   |
| <b>5</b>  | +10V DC     | +10Volt DC Output                        | On-board +10V DC Supply (10 mA)                          |                  |        |      |
| <b>6</b>  | AI 1 / DI 4 | Analog Input 1 / Digital Input 4         | Speed Reference 1 (0-10V)                                |                  | 4.10.3 | 24   |
| <b>7</b>  | 0V / COM    | 0 Volt Common                            | 0V Common for AI/AO/DI/DO                                |                  |        |      |
| <b>8</b>  | AO 1        | Analog Output 1                          | Motor Speed (0-10V)                                      |                  | 4.10.4 | 24   |
| <b>9</b>  | 0V / COM    | 0 Volt Common                            | 0V Common for AI/AO/DI/DO                                |                  |        |      |
| <b>10</b> | AI 2 / DI 5 | Analog Input 2 / Digital Input 5         | P2-01 Speed Ref.   | P2-02 Speed Ref. | 4.10.3 | 24   |
| <b>11</b> | AO2         | Analog Output 2                          | Motor Current (0-10V)                                    |                  | 4.10.4 | 24   |
| <b>12</b> | STO+        | STO + 24V DC Connection                  | InHibit  | Run Permit       | 4.14   | 27   |
| <b>13</b> | STO-        | STO 0 Volt Connection                    |  |                  |        |      |
| <b>14</b> | RL1-COM     | Auxiliary Relay Output 1 Common          |  |                  | 4.10.5 | 25   |
| <b>15</b> | RL1-NO      | Auxiliary Relay Output 1 Normally Open   | Drive Healthy  | Drive Faulty     | 4.10.5 | 25   |
| <b>16</b> | RL1-NC      | Auxiliary Relay Output 2 Normally Closed | Drive Faulty   | Drive Healthy    | 4.10.5 | 25   |
| <b>17</b> | RL2-A       | Auxiliary Relay Output 2                 | Drive Stopped  | Drive Running    | 4.10.5 | 25   |
| <b>18</b> | RL2-B       | Auxiliary Relay Output 2                 |  |                  |        |      |

**NOTE** Digital Inputs: Logic High = 8-30V DC (30 V DC max)    Analog Outputs: 0 – 10 Volt / 4-20mA (20mA max)

SAFE TORQUE OFF input: Logic High = 18-30 Vdc (Also refer to section 4.14. Safe Torque Off)

## 4.10. Control Terminal Connections

Example connection schematics are provided in section 7.3. *Example Connection Schematics* on page 42.

### 4.10.1. +24VDC Input / Output

When the mains power is applied to the drive, terminal 1 provides a +24VDC output, maximum load 100mA. This may be used to activate digital inputs or provide power to sensors.

When no mains power is applied to the drive, the drive control electronics may be powered from an external +24VDC source. When powered in this way, all analog and digital I/O and communication functions remain operative, however the motor may not be operated, which allows safe testing and commissioning of the installation without risk of high voltage being present. When powered in this way, the drive requires up to 100mA.

### 4.10.2. Digital Inputs

Up to five digital inputs are available. The function of the inputs is defined by parameters P1-12 and P1-13, which are explained in section 7. *Control Terminal Functions* on page 38.

### 4.10.3. Analog Inputs

Two analog inputs are available, which may also be used as digital Inputs if required. The signal formats are selected by parameters as follows:

- Analog Input 1 Format Selection Parameter P2-30.
- Analog Input 2 Format Selection Parameter P2-33.

These parameters are described more fully in section 8.1. *Parameter Group 2 - Extended Parameters* on page 45.

The function of the analog input, e.g. for speed reference or PID feedback for example is defined by parameters P1-12 and P1-13. The function of these parameters and available options are described in section 7. *Control Terminal Functions* on page 38.



### 4.10.4. Analog Outputs

Two analog outputs are available, and may be used for 0 – 10 Volt Signal (max load 20mA), 0 – 20mA, 4 – 20mA or a digital +24Volt DC, 20mA output. The parameters to select function and format are as follows.

| Analog Output   | Function selected by | Format selected by |
|-----------------|----------------------|--------------------|
| Analog Output 1 | P2-11                | P2-12              |
| Analog Output 2 | P2-13                | P2-14              |

These parameters are described more fully in section 8.1. *Parameter Group 2 - Extended Parameters* on page 45.



### 4.10.5. Auxiliary Relay Outputs

Two relay outputs are available, which are intended to be used to switch external resistive loads up to 6A at 230 VAC or 5A at 30VDC.

Relay 1 has both normally open and normally closed contacts available. Relay 2 provides a simple open or closed contact.

The relay output function may be configured using parameters P2-15 and P2-18, which are described in section 8.1. *Parameter Group 2 - Extended Parameters* on page 45.

### 4.11. IP66 Switched Version Integrated Control Switch and Potentiometer Wiring

Optidrive P2 is optionally available with an integrated mains disconnect / isolator and front mounted control switch and potentiometer. This allows the drive to be operated directly from the front control panel, whilst also providing for options such as Hand / Auto or Local / Remote Control etc.

The built in switch and pot are wired inside the terminal cover directly to the user control terminals as shown in the diagram below. These connections may be disconnected by the user if they are not required.

Integrated Control Switch and Potentiometer Wiring

The control switch activates the first two digital inputs as follows:

| Switch Position |    |     |     |
|-----------------|----|-----|-----|
| DI1             | ON | OFF | ON  |
| DI2             | ON | OFF | OFF |

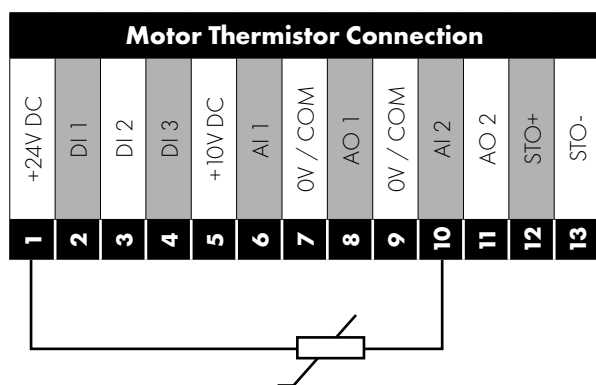
### 4.12. Motor Thermal Overload Protection

#### 4.12.1. Internal Thermal Overload Protection

Optidrive P2 has internal motor overload protection (current limit) set at 150% of FLC. This level may be adjusted using P4-07. The drive has an in-built motor thermal overload function; this is in the form of an "I.t-trP" trip after delivering >100% of the value set in P1-08 for a sustained period of time (e.g. 150% for 60 seconds).

#### 4.12.2. Motor Thermistor Connection

Where a motor thermistor is to be used, it should be connected as follows:



Additional Information

- Compatible Thermistor: PTC Type, 2.5kΩ trip level.
- Use a setting of P1-13 that has Input 5 function as E-TRIP "External Trip", e.g. P1-13 = 6. Refer to section 7.2. *Digital Input Configuration Parameter P1-13* on page 40 for further details.
- Enable the Motor PTC Thermistor Input function in parameter P2-33.

### 4.13. EMC Compliant Installation

#### 4.13.1. Recommended Installation for EMC Compliance



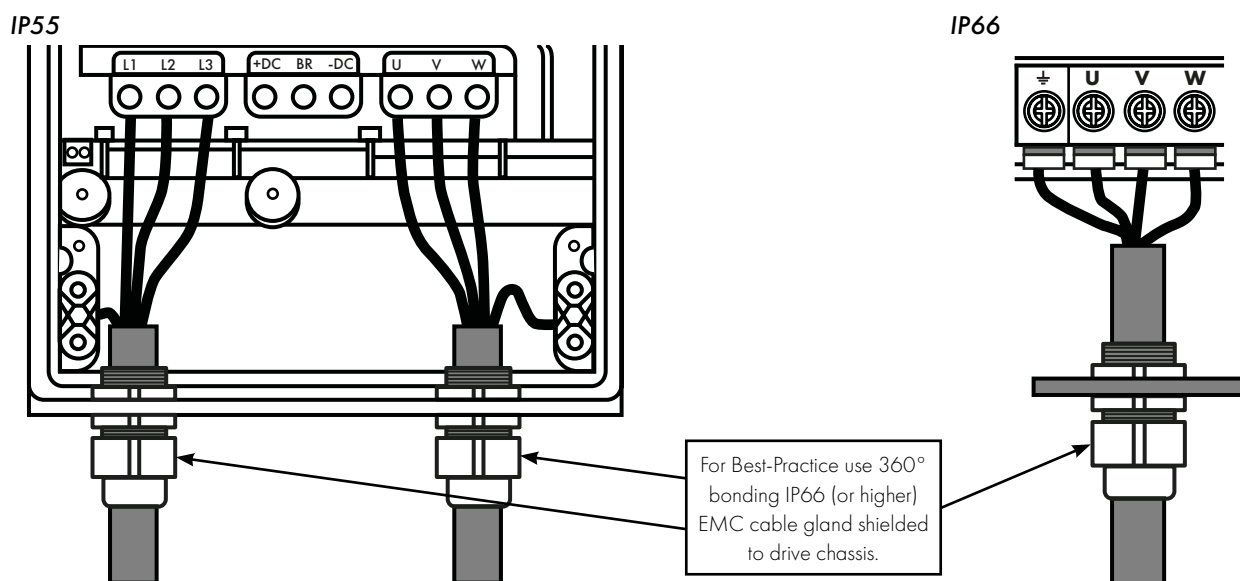
#### 4.13.2. Recommended Cable Types by EMC Category

| Category            | Supply Cable Type       | Motor Cable Type        | Control Cables        | Maximum Permissible Motor Cable Length |
|---------------------|-------------------------|-------------------------|-----------------------|--|
| C1 <sup>6,7,8</sup> | Shielded <sup>1</sup>   | Shielded <sup>1,5</sup> |                       | 1M / 5M <sup>9</sup>                   |
| C2 <sup>8</sup>     | Shielded <sup>2</sup>   | Shielded <sup>1,5</sup> | Shielded <sup>4</sup> | 5M / 25M <sup>9</sup>                  |
| C3 <sup>8</sup>     | Unshielded <sup>3</sup> | Shielded <sup>2</sup>   |                       | 25M / 100M <sup>9</sup>                |

1. A screened (shielded) cable suitable for fixed installation with the relevant mains voltage in use. Braided or twisted type screened cable where the screen covers at least 85% of the cable surface area, designed with low impedance to HF signals. Installation of a standard cable within a suitable steel or copper tube is also acceptable.
2. A cable suitable for fixed installation with relevant mains voltage with a concentric protection wire. Installation of a standard cable within a suitable steel or copper tube is also acceptable.
3. A cable suitable for fixed installation with relevant mains voltage. A shielded type cable is not necessary.
4. A shielded cable with low impedance shield. Twisted pair cable is recommended for analog signals.

5. The cable shield should be terminated at the motor end using an EMC type gland allowing connection to the motor body through the largest possible surface area. The shield must also be terminated at the drive end, as close as practically possible to the drive output terminals. Where drives are mounted in a steel control panel enclosure, the cable screen may be terminated directly to the control panel backplate using a suitable EMC clamp or gland fitted as close to the drive as possible. The drive earth terminal must also be connected directly to this point, using a suitable cable which provides low impedance to high frequency currents. For IP55 and IP66 drives, connect the motor cable shield to the gland plate or internal ground clamp.
6. 230 Volt, 1 phase input drives using internal EMC filter. Other models require external EMC filter.
7. Compliance with category C1 conducted emissions only is achieved. For compliance with category C1 radiated emissions, additional measures may be required, contact your Sales Partner for further assistance.
8. EMC categories for drives with internal filter EMC filter and rated voltage less than 480 Volts. For other drives, additional EMC filtering is required.
9. Permissible cable length with additional external EMC filter.

### 4.13.3. Enclosed Drives Recommended Cable Connections



## 4.14. Safe Torque Off

Safe Torque Off will be referred to as "STO" through the remainder of this section.

### 4.14.1. Responsibilities

The overall system designer is responsible for defining the requirements of the overall "Safety Control System" within which the drive will be incorporated; furthermore the system designer is responsible for ensuring that the complete system is risk assessed and that the "Safety control System" requirements have been entirely met and that the function is fully verified, this must include confirmation testing of the "STO" function before drive commissioning.

The system designer shall determine the possible risks and hazards within the system by carrying out a thorough risk and hazard analysis, the outcome of the analysis should provide an estimate of the possible hazards, furthermore determine the risk levels and identify any needs for risk reduction. The "STO" function should be evaluated to ensure it can sufficiently meet the risk level required.

### 4.14.2. What STO Provides

The purpose of the "STO" function is to provide a method of preventing the drive from creating torque in the motor in the absence of the "STO" input signals (Terminal 12 with respect to Terminal 13), this allows the drive to be incorporated into a complete safety control system where "STO" requirements need to be fulfilled.<sup>1</sup>

The "STO" function can typically eliminate the need for electro-mechanical contactors with cross-checking auxiliary contacts as per normally required to provide safety functions.<sup>2</sup>

The drive has the "STO" function built-in as standard and complies with the definition of "Safe torque off" as defined by IEC 61800-5-2:2007.

The "STO" function also corresponds to an uncontrolled stop in accordance with category 0 (Emergency Off), of IEC 60204-1. This means that the motor will coast to a stop when the "STO" function is activated, this method of stopping should be confirmed as being acceptable to the system the motor is driving.

The "STO" function is recognised as a fail-safe method even in the case where the "STO" signal is absent and a single fault within the drive has occurred, the drive has been proven in respect of this by meeting the following safety standards:

|                     | <b>SIL<br/>(Safety Integrity Level)</b> | <b>PFHD<br/>(Probability of dangerous Failures per Hour)</b> | <b>SFF<br/>(Safe failure fraction %)</b> | <b>Lifetime assumed</b> |
|---------------------|---|--|--|-------------------------|
| <b>EN 61800-5-2</b> | 2                                       | 1.23E-09 1/h (0.12 % of SIL 2)                               | 50                                       | 20 Yrs                  |


|                       | <b>PL<br/>(Performance Level)</b> | <b>CCF (%)<br/>(Common Cause Failure)</b> | <b>MTTFd</b> | <b>Category</b> |
|-----------------------|-----------------------------------|---|--------------|-----------------|
| <b>EN ISO 13849-1</b> | PL d                              | 1   | 4525a        | 3               |

|                 | <b>SILCL</b> |
|-----------------|--------------|
| <b>EN 62061</b> | SILCL 2      |

**NOTE** The values achieved above maybe jeopardised if the drive is installed outside of the Environmental limits detailed in section 10.1. *Environmental.*

**4.14.3. What STO Does Not Provide**

|  |  |
|--|--|
|  | Disconnect and ISOLATE the drive before attempting any work on it. The "STO" function does not prevent high voltages from being present at the drive power terminals.  |
|  | <sup>1</sup> <b>NOTE</b> The "STO" function does not prevent the drive from an unexpected re-start. As soon as the "STO" inputs receive the relevant signal it is possible (subject to parameter settings) to restart automatically, Based on this, the function should not be used for carrying out short-term non-electrical machinery operations (such as cleaning or maintenance work).  |
|  | <sup>2</sup> <b>NOTE</b> In some applications additional measures may be required to fulfil the systems safety function needs: the "STO" function does not provide motor braking. In the case where motor braking is required a time delay safety relay and/or a mechanical brake arrangement or similar method should be adopted, consideration should be made over the required safety function when braking as the drive braking circuit alone cannot be relied upon as a fail safe method. |
|  | When using permanent magnet motors and in the unlikely event of a multiple output power devices failing then the motor could effectively rotate the motor shaft by 180/p degrees (Where p denotes number of motor pole pairs).   |

**4.14.4. "STO" Operation**

When the "STO" inputs are energised, the "STO" function is in a standby state, if the drive is then given a "Start signal/command" (as per the start source method selected in P1-13) then the drive will start and operate normally.

When the "STO" inputs are de-energised then the STO Function is activated and stops the drive (Motor will coast), the drive is now in "Safe Torque Off" mode.

To get the drive out of "Safe Torque Off" mode then any "Fault messages" need to be reset and the drive "STO" input needs to be re-energised.

**4.14.5. "STO" Status and Monitoring**

There are a number of methods for monitoring the status of the "STO" input, these are detailed below:

**Drive Display**

In Normal drive operation (Mains AC power applied), when the drives "STO" input is de-energised ("STO" Function activated) the drive will highlight this by displaying "InHibit".

**NOTE** If the drive is in a tripped condition then the relevant trip will be displayed and not "InHibit".

**Drive Output Relay**

- Drive relay 1: Setting P2-15 to a value of "13" will result in relay opening when the "STO" function is activated.
- Drive relay 2: Setting P2-18 to a value of "13" will result in relay opening when the "STO" function is activated.

**"STO" Fault Codes**

| <b>Fault Code</b> | <b>Code Number</b> | <b>Description</b>   | <b>Corrective Action</b>             |
|-------------------|--------------------|--|--------------------------------------|
| "Sto-F"           | 29                 | A fault has been detected within either of the internal channels of the "STO" circuit. | Refer to your Invertek Sales Partner |

#### 4.14.6. "STO" Function Response Time

The total response time is the time from a safety related event occurring to the components (sum of) within the system responding and becoming safe. (Stop Category 0 in accordance with IEC 60204-1).

- The response time from the "STO" inputs being de-energised to the output of the drive being in a state that will not produce torque in the motor ("STO" active) is less than 1ms.
- The response time from the "STO" inputs being de-energised to the "STO" monitoring status changing state is less than 20ms.
- The response time from the drive sensing a fault in the STO circuit to the drive displaying the fault on the display/Digital output showing drive not healthy is less than 20ms.

#### 4.14.7. "STO" Electrical Installation

The "STO" wiring shall be protected from inadvertent short circuits or tampering which could lead to failure of the "STO" input signal, further guidance is given in the diagrams below.

In addition to the wiring guidelines for the "STO" circuit below, section 4.13.1. *Recommended Installation for EMC Compliance* on page 26 should also be followed.

The drive should be wired as illustrated below; the 24Vdc signal source applied to the "STO" input can be either from the 24Vdc on the drive or from an External 24Vdc power supply.

#### 4.14.8. Recommended "STO" Wiring

##### Using an External 24Vdc Power Supply

##### Using the Drives On-board 24Vdc Supply



**NOTE** The Maximum cable length from Voltage source to the drive terminals should not exceed 25 mtrs.

#### 4.14.9. External Power Supply Specification

|                                      |                                       |
|--------------------------------------|---------------------------------------|
| <b>Voltage Rating (Nominal)</b>      | 24Vdc                                 |
| <b>STO Logic High</b>                | 18-30Vdc (Safe torque off in standby) |
| <b>Current Consumption (Maximum)</b> | 100mA                                 |

#### 4.14.10. Safety Relay Specification

The safety relay should be chosen so that at minimum it meets the safety standards in which the drive meets.

|                                  |   |
|----------------------------------|---|
| <b>Standard Requirements</b>     | SIL2 or PLd SC3 or better (With Forcibly guided Contacts) |
| <b>Number of Output Contacts</b> | 2 independent   |
| <b>Switching Voltage Rating</b>  | 30Vdc   |
| <b>Switching Current</b>         | 100mA   |

#### 4.14.11. Enabling the "STO" Function

The "STO" function is always enabled in the drive regardless of operating mode or parameter changes made by the user.

#### 4.14.12. Testing the "STO" Function

Before commissioning the system the "STO" function should always be tested for correct operation, this should include the following tests:

- With the motor at standstill, and a stop command given to the drive (as per the start source method selected in P1-13):
  - De-energise the "STO" inputs (Drive will display "InHibit").
  - Give a start command (as per the start source method selected in P1-13) and check that the drive still displays "Inhibit" and that the operation is in line with the section 4.14.4. "STO" Operation and section 4.14.5. "STO" Status and Monitoring.
- With the motor running normally (from the drive):
  - De-energise the "STO" inputs.
  - Check that the drive displays "Inhibit" and that the motor stops and that the operation is in line with the section and section 4.14.4. "STO" Operation and section 4.14.5. "STO" Status and Monitoring.

#### 4.14.13. "STO" Function Maintenance

The "STO" function should be included within the control systems scheduled maintenance program so that the function is regularly tested for integrity (Minimum once per Year), furthermore the function should be integrity tested following any safety system modifications or maintenance work. If drive fault messages are observed refer to section 11.1. Fault Messages on page 74 for further guidance.

# 5. Keypad and Display Operation

The drive is configured and its operation monitored via the keypad and display.

## 5.1. Keypad and Display Layout

Control Keypad provides access to the drive parameters, and also allows control of the drive when Keypad Mode is selected in P1-12.

**TFT Display**

**Main Displayed Parameter**  
Shows which of the selectable parameters is currently being shown on the main display, e.g. Motor Speed, Motor Current etc.

**Operating Information**  
Provides a real time display of key operating information, e.g. output current and power.

**Quick Help Button**  
Provides access to short description of the displayed messages.

**F1 Button**  
Functional Button which can be programmed only in internal PLC function block.

**Start Button**  
When in Hand mode, used to Start the drive.

**Stop / Reset Button**  
Used to reset a tripped drive.  
When in Keypad mode, used to Stop the drive.

P2 01

STOP

---

37kW 400V 3Ph

F1 ⓘ F2

⬅️ ➡️ ⬆️ ⬇️

⬆️ ⬇️

**Drive Address**  
Drive serial communication address set in parameter P5-01.

**Navigate Button**  
Used to display real-time information, to access and exit parameter edit mode and to store parameter changes.

**F2 Button**  
Functional Button which can be programmed only in internal PLC function block.

**Up Button**  
Used to increase speed in real-time mode or to increase parameter values in parameter edit mode.

**Down Button**  
Used to decrease speed in real-time mode or to decrease parameter values in parameter edit mode.

**OLED Display**

**Main Displayed Parameter**  
Shows which of the selectable parameters is currently being shown on the main display, e.g. Motor Speed, Motor Current etc.

**Operating Information**  
Provides a real time display of key operating information, e.g. output current and power.

**Start Button**  
When in Hand mode, used to Start the drive.

**Stop / Reset Button**  
Used to reset a tripped drive.  
When in Keypad mode, used to Stop the drive.

P2 01

STOP

---

37kW 400V 3Ph

⬅️ ⬆️ ⬇️ ⬇️

⬆️ ⬇️

**Drive Address**  
Drive serial communication address set in parameter P5-01.

**Navigate Button**  
Used to display real-time information, to access and exit parameter edit mode and to store parameter changes.

**Up Button**  
Used to increase speed in real-time mode or to increase parameter values in parameter edit mode.

**Down Button**  
Used to decrease speed in real-time mode or to decrease parameter values in parameter edit mode.

**LED Display**

**Display**  
Provides drive status information, real-time key operating information, parameters number and value.

**Start Button**  
When in Hand mode, used to Start the drive.

**Stop / Reset Button**  
Used to reset a tripped drive.  
When in Keypad mode, used to Stop the drive.

STOP

---

⬅️ ⬆️ ⬇️ ⬇️

⬆️ ⬇️

**Navigate Button**  
Used to display real-time information, to access and exit parameter edit mode and to store parameter changes.

**Up Button**  
Used to increase speed in real-time mode or to increase parameter values in parameter edit mode.

**Down Button**  
Used to decrease speed in real-time mode or to decrease parameter values in parameter edit mode.

## 5.2. Selecting the Language on the TFT and OLED Display

|   |   |  |
|---|---|--|
| <b>P2</b><br><b>STOP</b>                | <b>01</b><br><b>Select Language</b><br><b>Español</b><br><b>Deutsch</b><br><b>English</b> | <b>Select Language</b><br><b>Español</b><br><b>Deutsch</b><br><b>English</b> |
| <b>15kW 400V 3Ph</b>                    |   |  |
|   |   |  |
| Hold down the Start and Up keys for >1s | Use the Up and Down arrows to select a language.  | Press the Navigate button to select.   |

### 5.2.1. Operating Displays

| Inhibit / STO Active   | Drive Stopped             | Drive Running Output Frequency Display  | Drive Running Output Current Display   | Drive Running Motor Power Display  | Drive Running Motor Speed Display  |
|--|---------------------------|---|--|--|--|
| <b>LED Display :</b>   |                           |   |  |  |  |
| <i>1 nh ibt</i>  | <i>StoP</i>               | <i>H 50.0</i>   | <i>A 2.3</i>   | <i>P 1.50</i>  | <i>1500</i>  |
| <b>TFT and OLED Display :</b>  |                           |   |  |  |  |
| <b>P2</b><br><b>INHIBIT</b>  | <b>01</b><br><b>STOP</b>  | <b>P2</b><br><b>Output Frequency 01</b><br><b>23.7Hz</b>  | <b>01</b><br><b>Motor Current 01</b><br><b>15.3A</b>                                   | <b>01</b><br><b>Motor Power 01</b><br><b>6.9kW</b>                                 | <b>01</b><br><b>Motor Speed 01</b><br><b>718rpm</b>  |
| <b>15kW 400V 3Ph</b>   | <b>15kW 400V 3Ph</b>      | <b>15.3A 6.9kW</b>  | <b>6.9kW 23.7Hz</b>  | <b>23.7Hz 15.3A</b>  | <b>23.7Hz 15.3A</b>  |
|  |                           |   |  |  |  |
| Drive Inhibited. The STO connections are not made. Refer to section 4.14.8. Recommended "STO" Wiring on page 29. | Drive Stopped / Disabled. | Drive is enabled / running, display shows the output frequency (Hz). Press the Navigate key to select alternative displays. | Press the Navigate key for < 1 second. The display will show the motor current (Amps). | Press the Navigate key for < 1 second. The display will show the motor power (kW). | If P1-10 > 0, pressing the Navigate key for < 1 second will display the motor speed (RPM). |

## 5.3. Additional Display Messages

| Auto Tuning in Progress   | External 24VDC Supply   | Overload  | Switching Frequency Reduction                                     | Mains Loss   | Maintenance Time Elapsed                                     |
|---|---|---|---|--|--|
| <b>LED Display :</b>  |   |   |   |  |  |
| <i>Auto-t</i>   | <i>ExtL-24</i>  | <i>H 500</i>  | Not Indicated   | Not Indicated  | Not Indicated  |
| <b>TFT and OLED Display :</b>   |   |   |   |  |  |
| <b>Auto-tuning</b>  | <b>P2</b><br><b>01</b><br><b>Ext 24V</b>  | <b>P2</b><br><b>01</b><br><b>OL 23.7Hz</b>  | <b>P2</b><br><b>01</b><br><b>SF↓ 23.7Hz</b>                       | <b>P2</b><br><b>01</b><br><b>ML 23.7Hz</b>                           | <b>P2</b><br><b>01</b><br><b>⚠ 23.7Hz</b>                    |
|   | <b>External 24V mode</b>  | <b>15.3A 6.9kW</b>  | <b>15.3A 6.9kW</b>  | <b>15.3A 6.9kW</b>   | <b>15.3A 6.9kW</b>   |
|   |   |   |   |  |  |
| Auto tune in progress. See parameter P4-02 information in section 8.2.3. Parameter Group 4 - High Performance Motor Control on page 51. | The drive control board is powered only from an external 24 Volt source, with no mains power applied. | Indicates an Overload condition. Output current exceeds the motor rated current entered in Parameter P1-08. | Switching frequency is reduced, due to high heatsink temperature. | The incoming mains power supply has been disconnected or is missing. | The user programmable maintenance reminder time has elapsed. |



### 5.4. Changing Parameters

| LED Display :                                |   |  |   |   |   |
|--|---|--|---|---|---|
| StoP   | P1-01   | P1-08                                  | A 2.3   | P1-08   | StoP  |
| TFT and OLED Display :                       |   |  |   |   |   |
|  | P2 01   | P2 01                                  | P2 01   | P2 01   | P2 01   |
| <b>Stop</b>                                  | <b>P1-01</b>  | <b>P1-08</b>                           | <b>30.0A</b> ↕  | <b>P1-08</b>  | <b>Stop</b>   |
| 15kW 400V 3Ph                                | 50.0Hz  | 30.0A                                  | P1-08 ↑30.0 ↓3.0  | 30.0A   | 15kW 400V 3Ph   |
|  |   |  |   |   |   |
| Press and hold the Navigate key > 2 seconds. | Use the up and down keys to select the required parameter. Drives with OLED display will show the present parameter value on the lower line of the display. | Press the Navigate key for < 1 second. | Adjust the value using the Up and Down keys. Drives with OLED display will show the maximum and minimum possible settings on the lower line of the display. | Press for < 1 second to return to the parameter menu. | Press for > 2 seconds to return to the operating display. |

### 5.5. Parameter Factory Reset / User Reset

Optidrive P2 provides a feature to allow the user to define their own default parameter set. After commissioning all required parameters, the user can save these as the default parameters by setting P6-29 = 1. If required, the User Default Parameters may be cleared by setting P6-29 = 2.

If the user wishes to reload the User Default Parameters from the drive memory, the following procedure is used.

| Factory Parameter Reset, LED Display :                    |  |  | User Parameter Reset, LED Display :                |  |  |
|---|--|--|--|--|--|
| StoP  | P-DEF  | StoP   | StoP   | U-DEF  | StoP   |
| Factory Parameter Reset, TFT and OLED Display :           |  |  | User Parameter Reset, TFT and OLED Display :       |  |  |
| P2 01   | P2 01  | P2 01  | P2 01  | P2 01  | P2 01  |
| <b>Stop</b>   | <b>P-Def</b>   | <b>Stop</b>  | <b>Stop</b>  | <b>U-Def</b>   | <b>Stop</b>  |
| 15kW 400V 3Ph   | 50.0Hz   | 15kW 400V 3Ph  | P1-08 ↑30.0 ↓3.0                                   | 30.0A  | 15kW 400V 3Ph  |
|   |  |  |  |  |  |
| Press and hold the Up, Down, Start and Stop keys for >2s. | The display shows P-Def. Briefly press the Stop key. | The display returns to Stop. All parameters are reset to Factory defaults. | Press and hold the Up, Down and Stop keys for >2s. | The display shows U-Def. Briefly press the Stop key. | The display returns to Stop. All parameters are reset to Factory defaults. |

### 5.6. Resetting the Drive Following a Trip

Optidrive P2 has many protection features, designed to protect both the drive and motor from accidental damage. When any of these protection features are activated, the drive will trip, and display a fault message. The fault messages are listed in section 11.1. Fault Messages on page 74.

When a trip occurs, after the cause of the trip has been investigated and rectified, the user can reset the trip in one of the following ways:

- Press the keypad Stop key.
- Power off the drive completely, then power on again.
- If P1-13 > 0, switch off digital input 1, then back on again.
- If P1-12 = 4, reset via the fieldbus interface.
- If P1-12 = 6, reset via CAN.

## 5.7. Keypad Short Cuts

The following short cuts can be used to speed up selecting and changing parameters when using the keypad.

### 5.7.1. Selecting the Parameter Groups

When extended or advanced parameter access is enabled (see section 8. *Extended Parameters* on page 45), additional parameter groups are visible, and may be selected quickly by the following method.

|   |   |
|---|---|
|   |   |
| Whilst in the parameter selection menu, press the Navigate and Up or Navigate and Down keys simultaneously. | The next highest or lowest accessible parameter group will be selected. |

### 5.7.2. Selecting the Lowest Parameter in a Group

|  |   |
|--|---|
|  |   |
| Whilst in the parameter selection menu, press the Up and Down keys simultaneously. | The next highest or lowest accessible parameter group will be selected. |

### 5.7.3. Setting a Parameter to the Minimum Value

|  |   |
|--|---|
|  |   |
| Whilst editing a parameter value, press the Up and Down keys simultaneously. | The parameter will be set to the lowest possible value. |

### 5.7.4. Adjusting Individual Digits

When editing parameter values and making large changes, e.g. setting the motor rated speed from 0 to 1500RPM, it is possible to directly select the parameter digits using the following method.

|  |  |  |  |  |   |
|--|--|--|--|--|---|
|  |  |  |  |  |   |
| Whilst editing a parameter value, press the Stop and Navigate keys simultaneously. | The cursor will step one digit to the left. Repeating the key press will move another digit to the left. | The individual digit value may be adjusted using the up and down keys. | Adjust the value using the Up and Down keys. | When the cursor reaches the highest accessible digit, pressing Stop and Navigate will return the cursor to the right most digit. | Press the Navigate key to return to the parameter selection menu. |

## 6. Parameters

### 6.1. Parameter Set Overview

The Optidrive P2 Parameter set consists of 10 groups as follows:

- Group 0 – Read Only Monitoring Parameters
- Group 1 – Basic Configuration Parameters
- Group 2 – Extended Parameters
- Group 3 – PID Control Parameters
- Group 4 – High Performance Motor Control Parameters
- Group 5 – Field Bus Parameters
- Group 6 – Advanced Options
- Group 7 – Advanced Motor Control
- Group 8 – Application Parameters
- Group 9 – Advanced I/O Selection

When the Optidrive is reset to factory defaults, or is in its factory supplied state, only Group 1 Parameters can be accessed. In order to allow access to parameters from the higher level groups, the access code must be changed as follows.

P1-14 = P2-40 (Default setting = 101). With this setting, parameter groups 1 – 5 can be accessed, along with the first 50 parameters in Group 0.

P1-14 = P6-30 (Default setting = 201). With this setting, all parameters are accessible.

### 6.2. Parameter Group 1 – Basic Parameters

The basic parameter group allows the user to:

- Enter the motor nameplate information
  - P1-07 = Motor Rated Voltage
  - P1-08 = Motor Rated Current
  - P1-09 = Motor Rated Frequency
  - P1-10 = (Optionally) Motor Rated Speed
- Define the operating speed limits
  - P1-01 = Maximum Frequency or Speed
  - P1-02 = Minimum Frequency or Speed
- Define the acceleration and deceleration times used when starting and stopping the motor, or changing speed
  - P1-03 = Acceleration Time
  - P1-04 = Deceleration Time
- Select where the drive should receive its command signals from, and determine what functions are associated with the drive control terminal inputs
  - P1-12 Selects the control source
  - P1-13 Assigns the functions to the digital inputs

These parameters will often provide enough functions to allow the user to complete basic commissioning in simple applications. The parameters are described more fully below.

| Par.  | Description  | Minimum          | Maximum      | Default            | Units           |
|-------|--|------------------|--------------|--------------------|-----------------|
| P1-01 | <b>Maximum Frequency / Speed Limit</b>   | <b>P1-02</b>     | <b>500.0</b> | <b>50.0 (60.0)</b> | <b>Hz / Rpm</b> |
|       | Maximum output frequency or motor speed limit – Hz or rpm.<br>If P1-10 >0, the value entered / displayed is in Rpm.  |                  |              |                    |                 |
| P1-02 | <b>Minimum Frequency / Speed Limit</b>   | <b>0.0</b>       | <b>P1-01</b> | <b>20.0</b>        | <b>Hz / Rpm</b> |
|       | Minimum speed limit – Hz or rpm.<br>If P1-10 >0, the value entered / displayed is in Rpm.  |                  |              |                    |                 |
| P1-03 | <b>Acceleration Ramp Time</b>  | <b>See Below</b> |              | <b>5.0 / 10.0</b>  | <b>Seconds</b>  |
|       | Acceleration ramp time from 0 to base speed (P1-09) in seconds.<br>FS2 & FS3 : 5.0 Seconds Default Setting, 0.01 Seconds Resolution, 600.0 Seconds Maximum.<br>FS4 – FS7 : 10.0 Seconds Default Setting, 0.1 Seconds Resolution, 6000 Seconds Maximum. |                  |              |                    |                 |

| Par.                     | Description  | Minimum  | Maximum                       | Default           | Units          |
|--------------------------|--|--|-------------------------------|-------------------|----------------|
| P1-04                    | <b>Deceleration Ramp Time</b>  | <b>See Below</b>   |                               | <b>5.0 / 10.0</b> | <b>Seconds</b> |
|                          | Deceleration ramp time from base speed (P1-09) to standstill in seconds. When set to zero, fastest possible ramp time without trip is activated.<br>FS2 & FS3 : 5.0 Seconds Default Setting, 0.01 Seconds Resolution, 600.0 Seconds Maximum.<br>FS4 – FS7 : 10.0 Seconds Default Setting, 0.1 Seconds Resolution, 6000.0 Seconds Maximum.  |  |                               |                   |                |
| P1-05                    | <b>Stop Mode</b>   | <b>0</b>   | <b>3</b>                      | <b>0</b>          | <b>-</b>       |
|                          | <b>0 Ramp</b>  | When the enable signal is removed, the drive will ramp to stop, with the rate controlled by P1-04 as described above. In this mode, the drive brake transistor (where fitted) is disabled.   |                               |                   |                |
|                          | <b>1 Coast</b>   | When the enable signal is removed, the drive output is immediately disabled, and the motor will coast (freewheel) to stop. If the load can continue to rotate due to inertia, and the drive may possibly be re-enabled whilst the motor is still rotating, the spin start function (P2-26) should be enabled. In this mode, the drive brake transistor (where fitted) is disabled.   |                               |                   |                |
|                          | <b>2 Ramp, brake chopper enabled</b>   | When the enable signal is removed, the drive will ramp to stop, with the rate controlled by P1-04 as described above. The Optidrive Brake chopper is also enabled in this mode.  |                               |                   |                |
|                          | <b>3 Coast, brake chopper enabled</b>  | When the enable signal is removed, the drive output is immediately disabled, and the motor will coast (freewheel) to stop. If the load can continue to rotate due to inertia, and the drive may possibly be re-enabled whilst the motor is still rotating, the spin start function (P2-26) should be enabled. The drive brake chopper is enabled in this mode, however it will only activate when required during a change in the drive frequency setpoint, and will not activate when stopping. |                               |                   |                |
| <b>4 AC Flux Braking</b> | As Option 0, but additionally, AC Flux braking is used to increase the available braking torque.   |  |                               |                   |                |
| P1-06                    | <b>Energy Optimiser</b>  | <b>0</b>   | <b>1</b>                      | <b>0</b>          | <b>-</b>       |
|                          | <b>0 Disabled</b>  |  |                               |                   |                |
|                          | <b>1 Enabled</b>   | When enabled, the Energy Optimiser attempts to reduce the overall energy consumed by the drive and motor when operating at constant speeds and light loads. The output voltage applied to the motor is reduced. The Energy Optimiser is intended for applications where the drive may operate for some periods of time with constant speed and light motor load, whether constant or variable torque.  |                               |                   |                |
| P1-07                    | <b>Motor Rated Voltage / kE</b>  | <b>Drive Rating Dependent</b>  |                               |                   | <b>Volts</b>   |
|                          | This parameter should be set to the rated (nameplate) voltage of the motor.  |  |                               |                   |                |
| P1-08                    | <b>Motor Rated Current</b>   | <b>Drive Rating Dependent</b>  |                               |                   | <b>Amps</b>    |
|                          | This parameter should be set to the rated (nameplate) current of the motor.  |  |                               |                   |                |
| P1-09                    | <b>Motor Rated Frequency</b>   | <b>10</b>  | <b>500</b>                    | <b>50 (60)</b>    | <b>Hz</b>      |
|                          | This parameter should be set to the rated (nameplate) frequency of the motor.  |  |                               |                   |                |
| P1-10                    | <b>Motor Rated Speed</b>   | <b>0</b>   | <b>30000</b>                  | <b>0</b>          | <b>RPM</b>     |
|                          | This parameter can optionally be set to the rated (nameplate) rpm of the motor. When set to the default value of zero, all speed related parameters are displayed in Hz, and the slip compensation for the motor is disabled. Entering the value from the motor nameplate enables the slip compensation function, and the Optidrive display will now show motor speed in estimated rpm. All speed related parameters, such as Minimum and Maximum Speed, Preset Speeds etc. will also be displayed in Rpm.<br><b>NOTE</b> When the drive is operated with the optional Encoder Feedback Interface, this parameter must be set to the correct nameplate Rpm of the connected motor. |  |                               |                   |                |
| P1-11                    | <b>Boost Voltage</b>   | <b>0.0</b>   | <b>Drive Rating Dependent</b> | <b>%</b>          |                |
|                          | Voltage boost is used to increase the applied motor voltage at low output frequencies, in order to improve low speed and starting torque. Excessive voltage boost levels may result in increased motor current and temperature, and force ventilation of the motor may be required.<br>An automatic setting ( <b>Auto</b> ) is also possible, whereby the Optidrive will automatically adjust this parameter based on the motor parameters measured during an autotune.  |  |                               |                   |                |

| Par.                  | Description   | Minimum   | Maximum      | Default  | Units    |
|-----------------------|---|---|--------------|----------|----------|
| <b>P1-12</b>          | <b>Primary Command Source</b>   | <b>0</b>  | <b>6</b>     | <b>0</b> | <b>-</b> |
|                       | <b>0 Terminal Control</b>   | The drive responds directly to signals applied to the control terminals.  |              |          |          |
|                       | <b>1 Keypad control - uni-directional</b>   | The drive can be controlled in the forward direction only using an external or remote Keypad.   |              |          |          |
|                       | <b>2 Keypad control - bi-directional</b>  | The drive can be controlled in the forward and reverse directions using an external or remote Keypad. Pressing the keypad START button toggles between forward and reverse. |              |          |          |
|                       | <b>3 PID Control</b>  | The output frequency is controlled by the internal PID controller.  |              |          |          |
|                       | <b>4 Fieldbus Mode</b>  | Control via Modbus RTU if no fieldbus interface option is present, otherwise control is from the fieldbus option module interface.  |              |          |          |
|                       | <b>5 Slave Mode</b>   | The drive acts as a Slave to a connected Optidrive operating in Master Mode.  |              |          |          |
| <b>6 CANopen Mode</b> | Control via CAN bus connected to the RJ45 serial interface connector.   |   |              |          |          |
| <b>P1-13</b>          | <b>Digital Input Function</b>   | <b>0</b>  | <b>21</b>    | <b>1</b> | <b>-</b> |
|                       | Defines the function of the digital inputs depending on the control mode setting in P1-12. See section 7.1. <i>Control Source Selection</i> for more information.   |   |              |          |          |
| <b>P1-14</b>          | <b>Extended Menu Access</b>   | <b>0</b>  | <b>30000</b> | <b>0</b> | <b>-</b> |
|                       | Parameter Access Control. The following settings are applicable:<br>P1-14 = P2-40 = 101 : Allows access to Extended Parameter Groups 0 – 5<br>P1-14 = P6-30 = 201 = Allows access to all parameter groups (Intended for experienced users only, usage is not described in this User Guide). |   |              |          |          |

# 7. Control Terminal Functions

For standard applications and operation, the basic control of the drive and functions of all drive input terminals can be configured using just two parameters, P1-12 and P1-13. P1-12 is used to define the source of all control commands and the primary speed reference source. P1-13 then allows fast selection of Analog and Digital Input functions based on a selection table.

## 7.1. Control Source Selection

### 7.1.1. P1-12 Function

P1-12 is used to select the main control source of the drive and the main speed reference according to the following table:

| P1-12 | Function              | Control Source     | Main Speed Reference   | Notes  |
|-------|-----------------------|--------------------|------------------------|--|
| 0     | Terminal Control      | Terminals          | Analog Input 1         | All control signals are applied to the control terminals. Functions are determined by P1-13 Macro setting.   |
| 1     | Keypad Control        | Keypad / Terminals | Motorised Pot / Keypad | When keypad mode is selected, the default operation of the drive requires the keypad Start & Stop buttons are used to control the drive. This can be changed using P2-37 to allow the drive to be started from Digital Input 1 directly.   |
| 2     | Keypad Control        | Keypad / Terminals | Motorised Pot / Keypad | When keypad mode is selected, the default operation of the drive requires the keypad Start & Stop buttons are used to control the drive. This can be changed using P2-37 to allow the drive to be started from Digital Input 1 directly.   |
| 3     | PID Control           | Terminals          | PID Output             | Enable / Disable control of the drive is through the drive control terminal strip.<br>Output frequency is set by the output of the PI Controller.  |
| 4     | Fieldbus / Modbus RTU | Modbus RTU         | Fieldbus / Modbus RTU  | Control of the drive operation is through a fieldbus option module mounted in the drive option slot. If no option module is fitted, control is through the Modbus RTU interface.<br>Digital Input 1 must be closed to allow operation.   |
| 5     | Slave Mode            | Master Drive       | From Master            | Optidrive P2 provides an inbuilt Master / Slave function. A single drive acts as the Master, and connected Slave drives will mimic the starting and stopping, along with the following the output frequency, with any scaling applied.<br>Digital Input 1 must be closed to allow operation. |
| 6     | CAN Open              | CAN Open           | CAN                    | Control of the drive operation is through the CAN Open Interface.<br>Digital Input 1 must be closed to allow operation.  |

### 7.1.2. Overview

Optidrive P2 uses a Macro approach to simplify the configuration of the Analog and Digital Inputs. There are two key parameters which determine the input functions and drive behaviour:

- P1-12 – Selects the main drive control source and determines how the output frequency of the drive is primarily controlled.
- P1-13 – Assigns the Macro function to the analog and digital inputs.

Additional parameters can then be used to further adapt the settings, e.g.

- P2-30 – Used to select the format of the analog signal to be connected to analog input 1, e.g. 0 – 10 Volt, 4 – 20mA.
- P2-33 – Used to select the format of the analog signal to be connected to analog input 2, e.g. 0 – 10 Volt, 4 – 20mA.
- P2-36 – Determines whether the drive should automatically start following a power on if the Enable Input is present.
- P2-37 – When Keypad Mode is selected, determines at what output frequency / speed the drive should start following the enable command, and also whether the keypad start key must be pressed or if the Enable input alone should start the drive.

The diagrams opposite provide an overview of the functions of each terminal macro function, and a simplified connection diagram for each.

### 7.1.3. Macro Function Guide

| Function              | Explanation   |
|-----------------------|---|
| STOP                  | Latched Input, Open the contact to STOP the drive.  |
| RUN                   | Latched input, Close the contact to Start, the drive will operate as long as the input is maintained.   |
| FWD↻                  | Latched Input, selects the direction of motor rotation FORWARD.   |
| REV↻                  | Latched Input, selects the direction of motor rotation REVERSE.   |
| RUN FWD↻              | Latched Input, Close to Run in the FORWARD direction, Open to STOP.   |
| RUN REV↻              | Latched Input, Close to Run in the REVERSE direction, Open to STOP.   |
| ENABLE                | Hardware Enable Input.<br>In Keypad Mode, P2-37 determines whether the drive immediately starts, or the keypad start key must be pressed.<br>In other modes, this input must be present before the start command is applied via the fieldbus interface. |
| START↑                | Normally Open, Rising Edge, Close momentarily to START the drive (NC STOP Input must be maintained).  |
| ^- START -^           | Simultaneously applying both inputs momentarily will START the drive (NC STOP Input must be maintained).  |
| STOP↓                 | Normally Closed, Falling Edge, Open momentarily to STOP the drive.  |
| START↑FWD↻            | Normally Open, Rising Edge, Close momentarily to START the drive in the forward direction (NC STOP Input must be maintained).   |
| START↑REV↻            | Normally Open, Rising Edge, Close momentarily to START the drive in the reverse direction (NC STOP Input must be maintained).   |
| ^-FAST STOP (P2-25)-^ | When both inputs are momentarily active simultaneously, the drive stops using Fast Stop Ramp Time P2-25.  |
| FAST STOP↓ (P2-25)    | Normally Closed, Falling Edge, Open momentarily to FAST STOP the drive using Fast Stop Ramp Time P2-25.   |
| E-TRIP                | Normally Closed, External Trip input. When the input opens momentarily, the drive trips showing $E-Err$ or $Ptc-Err$ depending on P2-33 setting. See section 4.12.2. Motor Thermistor Connection on page 25 for further information.                    |
| Analog Input AI1      | Analog Input 1, signal format selected using P2-30.   |
| Analog Input AI2      | Analog Input 2, signal format selected using P2-33.   |
| AI1 REF               | Analog Input 1 provides the speed reference.  |
| AI2 REF               | Analog Input 2 provides the speed reference.  |
| P2-OX REF             | Speed reference from the selected preset speed.   |
| PR-REF                | Preset speeds P2-01 – P2-08 are used for the speed reference, selected according to other digital input status.   |
| PI-REF                | PI Control Speed Reference.   |
| PI FB                 | Analog Input used to provide a Feedback signal to the internal PI controller.   |
| KPD REF               | Keypad Speed Reference selected.  |
| INC SPD↑              | Normally Open, Close the input to Increase the motor speed.   |
| DEC SPD↓              | Normally Open, Close input to Decrease motor speed.   |
| FB REF                | Selected speed reference from Fieldbus (Modbus RTU / CAN Open / Master depending on P1-12 setting).   |
| (NO)                  | Input is Normally Open, Close momentarily to activate the function.   |
| (NC)                  | Input is Normally Closed, Open momentarily to activate the function.  |
| DECEL P1-04           | During deceleration and stopping, Deceleration Ramp 1 (P1-04) is used.  |
| DECEL P8-11           | During deceleration and stopping, Deceleration Ramp 2 (P8-11) is used (Requires Advanced Parameter Access, see section 6.1. Parameter Set Overview on page 35).   |

## 7.2. Digital Input Configuration Parameter P1-13

| P1-13 | D11          |           | D12       |           | D13        |            | AI1 / DI4           |                     | AI2 / DI5              |             |           |  |
|-------|--------------|-----------|-----------|-----------|------------|------------|---------------------|---------------------|------------------------|-------------|-----------|--|
|       | State        | 0         | 1         | 0         | 1          | 0          | 1                   | 0                   | 1                      | 0           | 1         |  |
| 0     | User defined |           |           |           |            |            |                     |                     |                        |             |           |  |
| 1     | STOP         | RUN       | FWD ↻     | REV ↻     | P1-12 REF  | P2-01      | Analog Input AI1    |                     | P2-01                  | P2-02       |           |  |
| 2     | STOP         | RUN       | FWD ↻     | REV ↻     | <b>DI3</b> | <b>DI4</b> | <b>DI5</b>          | <b>Preset Speed</b> |                        |             |           |  |
|       |              |           |           |           | 0          | 0          | 0                   | P2-01 REF           |                        |             |           |  |
|       |              |           |           |           | 1          | 0          | 0                   | P2-02 REF           |                        |             |           |  |
|       |              |           |           |           | 0          | 1          | 0                   | P2-03 REF           |                        |             |           |  |
|       |              |           |           |           | 1          | 1          | 0                   | P2-04 REF           |                        |             |           |  |
|       |              |           |           |           | 0          | 0          | 1                   | P2-05 REF           |                        |             |           |  |
|       |              |           |           |           | 1          | 0          | 1                   | P2-06 REF           |                        |             |           |  |
|       |              |           |           |           | 0          | 1          | 1                   | P2-07 REF           |                        |             |           |  |
| 1     | 1            | 1         | P2-08 REF |           |            |            |                     |                     |                        |             |           |  |
| 3     | STOP         | RUN       | FWD ↻     | REV ↻     | P1-12 REF  | P2-01 REF  | Analog Input AI1    |                     | Analog Input AI2       |             |           |  |
| 4     | STOP         | RUN       | FWD ↻     | REV ↻     | P1-12 REF  | P2-01 REF  | Analog Input AI1    |                     | DECEL P1-04            | DECEL P8-11 |           |  |
| 5     | STOP         | RUN       | FWD ↻     | REV ↻     | P1-12 REF  | AI2 REF    | Analog Input AI1    |                     | Analog Input AI2       |             |           |  |
| 6     | STOP         | RUN       | FWD ↻     | REV ↻     | P1-12 REF  | P2-01 REF  | Analog Input AI1    |                     | E-TRIP                 | OK          |           |  |
| 7     | STOP         | RUN       | FWD ↻     | REV ↻     | <b>DI3</b> | <b>DI4</b> | <b>Preset Speed</b> | E-TRIP              |                        | OK          |           |  |
|       |              |           |           |           | Off        | Off        | P2-01 REF           |                     |                        |             |           |  |
|       |              |           |           |           | On         | Off        | P2-02 REF           |                     |                        |             |           |  |
|       |              |           |           |           | Off        | On         | P2-03 REF           |                     |                        |             |           |  |
| 8     | STOP         | RUN       | FWD ↻     | REV ↻     | <b>DI3</b> | <b>DI4</b> | <b>Preset Speed</b> | DECEL P1-04         |                        | DECEL P8-11 |           |  |
|       |              |           |           |           | Off        | Off        | P2-01 REF           |                     |                        |             |           |  |
|       |              |           |           |           | On         | Off        | P2-02 REF           |                     |                        |             |           |  |
|       |              |           |           |           | Off        | On         | P2-03 REF           |                     |                        |             |           |  |
| 9     | STOP         | RUN       | FWD ↻     | REV ↻     | <b>DI3</b> | <b>DI4</b> | <b>Preset Speed</b> | P1-12 REF           |                        | PR-REF      |           |  |
|       |              |           |           |           | Off        | Off        | P2-01 REF           |                     |                        |             |           |  |
|       |              |           |           |           | On         | Off        | P2-02 REF           |                     |                        |             |           |  |
|       |              |           |           |           | Off        | On         | P2-03 REF           |                     |                        |             |           |  |
| 10    | STOP         | RUN       | FWD ↻     | REV ↻     | (NO)       | INC SPD ↑  | (NO)                | DEC SPD ↓           | P1-12 REF <sup>1</sup> |             | P2-01-REF |  |
|       |              |           |           |           |            |            |                     |                     |                        |             |           |  |
|       |              |           |           |           |            |            |                     |                     |                        |             |           |  |
|       |              |           |           |           |            |            |                     |                     |                        |             |           |  |
| 11    | STOP         | RUN FWD ↻ | STOP      | RUN REV ↻ | P1-12 REF  | PR-REF     | Analog Input AI1    |                     | P2-01 REF              | P2-02 REF   |           |  |
|       |              |           |           |           | <b>DI3</b> | <b>DI4</b> | <b>DI5</b>          | <b>Preset Speed</b> |                        |             |           |  |
|       |              |           |           |           | Off        | Off        | Off                 | P2-01 REF           |                        |             |           |  |
|       |              |           |           |           | On         | Off        | Off                 | P2-02 REF           |                        |             |           |  |
|       |              |           |           |           | Off        | On         | Off                 | P2-03 REF           |                        |             |           |  |
|       |              |           |           |           | On         | On         | Off                 | P2-04 REF           |                        |             |           |  |
|       |              |           |           |           | Off        | Off        | On                  | P2-05 REF           |                        |             |           |  |
|       |              |           |           |           | On         | Off        | On                  | P2-06 REF           |                        |             |           |  |
| Off   | On           | On        | P2-07 REF |           |            |            |                     |                     |                        |             |           |  |
| On    | On           | On        | P2-08 REF |           |            |            |                     |                     |                        |             |           |  |
| 12    | STOP         | RUN FWD ↻ | STOP      | RUN REV ↻ | P1-12 REF  | P2-01 REF  | Analog Input AI1    |                     | Analog Input AI2       |             |           |  |
| 13    | STOP         | RUN FWD ↻ | STOP      | RUN REV ↻ | P1-12 REF  | P2-01 REF  | Analog Input AI1    |                     | DECEL P1-04            | DECEL P8-11 |           |  |
| 14    | STOP         | RUN FWD ↻ | STOP      | RUN REV ↻ | P1-12 REF  | AI2-REF    | Analog Input AI1    |                     | Analog Input AI2       |             |           |  |
| 15    | STOP         | RUN FWD ↻ | STOP      | RUN REV ↻ | P1-12 REF  | P2-01 REF  | Analog Input AI1    |                     | E-TRIP                 | OK          |           |  |
| 16    | STOP         | RUN FWD ↻ | STOP      | RUN REV ↻ | P1-12 REF  | P2-01 REF  | Analog Input AI1    |                     | E-TRIP                 | OK          |           |  |



| P1-13 | DI1  |                  | DI2    |           | DI3        |                  | AI1 / DI4        |                     | AI2 / DI5              |             |
|-------|------|------------------|--------|-----------|------------|------------------|------------------|---------------------|------------------------|-------------|
| State | 0    | 1                | 0      | 1         | 0          | 1                | 0                | 1                   | 0                      | 1           |
| 17    | STOP | RUN FWD ↻        | STOP   | RUN REV ↻ | <b>DI3</b> |                  | <b>DI4</b>       | <b>Preset Speed</b> | E-TRIP                 | OK          |
|       |      |                  |        |           | Off        | Off              | P2-01 REF        |                     |                        |             |
|       |      |                  |        |           | On         | Off              | P2-02 REF        |                     |                        |             |
|       |      |                  |        |           | Off        | On               | P2-03 REF        |                     |                        |             |
| 18    | STOP | RUN FWD ↻        | STOP   | RUN REV ↻ | <b>DI3</b> |                  | <b>DI4</b>       | <b>Preset Speed</b> | DECEL P1-04            | DECEL P8-11 |
|       |      |                  |        |           | Off        | Off              | P2-01 REF        |                     |                        |             |
|       |      |                  |        |           | On         | Off              | P2-02 REF        |                     |                        |             |
|       |      |                  |        |           | Off        | On               | P2-03 REF        |                     |                        |             |
| 19    | STOP | RUN FWD ↻        | STOP   | RUN REV ↻ | <b>DI3</b> |                  | <b>DI4</b>       | <b>Preset Speed</b> | P1-12 REF              | PR-REF      |
|       |      |                  |        |           | Off        | Off              | P2-01 REF        |                     |                        |             |
|       |      |                  |        |           | On         | Off              | P2-02 REF        |                     |                        |             |
|       |      |                  |        |           | Off        | On               | P2-03 REF        |                     |                        |             |
| 20    | STOP | RUN FWD ↻        | STOP   | RUN REV ↻ | (NO)       | INC SPD ↑        | (NO)             | DEC SPD ↓           | P1-12 REF <sup>1</sup> | P2-01-REF   |
|       |      |                  |        |           | (NO)       | START ↕<br>REV ↻ | Analog Input AI1 |                     |                        |             |
| 21    | (NO) | START ↕<br>FWD ↻ | STOP ↴ | (NC)      | (NO)       | START ↕<br>REV ↻ | Analog Input AI1 |                     | P1-12 REF              | P2-01-REF   |

1) When P1-12 = 0 and P1-13 = 10 or 20, the Motorised Pot / Keypad reference is automatically selected to be the Selected Speed Reference.

### 7.3. Example Connection Schematics

| P1-13 Setting: |             | 1                                   | 4                                | 11                                  | 14                               |
|----------------|-------------|-------------------------------------|----------------------------------|-------------------------------------|----------------------------------|
| 1              | +24V DC     | +24V DC                             | +24V DC                          | +24V DC                             | +24V DC                          |
| 2              | DI 1        | Disable / Enable                    | Disable / Enable                 | Run Forward                         | Run Forward                      |
| 3              | DI 2        | Forward / Reverse                   | Forward / Reverse                | Run Reverse                         | Run Reverse                      |
| 4              | DI 3        | P1-12 Reference / PR Reference      | P1-12 Reference / PR Reference   | P1-12 Reference / PR Reference      | P1-12 Reference / PR Reference   |
| 5              | +10V DC     | +10V DC                             | +10V DC                          | +10V DC                             | +10V DC                          |
| 6              | AI 1 / DI 4 | Analog Input 1                      | Analog Input 1                   | Analog Input 1                      | Analog Input 1                   |
| 7              | 0V / COM    | 0V / COM                            | 0V / COM                         | 0V / COM                            | 0V / COM                         |
| 8              | AO 1        | Analog Output 1 (Motor Speed)       | Analog Output 1 (Motor Speed)    | Analog Output 1 (Motor Speed)       | Analog Output 1 (Motor Speed)    |
| 9              | 0V / COM    | 0V / COM                            | 0V / COM                         | 0V / COM                            | 0V / COM                         |
| 10             | AI 2 / DI 5 | Preset Speed Select (P2-01 / P2-02) | Dec. Ramp Select (P1-04 / P8-11) | Preset Speed Select (P2-01 / P2-02) | Dec. Ramp Select (P1-04 / P8-11) |
| 11             | AO 2        | Analog Output 2 (Motor Current)     | Analog Output 2 (Motor Current)  | Analog Output 2 (Motor Current)     | Analog Output 2 (Motor Current)  |
| 12             | STO+        | STO+                                | STO+                             | STO+                                | STO+                             |
| 13             | STO-        | STO-                                | STO-                             | STO-                                | STO-                             |

| P1-13 Setting: |             | 2                               | 8                                | 9                               | 12                               | 18                               |
|----------------|-------------|---------------------------------|----------------------------------|---------------------------------|----------------------------------|----------------------------------|
| 1              | +24V DC     | +24V DC                         | +24V DC                          | +24V DC                         | +24V DC                          | +24V DC                          |
| 2              | DI 1        | Disable / Enable                | Disable / Enable                 | Disable / Enable                | Run Forward                      | Run Forward                      |
| 3              | DI 2        | Forward / Reverse               | Forward / Reverse                | Forward / Reverse               | Run Reverse                      | Run Reverse                      |
| 4              | DI 3        | Preset Speed Select BIT 0       | Preset Speed Select BIT 0        | Preset Speed Select BIT 0       | Preset Speed Select BIT 0        | Preset Speed Select BIT 0        |
| 5              | +10V DC     | +10V DC                         | +10V DC                          | +10V DC                         | +10V DC                          | +10V DC                          |
| 6              | AI 1 / DI 4 | Preset Speed Select BIT 1       | Preset Speed Select BIT 1        | Preset Speed Select BIT 1       | Preset Speed Select BIT 1        | Preset Speed Select BIT 1        |
| 7              | 0V / COM    | 0V / COM                        | 0V / COM                         | 0V / COM                        | 0V / COM                         | 0V / COM                         |
| 8              | AO 1        | Analog Output 1 (Motor Speed)   | Analog Output 1 (Motor Speed)    | Analog Output 1 (Motor Speed)   | Analog Output 1 (Motor Speed)    | Analog Output 1 (Motor Speed)    |
| 9              | 0V / COM    | 0V / COM                        | 0V / COM                         | 0V / COM                        | 0V / COM                         | 0V / COM                         |
| 10             | AI 2 / DI 5 | Preset Speed Select BIT 2       | Dec. Ramp Select (P1-04 / P8-11) | P1-12 Reference / Preset Ref    | Dec. Ramp Select (P1-04 / P8-11) | Dec. Ramp Select (P1-04 / P8-11) |
| 11             | AO 2        | Analog Output 2 (Motor Current) | Analog Output 2 (Motor Current)  | Analog Output 2 (Motor Current) | Analog Output 2 (Motor Current)  | Analog Output 2 (Motor Current)  |
| 12             | STO+        | STO+                            | STO+                             | STO+                            | STO+                             | STO+                             |
| 13             | STO-        | STO-                            | STO-                             | STO-                            | STO-                             | STO-                             |

**NOTE** \* Optional external 24V DC power supply

| P1-13 Setting: |             | 3                                 | 5                                | 13                                | 15                               |
|----------------|-------------|-----------------------------------|----------------------------------|-----------------------------------|----------------------------------|
| <b>1</b>       | +24V DC     | +24V DC                           | +24V DC                          | +24V DC                           | +24V DC                          |
| <b>2</b>       | DI 1        | Disable / Enable                  | Disable / Enable                 | Run Forward                       | Run Forward                      |
| <b>3</b>       | DI 2        | Forward / Reverse                 | Forward / Reverse                | Run Reverse                       | Run Reverse                      |
| <b>4</b>       | DI 3        | P1-12 Reference / P2-01 Reference | P1-12 Reference / AI 2 Reference | P1-12 Reference / P2-01 Reference | P1-12 Reference / AI 2 Reference |
| <b>5</b>       | +10V DC     | +10V DC                           | +10V DC                          | +10V DC                           | +10V DC                          |
| <b>6</b>       | AI 1 / DI 4 | Analog Input 1                    | Analog Input 1                   | Analog Input 1                    | Analog Input 1                   |
| <b>7</b>       | 0V / COM    | 0V / COM                          | 0V / COM                         | 0V / COM                          | 0V / COM                         |
| <b>8</b>       | AO 1        | Analog Output 1 (Motor Speed)     | Analog Output 1 (Motor Speed)    | Analog Output 1 (Motor Speed)     | Analog Output 1 (Motor Speed)    |
| <b>9</b>       | 0V / COM    | 0V / COM                          | 0V / COM                         | 0V / COM                          | 0V / COM                         |
| <b>10</b>      | AI 2 / DI 5 | Analog Input 2                    | Analog Input 2                   | Analog Input 2                    | Analog Input 2                   |
| <b>11</b>      | AO 2        | Analog Output 2 (Motor Current)   | Analog Output 2 (Motor Current)  | Analog Output 2 (Motor Current)   | Analog Output 2 (Motor Current)  |
| <b>12</b>      | STO+        | STO+                              | STO+                             | STO+                              | STO+                             |
| <b>13</b>      | STO-        | STO-                              | STO-                             | STO-                              | STO-                             |

| P1-13 Setting: |             | 6                                 | 16                                |
|----------------|-------------|-----------------------------------|-----------------------------------|
| <b>1</b>       | +24V DC     | +24V DC                           | +24V DC                           |
| <b>2</b>       | DI 1        | Disable / Enable                  | Run Forward                       |
| <b>3</b>       | DI 2        | Forward / Reverse                 | Run Reverse                       |
| <b>4</b>       | DI 3        | P1-12 Reference / P2-01 Reference | P1-12 Reference / P2-01 Reference |
| <b>5</b>       | +10V DC     | +10V DC                           | +10V DC                           |
| <b>6</b>       | AI 1 / DI 4 | Analog Input 1                    | Analog Input 1                    |
| <b>7</b>       | 0V / COM    | 0V / COM                          | 0V / COM                          |
| <b>8</b>       | AO 1        | Analog Output 1 (Motor Speed)     | Analog Output 1 (Motor Speed)     |
| <b>9</b>       | 0V / COM    | 0V / COM                          | 0V / COM                          |
| <b>10</b>      | AI 2 / DI 5 | E-trip                            | E-trip                            |
| <b>11</b>      | AO 2        | Analog Output 2 (Motor Current)   | Analog Output 2 (Motor Current)   |
| <b>12</b>      | STO+        | STO+                              | STO+                              |
| <b>13</b>      | STO-        | STO-                              | STO-                              |

**NOTE** \* Optional external 24V DC power supply

| P1-13 Setting: |             | 10                                | 20                                |
|----------------|-------------|-----------------------------------|-----------------------------------|
| 1              | +24V DC     | +24V DC                           | +24V DC                           |
| 2              | DI 1        | Disable / Enable                  | Run Forward                       |
| 3              | DI 2        | Forward / Reverse                 | Run Reverse                       |
| 4              | DI 3        | Increase Speed                    | Increase Speed                    |
| 5              | +10V DC     | +10V DC                           | +10V DC                           |
| 6              | AI 1 / DI 4 | Decrease Speed                    | Decrease Speed                    |
| 7              | 0V / COM    | 0V / COM                          | 0V / COM                          |
| 8              | AO 1        | Analog Output 1 (Motor Speed)     | Analog Output 1 (Motor Speed)     |
| 9              | 0V / COM    | 0V / COM                          | 0V / COM                          |
| 10             | AI 2 / DI 5 | P1-12 Reference / P2-01 Reference | P1-12 Reference / P2-01 Reference |
| 11             | AO 2        | Analog Output 2 (Motor Current)   | Analog Output 2 (Motor Current)   |
| 12             | STO+        | STO+                              | STO+                              |
| 13             | STO-        | STO-                              | STO-                              |

| P1-13 Setting: |             | 21                                |
|----------------|-------------|-----------------------------------|
| 1              | +24V DC     | +24V DC                           |
| 2              | DI 1        | NO Push Start Forward             |
| 3              | DI 2        | NC Push Stop                      |
| 4              | DI 3        | NO Push Start Reverse             |
| 5              | +10V DC     | +10V DC                           |
| 6              | AI 1 / DI 4 | Analog Input 1                    |
| 7              | 0V / COM    | 0V / COM                          |
| 8              | AO 1        | Analog Output 1 (Motor Speed)     |
| 9              | 0V / COM    | 0V / COM                          |
| 10             | AI 2 / DI 5 | P1-12 Reference / P2-01 Reference |
| 11             | AO 2        | Analog Output 2 (Motor Current)   |
| 12             | STO+        | STO+                              |
| 13             | STO-        | STO-                              |

**NOTE** \* Optional external 24V DC power supply

# 8. Extended Parameters

## 8.1. Parameter Group 2 - Extended Parameters


| Par  | Parameter Name   | Minimum  | Maximum   | Default     | Units         |          |
|--|--|--|---|-------------|---------------|----------|
| P2-01  | Preset Jog Frequency / Speed 1   | P1-02  | P1-01   | 5.0         | Hz / Rpm      |          |
| P2-02  | Preset Jog Frequency / Speed 2   | P1-02  | P1-01   | 10.0        | Hz / Rpm      |          |
| P2-03  | Preset Jog Frequency / Speed 3   | P1-02  | P1-01   | 25.0        | Hz / Rpm      |          |
| P2-04  | Preset Jog Frequency / Speed 4   | P1-02  | P1-01   | 50.0 (60.0) | Hz / Rpm      |          |
| P2-05  | Preset Jog Frequency / Speed 5   | P1-02  | P1-01   | 0.0         | Hz / Rpm      |          |
| P2-06  | Preset Jog Frequency / Speed 6   | P1-02  | P1-01   | 0.0         | Hz / Rpm      |          |
| P2-07  | Preset Jog Frequency / Speed 7   | P1-02  | P1-01   | 0.0         | Hz / Rpm      |          |
| P2-08  | Preset Jog Frequency / Speed 8   | P1-02  | P1-01   | 0.0         | Hz / Rpm      |          |
| Preset Speeds / Frequencies selected by digital inputs depending on the setting of P1-13.<br>If P1-10 = 0, the values are entered as Hz. If P1-10 > 0, the values are entered as Rpm.<br>Setting a negative value will reverse the direction of motor rotation.  |  |  |   |             |               |          |
| P2-09  | Skip Frequency Center Point  | P1-02  | P1-01   | 0.0         | Hz / Rpm      |          |
| P2-10  | Skip Frequency Band Width  | 0.0  | P1-01   | 0.0         | Hz / Rpm      |          |
| The Skip Frequency function is used to avoid the Optidrive operating at a certain output frequency, for example at a frequency which causes mechanical resonance in a particular machine. Parameter P2-09 defines the centre point of the skip frequency band, and is used conjunction with P2-10. The Optidrive output frequency will ramp through the defined band at the rates set in P1-03 and P1-04 respectively, and will not hold any output frequency within the defined band. If the frequency reference applied to the drive is within the band, the Optidrive output frequency will remain at the upper or lower limit of the band. |  |  |   |             |               |          |
| P2-11  | <b>Analog Output 1 Function (Terminal 8)</b>   |  | <b>0</b>  | <b>11</b>   | <b>8</b>      | <b>-</b> |
|  | <b>Digital Output Mode. Logic 1 = +24V DC</b>  |  |   |             |               |          |
|  | <b>0</b>   | <b>Drive running</b>                               | Logic 1 when the Optidrive is enabled (Running).                                  |             |               |          |
|  | <b>1</b>   | <b>Drive healthy</b>                               | Logic 1 When no Fault condition exists on the drive.                              |             |               |          |
|  | <b>2</b>   | <b>At speed</b>                                    | Logic 1 when the output frequency matches the setpoint frequency.                 |             |               |          |
|  | <b>3</b>   | <b>Motor speed &gt; 0</b>                          | Logic 1 when the motor runs above zero speed.                                     |             |               |          |
|  | <b>4</b>   | <b>Motor speed &gt;= limit</b>                     | Logic 1 when the motor speed exceeds the adjustable limit.                        |             |               |          |
|  | <b>5</b>   | <b>Motor current &gt;=limit</b>                    | Logic 1 when the motor current exceeds the adjustable limit.                      |             |               |          |
|  | <b>6</b>   | <b>Motor torque &gt;= Limit</b>                    | Logic when the motor torque exceeds the adjustable limit.                         |             |               |          |
|  | <b>7</b>   | <b>Analog input 2 &gt;=limit</b>                   | Logic when the signal applied to the Analog Input 2 exceeds the adjustable limit. |             |               |          |
|  | <b>NOTE</b> When using settings 4 – 7, parameters P2-16 and P2-17 must be used together to control the behaviour. The output will switch to Logic 1 when the selected signal exceeds the value programmed in P2-16, and return to Logic 0 when the signal falls below the value programmed in P2-17. |  |   |             |               |          |
|  | <b>Analog Output Mode</b>  |  |   |             |               |          |
|  | <b>8</b>   | <b>Motor speed</b>                                 | 0 to P1-01.   |             |               |          |
|  | <b>9</b>   | <b>Motor current</b>                               | 0 to 200% of P1-08.   |             |               |          |
|  | <b>10</b>  | <b>Motor torque</b>                                | 0 to 200% of motor rated torque.  |             |               |          |
| <b>11</b>  | <b>Motor power</b>   | 0 to 150% of drive rated power.                    |   |             |               |          |
| <b>12</b>  | <b>PID Output</b>  | Output from the internal PID Controller, 0 – 100%. |   |             |               |          |
| P2-12  | <b>Analog Output 1 Format</b>  |  | See Below   |             | <i>U 0-10</i> | -        |
|  | <i>U 0-10</i>  | 0 to 10V   |   |             |               |          |
|  | <i>U 10-0</i>  | 10 to 0V   |   |             |               |          |
|  | <i>A 0-20</i>  | 0 to 20mA  |   |             |               |          |
|  | <i>A 20-0</i>  | 20 to 0mA  |   |             |               |          |
|  | <i>A 4-20</i>  | 4 to 20mA  |   |             |               |          |
|  | <i>A 20-4</i>  | 20 to 4mA  |   |             |               |          |

| Par  | Parameter Name  | Minimum  | Maximum  | Default       | Units    |  |
|--|---|--|--|---------------|----------|--|
| P2-13  | <b>Analog Output 2 Function (Terminal 11)</b>   | <b>0</b>   | <b>12</b>  | <b>9</b>      | <b>-</b> |  |
|  | <b>Digital Output Mode. Logic 1 = +24V DC</b>   |  |  |               |          |  |
|  | <b>0</b>  | <b>Drive running</b>   | Logic 1 when the Optidrive is enabled (Running).   |               |          |  |
|  | <b>1</b>  | <b>Drive healthy</b>   | Logic 1 When no Fault condition exists on the drive.   |               |          |  |
|  | <b>2</b>  | <b>At speed</b>  | Logic 1 when the output frequency matches the setpoint frequency.  |               |          |  |
|  | <b>3</b>  | <b>Motor speed &gt; 0</b>  | Logic 1 when the motor runs above zero speed.  |               |          |  |
|  | <b>4</b>  | <b>Motor speed &gt;= limit</b>   | Logic 1 when the motor speed exceeds the adjustable limit.   |               |          |  |
|  | <b>5</b>  | <b>Motor current &gt;= limit</b>   | Logic 1 when the motor current exceeds the adjustable limit.   |               |          |  |
|  | <b>6</b>  | <b>Motor torque &gt;= limit</b>  | Logic when the motor torque exceeds the adjustable limit.  |               |          |  |
|  | <b>7</b>  | <b>Analog input 2 &gt;= limit</b>  | Logic when the signal applied to the Analog Input 2 exceeds the adjustable limit.  |               |          |  |
|  | <p><b>NOTE</b> When using settings 4 – 7, parameters P2-19 and P2-20 must be used together to control the behaviour. The output will switch to Logic 1 when the selected signal exceeds the value programmed in P2-19, and return to Logic 0 when the signal falls below the value programmed in P2-20.</p> |  |  |               |          |  |
|  | <b>Analog Output Mode</b>   |  |  |               |          |  |
|  | <b>8</b>  | <b>Motor speed</b>   | 0 to P1-01.  |               |          |  |
| <b>9</b>   | <b>Motor current</b>  | 0 to 200% of P1-08.  |  |               |          |  |
| <b>10</b>  | <b>Motor torque</b>   | 0 to 200% of motor rated torque.   |  |               |          |  |
| <b>11</b>  | <b>Motor power</b>  | 0 to 150% of drive rated power.  |  |               |          |  |
| <b>12</b>  | <b>PID output</b>   | Output from the internal PID Controller, 0 – 100%.   |  |               |          |  |
| P2-14  | <b>Analog Output 2 Format</b>   | See Below  |  | <i>U 0-10</i> | -        |  |
|  | <i>U 0-10</i>   | 0 to 10V   |  |               |          |  |
|  | <i>U 10-0</i>   | 10 to 0V   |  |               |          |  |
|  | <i>R 0-20</i>   | 0 to 20mA  |  |               |          |  |
|  | <i>R 20-0</i>   | 20 to 0mA  |  |               |          |  |
|  | <i>R 4-20</i>   | 4 to 20mA  |  |               |          |  |
|  | <i>R 20-4</i>   | 20 to 4mA  |  |               |          |  |
| P2-15  | <b>Relay 1 Function</b>   | <b>0</b>   | <b>14</b>  | <b>1</b>      | <b>-</b> |  |
|  | <b>Setting</b>  | <b>Function</b>  | <b>Logic 1 when</b>  |               |          |  |
|  | <b>0</b>  | <b>Drive running</b>   | The Optidrive is enabled (Running).  |               |          |  |
|  | <b>1</b>  | <b>Drive healthy</b>   | No fault or trip condition exists on the drive.  |               |          |  |
|  | <b>2</b>  | <b>At speed</b>  | Output frequency matches the setpoint frequency.   |               |          |  |
|  | <b>3</b>  | <b>Motor speed &gt; 0</b>  | The motor runs above zero speed.   |               |          |  |
|  | <b>4</b>  | <b>Motor speed &gt;= limit</b>   | The motor speed exceeds the adjustable limit.  |               |          |  |
|  | <b>5</b>  | <b>Motor current &gt;= limit</b>   | The motor current exceeds the adjustable limit.  |               |          |  |
|  | <b>6</b>  | <b>Motor torque &gt;= limit</b>  | The motor torque exceeds the adjustable limit.   |               |          |  |
|  | <b>7</b>  | <b>Analog input 2 &gt;= limit</b>  | The signal applied to the Analog Input 2 exceeds the adjustable limit.   |               |          |  |
|  | <b>8</b>  | <b>Reserved</b>  | No Function.   |               |          |  |
|  | <b>9</b>  | <b>Reserved</b>  | No Function.   |               |          |  |
|  | <b>10</b>   | <b>Maintenance due</b>   | The internally programmable maintenance timer has elapsed.   |               |          |  |
|  | <b>11</b>   | <b>Drive ready to run</b>  | 0 to 150% of drive rated power.  |               |          |  |
|  | <b>12</b>   | <b>Drive tripped</b>   | The drive is not tripped, the STO circuit is closed, the mains supply is present and the hardware enable input present (Digital Input 1 unless changed by the user). |               |          |  |
| <b>13</b>  | <b>STO status</b>   | When both STO inputs are present and the drive is able to be operated.                                     |  |               |          |  |
| <b>14</b>  | <b>PID error &gt;= limit</b>  | The PID Error (difference between setpoint and feedback) is greater than or equal to the programmed limit. |  |               |          |  |
| <p><b>NOTE</b> When using settings 4 – 7 and 14, parameters P2-16 and P2-17 must be used together to control the behaviour. The output will switch to Logic 1 when the selected signal exceeds the value programmed in P2-16, and return to Logic 0 when the signal falls below the value programmed in P2-17.</p> |   |  |  |               |          |  |
| P2-16  | <b>Relay 1 / Analog Output 1 Upper Limit</b>  | <b>P2-17</b>   | <b>200.0</b>   | <b>100.0</b>  | <b>%</b> |  |

| Par   | Parameter Name   | Minimum  | Maximum  | Default      | Units          |
|---|--|--|--|--------------|----------------|
| P2-17   | <b>Relay 1 / Analog Output 1 Lower Limit</b>   | <b>0.0</b>   | <b>P2-16</b>   | <b>0.0</b>   | <b>%</b>       |
|   | Used in conjunction with some settings of Parameters P2-11 & P2-15.  |  |  |              |                |
| P2-18   | <b>Relay 2 Function</b>  | <b>0</b>   | <b>14</b>  | <b>0</b>     | <b>-</b>       |
|   | <b>Setting</b>   | <b>Function</b>  | <b>Logic 1 when</b>  |              |                |
|   | <b>0</b>   | <b>Drive running</b>   | The Optidrive is enabled (Running).  |              |                |
|   | <b>1</b>   | <b>Drive healthy</b>   | No fault or trip condition exists on the drive.  |              |                |
|   | <b>2</b>   | <b>At speed</b>  | Output frequency matches the setpoint frequency.   |              |                |
|   | <b>3</b>   | <b>Motor speed &gt; 0</b>  | The motor runs above zero speed.   |              |                |
|   | <b>4</b>   | <b>Motor speed &gt;= limit</b>   | The motor speed exceeds the adjustable limit.  |              |                |
|   | <b>5</b>   | <b>Motor current &gt;= limit</b>   | The motor current exceeds the adjustable limit.  |              |                |
|   | <b>6</b>   | <b>Motor torque &gt;= limit</b>  | The motor torque exceeds the adjustable limit.   |              |                |
|   | <b>7</b>   | <b>Analog input 2 &gt;= limit</b>  | The signal applied to the Analog Input 2 exceeds the adjustable limit.   |              |                |
|   | <b>8</b>   | <b>Hoist brake control</b>   | Enables Hoist Mode. The Output relay may be used to control the motor holding brake. Refer to your Invertek Drives Sales Partner for further information.            |              |                |
|   | <b>9</b>   | <b>Reserved</b>  | No Function.   |              |                |
|   | <b>10</b>  | <b>Maintenance due</b>   | The internally programmable maintenance timer has elapsed.   |              |                |
|   | <b>11</b>  | <b>Drive ready to run</b>  | 0 to 150% of drive rated power.  |              |                |
|   | <b>12</b>  | <b>Drive tripped</b>   | The drive is not tripped, the STO circuit is closed, the mains supply is present and the hardware enable input present (Digital Input 1 unless changed by the user). |              |                |
| <b>13</b>   | <b>STO status</b>  | When both STO inputs are present and the drive is able to be operated.                                     |  |              |                |
| <b>14</b>   | <b>PID error &gt;= limit</b>   | The PID Error (difference between setpoint and feedback) is greater than or equal to the programmed limit. |  |              |                |
| <b>NOTE</b> When using settings 4 – 7 and 14, parameters P2-16 and P2-17 must be used together to control the behaviour. The output will switch to Logic 1 when the selected signal exceeds the value programmed in P2-16, and return to Logic 0 when the signal falls below the value programmed in P2-17. |  |  |  |              |                |
| P2-19   | <b>Relay 2 / Analog Output 2 Upper Limit</b>   | <b>P2-20</b>   | <b>200.0</b>   | <b>100.0</b> | <b>%</b>       |
| P2-20   | <b>Relay 2 / Analog Output 2 Lower Limit</b>   | <b>0.0</b>   | <b>P2-19</b>   | <b>0.0</b>   | <b>%</b>       |
|   | Used in conjunction with some settings of Parameters P2-13 & P2-18.  |  |  |              |                |
| P2-21   | <b>Display Scaling Factor</b>  | <b>-30.000</b>   | <b>30.000</b>  | <b>0.000</b> | <b>-</b>       |
| P2-22   | <b>Display Scaling Source</b>  | <b>0</b>   | <b>2</b>   | <b>0</b>     | <b>-</b>       |
|   | P2-21 & P2-22 allow the user to program the Optidrive to display an alternative output unit scaled from an existing parameter, e.g. to display conveyer speed in metres per second based on the output frequency. This function is disabled if P2-21 is set to 0.<br>If P2-21 is set >0, the variable selected in P2-22 is multiplied by the factor entered in P2-21, and displayed whilst the drive is running, with a 'c' to indicate the customer scaled units. |  |  |              |                |
|   | <b>P2-22 Options</b>   |  | <b>Scaled Value is</b>   |              |                |
|   | <b>0</b>   | <b>Motor Speed</b>   | If P1-10 = 0, Output Frequency (Hz) x Scaling Factor<br>If P1-10 > 0, Motor RPM x Scaling Factor   |              |                |
|   | <b>1</b>   | <b>Motor Current</b>   | Motor Amps x Scaling Factor  |              |                |
| <b>2</b>  | <b>Analog Input 2</b>  | Analog Input 2 % (P0-02) x Scaling Factor  |  |              |                |
| <b>3</b>  | <b>P0-80 Value</b>   | P0-80 Value x Scaling Factor   |  |              |                |
| P2-23   | <b>Zero Speed Holding Time</b>   | <b>0.0</b>   | <b>60.0</b>  | <b>0.2</b>   | <b>Seconds</b> |
|   | Determines the time for which the drive output frequency is held at zero when stopping, before the drive output is disabled.   |  |  |              |                |
| P2-24   | <b>Effective Switching Frequency</b>   | <b>Drive Rating Dependent</b>  |  |              | <b>kHz</b>     |
|   | Effective power stage switching frequency. The range of settings available and factory default parameter setting depend on the drive power and voltage rating. Higher frequencies reduce the audible 'ringing' noise from the motor, and improve the output current waveform, at the expense of increased drive losses. Refer to section 0 for further information regarding operation at higher switching frequency.  |  |  |              |                |
| P2-25   | <b>Fast Decel Ramp Time</b>  | <b>0.00</b>  | <b>240.0</b>   | <b>0.00</b>  | <b>Seconds</b> |
|   | This parameter allows an alternative deceleration ramp down time to be programmed into the Optidrive, which can be selected by digital inputs (dependent on the setting of P1-13) or selected automatically in the case of a mains power loss if P2-38 = 2.<br>When set to 0.0, the drive will coast to stop.  |  |  |              |                |

| Par  | Parameter Name  | Minimum   | Maximum       | Default       | Units          |
|--|---|---|---------------|---------------|----------------|
| P2-26  | <b>Spin Start Enable</b>  | <b>0</b>  | <b>1</b>      | <b>0</b>      | <b>-</b>       |
|  | <b>0 Disabled</b>   | Spin Start is not active. This setting should be used for all applications where the motor is always stationary before the drive is enabled.  |               |               |                |
|  | <b>1 Enabled</b>  | When enabled, on start up the drive will attempt to determine if the motor is already rotating, and will begin to control the motor from its current speed. A short delay may be observed when starting motors which are not turning. |               |               |                |
|  | <b>2 Enabled on trip, brown out, coast</b>  | Spin start is active only following the listed conditions, otherwise spin start is disabled.  |               |               |                |
| P2-27  | <b>Standby Mode Timer</b>   | <b>0.0</b>  | <b>250.0</b>  | <b>0.0</b>    | <b>Seconds</b> |
|  | This parameter defines the time period, whereby if the drive operates at the frequency / speed set in P3-14 (Standby speed threshold) for greater than the set time period, the Optidrive output will be disabled, and the display will show <b>Stndby</b> . The function is disabled if P2-27 = 0.0. |   |               |               |                |
| P2-28  | <b>Slave Speed Scaling Control</b>  | <b>0</b>  | <b>3</b>      | <b>0</b>      | <b>-</b>       |
|  | Active in Keypad mode (P1-12 = 1 or 2) and Slave mode (P1-12=5) only. The keypad reference can be multiplied by a preset scaling factor or adjusted using an analog trim or offset.   |   |               |               |                |
|  | <b>0 Disabled (No Scaling)</b>  |   |               |               |                |
|  | <b>1 Master Speed * P2-29</b>   |   |               |               |                |
|  | <b>2 (Master Speed * P2-29) + analog input 1</b>  |   |               |               |                |
| <b>3 (Master Speed * P2-29) * analog input 1</b> |   |   |               |               |                |
| P2-29  | <b>Slave Speed Scaling Factor</b>   | <b>-500.0</b>   | <b>500.0</b>  | <b>100.0</b>  | <b>%</b>       |
|  | Used in conjunction with P2-28.   |   |               |               |                |
| P2-30  | <b>Analog Input 1 (Terminal 6) Format</b>   | See Below   |               | <b>U 0-10</b> | <b>-</b>       |
|  | <b>Setting</b>  | <b>Signal Format</b>  |               |               |                |
|  | <b>U 0-10</b>   | 0 to 10 Volt Signal (Uni-polar)   |               |               |                |
|  | <b>U 10-0</b>   | 10 to 0 Volt Signal (Uni-polar)   |               |               |                |
|  | <b>-10-10</b>   | -10 to +10 Volt Signal (Bi-polar)   |               |               |                |
|  | <b>R 0-20</b>   | 0 to 20mA Signal  |               |               |                |
|  | <b>t 4-20</b>   | 4 to 20mA Signal, the Optidrive will trip and show the fault code <b>4-20F</b> if the signal level falls below 3mA  |               |               |                |
|  | <b>r 4-20</b>   | 4 to 20mA Signal, the Optidrive will ramp to Preset Speed 8 (P2-08) if the signal level falls below 3mA   |               |               |                |
|  | <b>t 20-4</b>   | 20 to 4mA Signal, the Optidrive will trip and show the fault code <b>4-20F</b> if the signal level falls below 3mA  |               |               |                |
| <b>r 20-4</b>                                    | 20 to 4mA Signal, the Optidrive will ramp to Preset Speed 8 (P2-08) if the signal level falls below 3mA   |   |               |               |                |
| P2-31  | <b>Analog Input 1 Scaling</b>   | <b>0.0</b>  | <b>2000.0</b> | <b>100.0</b>  | <b>%</b>       |
|  | Scales the analog input by this factor, e.g. if P2-30 is set for 0 – 10V, and the scaling factor is set to 200.0%, a 5 volt input will result in the drive running at maximum speed (P1-01).  |   |               |               |                |
| P2-32  | <b>Analog Input 1 Offset</b>  | <b>-500.0</b>   | <b>500.0</b>  | <b>0.0</b>    | <b>%</b>       |
|  | Sets an offset, as a percentage of the full scale range of the input, which is applied to the analog input signal.  |   |               |               |                |
| P2-33  | <b>Analog Input 2 (Terminal 10) Format</b>  | See Below   |               | <b>U 0-10</b> | <b>-</b>       |
|  | <b>Setting</b>  | <b>Signal Format</b>  |               |               |                |
|  | <b>U 0-10</b>   | 0 to 10 Volt Signal (Uni-polar)   |               |               |                |
|  | <b>U 10-0</b>   | 10 to 0 Volt Signal (Uni-polar)   |               |               |                |
|  | <b>Ptc-tt</b>   | Motor PTC Thermistor Input  |               |               |                |
|  | <b>R 0-20</b>   | 0 to 20mA Signal  |               |               |                |
|  | <b>t 4-20</b>   | 4 to 20mA Signal, the Optidrive will trip and show the fault code <b>4-20F</b> if the signal level falls below 3mA  |               |               |                |
|  | <b>r 4-20</b>   | 4 to 20mA Signal, the Optidrive will ramp to Preset Speed 8 (P2-08) if the signal level falls below 3mA   |               |               |                |
|  | <b>t 20-4</b>   | 20 to 4mA Signal, the Optidrive will trip and show the fault code <b>4-20F</b> if the signal level falls below 3mA  |               |               |                |
| <b>r 20-4</b>                                    | 20 to 4mA Signal, the Optidrive will ramp to Preset Speed 8 (P2-08) if the signal level falls below 3mA   |   |               |               |                |
| P2-34  | <b>Analog Input 2 Scaling</b>   | <b>0.0</b>  | <b>2000.0</b> | <b>100.0</b>  | <b>%</b>       |
|  | Scales the analog input by this factor, e.g. if P2-30 is set for 0 – 10V, and the scaling factor is set to 200.0%, a 5 volt input will result in the drive running at maximum speed (P1-01).  |   |               |               |                |



| Par  | Parameter Name   | Minimum   | Maximum   | Default       | Units    |
|--|--|---|---|---------------|----------|
| P2-35  | <b>Analog Input 2 Offset</b>   | <b>-500.0</b>   | <b>500.0</b>  | <b>0.0</b>    | <b>%</b> |
|  | Sets an offset, as a percentage of the full scale range of the input, which is applied to the analog input signal.   |   |   |               |          |
| P2-36  | <b>Start Mode Select / Automatic Restart</b>   | <b>See Below</b>  |   | <i>Auto-0</i> | <b>%</b> |
|  | Defines the behaviour of the drive relating to the enable digital input and also configures the Automatic Restart function.  |   |   |               |          |
|  | <i>Edge-r</i>  | Following Power on or reset, the drive will not start if Digital Input 1 remains closed. The Input must be closed after a power on or reset to start the drive.   |   |               |          |
|  | <i>Auto-0</i>  | Following a Power On or Reset, the drive will automatically start if Digital Input 1 is closed.   |   |               |          |
|  | <i>Auto-1</i>  | Following a trip, the drive will make up to 5 attempts to restart at 20 second intervals. The drive must be powered down to reset the counter. The numbers of restart attempts are counted, and if the drive fails to start on the final attempt, the drive will fault with, and will require the user to manually reset the fault. |   |               |          |
|  | <i>Auto-2</i>  |   |   |               |          |
|  | <i>Auto-3</i>  |   |   |               |          |
|  | <i>Auto-4</i>  |   |   |               |          |
| <i>Auto-5</i>  |  |   |   |               |          |
|  <b>DANGER! "Auto" modes allow the drive to Auto-start, therefore the impact on system/Personnel safety needs to be considered.</b> |  |   |   |               |          |
| P2-37  | <b>Keypad Start Mode</b>   | <b>0</b>  | <b>3</b>  | <b>1</b>      | <b>-</b> |
|  | This parameter is only active when P1-12 = 1 or 2. When settings 0 to 3 are used, the drive must be started by pressing the Start key on the keypad. When settings 4 – 7 are used, the drive starting is controlled by the enable digital input. |   |   |               |          |
|  | <b>0</b>   | <b>Minimum speed, keypad start</b>  | Following a stop and restart, the drive will always initially run at the minimum speed P1-02.   |               |          |
|  | <b>1</b>   | <b>Previous speed, keypad start</b>   | Following a stop and restart, the drive will return to the last keypad setpoint speed used prior to stopping.   |               |          |
|  | <b>2</b>   | <b>Current speed, keypad start</b>  | Where the Optidrive is configured for multiple speed references (typically Hand / Auto control or Local / Remote control), when switched to keypad mode by a digital input, the drive will continue to operate at the last operating speed.   |               |          |
|  | <b>3</b>   | <b>Preset speed 8, keypad start</b>   | Following a stop and restart, the Optidrive will always initially run at Preset Speed 8 (P2-08).  |               |          |
|  | <b>4</b>   | <b>Minimum speed, terminal start</b>  | Following a stop and restart, the drive will always initially run at the minimum speed P1-02.   |               |          |
|  | <b>5</b>   | <b>Previous speed, terminal start</b>   | Following a stop and restart, the drive will return to the last keypad setpoint speed used prior to stopping.   |               |          |
|  | <b>6</b>   | <b>Current speed, terminal start</b>  | Where the Optidrive is configured for multiple speed references (typically Hand / Auto control or Local / Remote control), when switched to keypad mode by a digital input, the drive will continue to operate at the last operating speed.   |               |          |
|  | <b>7</b>   | <b>Preset speed 8, terminal start</b>   | Following a stop and restart, the Optidrive will always initially run at Preset Speed 8 (P2-08).  |               |          |
| P2-38  | <b>Mains Loss Stop / Ride Through</b>  | <b>0</b>  | <b>2</b>  | <b>0</b>      | <b>-</b> |
|  | <b>0</b>   | <b>Mains Loss Ride Through</b>  | The Optidrive will attempt to continue operating by recovering energy from the load motor. Providing that the mains loss period is short, and sufficient energy can be recovered before the drive control electronics power off, the drive will automatically restart on return of mains power. |               |          |
|  | <b>1</b>   | <b>Coast To Stop</b>  | The Optidrive will immediately disable the output to the motor, allowing the load to coast or free wheel. When using this setting with high inertia loads, the Spin Start function (P2-26) may need to be enabled.  |               |          |
|  | <b>2</b>   | <b>Fast Ramp To Stop</b>  | The drive will ramp to stop at the rate programmed in the 2nd deceleration time P2-25.  |               |          |
|  | <b>3</b>   | <b>DC bus supply mode</b>   | This mode is intended to be used when the drive is powered directly via the +DC and –DC Bus connections. Refer to your Invertek Sales Partner for further details.  |               |          |
| P2-39  | <b>Parameter Lock</b>  | <b>0</b>  | <b>1</b>  | <b>0</b>      | <b>-</b> |
|  | <b>0</b>   | <b>Unlocked</b>   | All parameters can be accessed and changed.   |               |          |
|  | <b>1</b>   | <b>Locked</b>   | Parameter values can be displayed, but cannot be changed.   |               |          |
| P2-40  | <b>Extended Menu Access Code</b>   | <b>0</b>  | <b>9999</b>   | <b>101</b>    | <b>-</b> |
|  | Defines the access code which must be entered in P1-14 to access parameter groups above Group 1.   |   |   |               |          |

## 8.2. Parameter Group 3 – PID Control

### 8.2.1. Overview

Optidrive P2 provides an internal PID controller. Parameters for configuration of the PID controller are located together in Group 3. For simple applications, the user needs to only define the setpoint source (P3-05 to select the source or P3-06 for a fixed setpoint), feedback source (P3-10) and adjust the P Gain (P3-01), I time (P3-02) and optionally the differential time (P3-03).

The PID operation is uni-directional, and all signals are treated as 0 – 100% to provide a simple, intuitive operating format.

### 8.2.2. Parameter List

| Par   | Parameter Name   | Minimum  | Maximum      | Default      | Units    |
|-------|--|--|--------------|--------------|----------|
| P3-01 | <b>PID Proportional Gain</b>   | <b>0.1</b>   | <b>30.0</b>  | <b>1.0</b>   | <b>-</b> |
|       | PID Controller Proportional Gain. Higher values provide a greater change in the drive output frequency in response to small changes in the feedback signal. Too high a value can cause instability.  |  |              |              |          |
| P3-02 | <b>PID Integral Time Constant</b>  | <b>0.0</b>   | <b>30.0</b>  | <b>1.0</b>   | <b>s</b> |
|       | PID Controller Integral Time. Larger values provide a more damped response for systems where the overall process responds slowly.  |  |              |              |          |
| P3-03 | <b>PID Differential Time Constant</b>  | <b>0.00</b>  | <b>1.00</b>  | <b>0.00</b>  | <b>s</b> |
|       | PID Differential Time Constant.  |  |              |              |          |
| P3-04 | <b>PID Operating Mode</b>  | <b>0</b>   | <b>1</b>     | <b>1</b>     | <b>-</b> |
|       | <b>0 Direct</b>  | Use this mode if an increase in the motor speed should result in an increase in the feedback signal.             |              |              |          |
|       | <b>1 Inverse</b>   | Use this mode if an increase in the motor speed should result in a decrease in the feedback signal.              |              |              |          |
| P3-05 | <b>PID Reference Select</b>  | <b>0</b>   | <b>2</b>     | <b>0</b>     | <b>-</b> |
|       | <b>0 Digital preset</b>  | P3-06 is used.   |              |              |          |
|       | <b>1 Analog Input 1</b>  | Analog Input 1 as displayed in P0-01 is used.  |              |              |          |
|       | <b>2 Analog Input 2</b>  | Analog Input 2 as displayed in P0-02 is used.  |              |              |          |
| P3-06 | <b>PID Digital Reference Value</b>   | <b>0.0</b>   | <b>100.0</b> | <b>0.0</b>   | <b>%</b> |
|       | When P3-05 = 0, this parameter sets the preset digital reference (setpoint) used for the PID Controller. Where the feedback is provided from a transducer such as a pressure transducer or level measurement, this represents the percentage of the pressure range (e.g. for a 0 – 10 Bar transducer, 4 bar = 40%) or the level.   |  |              |              |          |
| P3-07 | <b>PID Output Upper Limit</b>  | <b>P3-08</b>   | <b>100.0</b> | <b>100.0</b> | <b>%</b> |
|       | Limits the maximum value output from the PID controller.   |  |              |              |          |
| P3-08 | <b>PID Output Lower Limit</b>  | <b>0.0</b>   | <b>P3-07</b> | <b>0.0</b>   | <b>%</b> |
|       | Limits the minimum output from the PID controller.   |  |              |              |          |
| P3-09 | <b>PID Output Limit Select</b>   | <b>0</b>   | <b>3</b>     | <b>0</b>     | <b>-</b> |
|       | <b>0 Digital Output Limits</b>   | The output range of the PID controller is limited by the values of P3-07 & P3-08.                                |              |              |          |
|       | <b>1 Upper limit set by analog input 1</b>   | The output range of the PID controller is limited by the values of P3-08 & the signal applied to Analog Input 1. |              |              |          |
|       | <b>2 Lower limit set by analog input 1</b>   | The output range of the PID controller is limited by the signal applied to Analog Input 1 & the value of P3-07.  |              |              |          |
|       | <b>3 PID output added to analog input 1</b>  | The output value from the PID Controller is added to the speed reference applied to the Analog Input 1.          |              |              |          |
| P3-10 | <b>PID Feedback Select</b>   | <b>0</b>   | <b>1</b>     | <b>0</b>     | <b>-</b> |
|       | <b>0 Analog Input 2</b>  |  |              |              |          |
|       | <b>1 Analog Input 1</b>  |  |              |              |          |
|       | <b>2 Motor Current</b>   |  |              |              |          |
|       | <b>3 DC Bus Voltage</b>  |  |              |              |          |
|       | <b>4 Differential : Analog Input 1 – Analog Input 2</b>  |  |              |              |          |
|       | <b>5 Largest Value : Analog Input 1 or Analog Input 2</b>  |  |              |              |          |
| P3-11 | <b>PID Error To Enable Ramp</b>  | <b>0.0</b>   | <b>25.0</b>  | <b>0.0</b>   | <b>%</b> |
|       | Defines a threshold PID error level, whereby if the difference between the setpoint and feedback values is less than the set threshold, the internal ramp times of the drive are disabled. Where a greater PID error exists, the ramp times are enabled to limit the rate of change of motor speed on large PID errors, and react quickly to small errors.<br>Setting to 0.0 means that the drive ramps are always enabled. This parameter is intended to allow the user to disable the drive internal ramps where a fast reaction to the PID control is required, however by only disabling the ramps when a small PID error exists, the risk of possible over current or over voltage trips being generated are reduced. |  |              |              |          |

| Par   | Parameter Name  | Minimum                                       | Maximum  | Default      | Units    |
|-------|---|---|--|--------------|----------|
| P3-12 | <b>PID Feedback Display Scaling</b>   | <b>0.000</b>                                  | <b>50.000</b>  | <b>0.000</b> | <b>-</b> |
|       | Applies a scaling factor to the displayed PID feedback, allowing the user to display the actual signal level from a transducer, e.g. 0 – 10 Bar etc.  |   |  |              |          |
| P3-13 | <b>PID Error Wake Level</b>   | <b>0.0</b>                                    | <b>100.0</b>   | <b>5.0</b>   | <b>%</b> |
|       | Sets a programmable level whereby if the drive enters standby motor whilst operating under PID control, the selected feedback signal must fall below this threshold before the drive will return to normal operation. |   |  |              |          |
| P3-18 | <b>PID Reset Control</b>  | <b>0</b>                                      | <b>1</b>   | <b>1</b>     | <b>-</b> |
|       | <b>0</b>  | <b>Continuous operation</b>                   | In this operating mode, the PID controller operates continuously, regardless of whether the drive is enabled or disabled. This can result in the output of the PID controller reaching the maximum level prior to the drive enable signal being applied. |              |          |
|       | <b>1</b>  | <b>Operate only when the drive is enabled</b> | In this operating mode, the PID controller only operates when the drive is enabled, and hence will always start from zero when the drive is enabled.   |              |          |

### 8.2.3. Parameter Group 4 – High Performance Motor Control

#### Overview

Parameters relating to the motor control are located together in Group 4. These parameters allow the user to:

- Select the motor type to match the connected motor.
- Carry out an autotune.
- Define the torque limits and setpoint source for control methods that support this (vector control methods only).

Optidrive P2 can operate with both Asynchronous Induction Motors, the type most commonly seen today, and also some synchronous motors. The sections below provide basic guidance on how to adjust the parameters to operate with the required motor type.

### 8.2.4. Asynchronous IM Motors

#### IM Motor Control Methods


IM Motors may be operated in the following modes:

- V/F Speed Control (Default Mode)
  - This mode provides the simplest control, and is suitable for a wide range of applications.
- Sensorless Vector Torque Control
  - This method is suitable for specific applications only, which require the motor torque to be the primary control function, rather than speed, and should be used with extreme care only in specific applications.
- Sensorless Vector Speed Control
  - This method provides increased starting torque compared to V/F mode, along with improved motor speed regulation with changing load conditions. This method is suitable for more demanding applications.

#### Operating in Sensorless Vector Speed Control Mode

Optidrive P2 can be programmed by the user to operate in Sensorless Vector mode, which provides enhanced low speed torque, optimum motor speed regulation regardless of load and accurate control of the motor torque. In most applications, the default Voltage Vector control mode will provide adequate performance, however if Sensorless Vector operation is required, use the following procedure.

- Ensure advanced parameter access is enabled by setting P1-14 = 101.
- Enter the motor nameplate details into the relevant parameters as follows:
  - P1-07 Motor Rated Voltage
  - P1-08 Motor Rated Current
  - P1-09 Motor Rated Frequency
  - (Optional) P1-10 Motor Rated Speed (Rpm)
  - P4-05 Motor Power Factor.
- Select Sensorless Vector Speed Control mode by setting P4-01 = 0.
- Ensure that the motor is correctly connected to the drive.
- Carry out a motor data Autotune by setting P4-02 = 1.

|   |   |
|---|---|
|  | The Autotune will begin immediately when P4-02 is set regardless of the status of the drive enable signal. Whilst the autotune procedure does not drive or spin the motor, the motor shaft may still turn slightly. It is not normally necessary to uncouple the load from the motor; however the user should ensure that no risk arises from the possible movement of the motor shaft. |
|   | It is essential that the correct motor data is entered into the relevant drive parameters. Incorrect parameter settings can result in poor or even dangerous performance.   |

## 8.2.5. Synchronous Motors

### Overview

Optidrive P2 provides open loop vector control of the following synchronous motor types.

### PM AC Permanent Magnet AC Motors and BLDC Brushless DC Motors

Optidrive P2 can be used to control Permanent Magnet AC or Brushless DC motors without a feedback encoder or resolver. These motors operate synchronously, and a vector control strategy is used to maintain correct operation. In general, the motor can be operated between 10% - 100% of rated speed with a correctly selected and configured drive. Optimum control is achieved when the motor back EMF / Rated speed ratio is  $\geq 1\text{V/Hz}$ . Motors with Back EMF / Rated frequency ratio below this level may not operate correctly, or may operate only with reduced speed range.

PM AC and BLDC motor control employs the same strategy, and the same commissioning method is applied.



Permanent Magnet motors (including BLDC) produce an output voltage known as the Back EMF when the shaft is rotated. The user must ensure that the motor shaft cannot rotate at a speed where this Back EMF exceeds the voltage limit for the drive, otherwise damage can occur.

The following parameter settings are necessary before attempting to operate the motor.

- Ensure advanced parameter access is enabled by setting P1-14 = 101.
- Enter the motor nameplate details into the relevant parameters as follows:
  - P1-07 Back EMF at Rated Frequency / Speed (kE)  
This is the voltage imposed by the magnets at the drive output terminals when the motor operates at rated frequency or speed. Some motors may provide a value for volts per thousand RPM, and it may be necessary to calculate the correct value for P1-07.
  - P1-08 Motor Rated Current.
  - P1-09 Motor Rated Frequency.
  - (Optional) P1-10 Motor Rated Speed (Rpm).
- Select PM Motor Speed control mode by setting P4-01 = 3 or BLDC Motor Speed Control by setting P4-01 = 5.
- Ensure that the motor is correctly connected to the drive.
- Carry out a motor data Autotune by setting P4-02 = 1.
  - The autotune measures the electrical data required from the motor to ensure good control.
- To improve motor starting and low speed operation, the following parameters may require adjustment:
  - P7-14: Low Frequency Torque Boost Current: Injects additional current into the motor to help rotor alignment at low output frequency. Set as % of P1-08.
  - P7-15: Low Frequency Torque Boost Frequency Limit: Defines the frequency range where the torque boost is applied. Set as % of P1-09.

Following the steps above, it should be possible to operate the motor. Further parameter settings are possible to enhance the performance if required, please refer to your Invertek Drives Sales Partner for more information.

### 8.2.6. Syn RM Synchronous Reluctance Motors

When operating with Synchronous Reluctance motors, carry out the following steps:


- Ensure advanced parameter access is enabled by setting P1-14 = 101.
- Enter the motor nameplate details into the relevant parameters as follows:
  - P1-07 Motor Rated Voltage.
  - P1-08 Motor Rated Current.
  - P1-09 Motor Rated Frequency.
  - (Optional) P1-10 Motor Rated Speed (Rpm).
  - P4-05 Motor Power Factor.
- Select Synchronous Reluctance Motor Control mode by setting P4-01 = 6.
- Ensure that the motor is correctly connected to the drive.
- Carry out a motor data Autotune by setting P4-02 = 1.

### 8.2.7. Group 4 Parameter Listing



Incorrect adjustment of parameters in menu group 4 can cause unexpected behaviour of the motor and any connected machinery. It is recommended that these parameters are only adjusted by experienced users.

| Par          | Parameter Name  |                                   |   |   | Minimum  | Maximum      | Default      | Units    |
|--------------|---|-----------------------------------|---|---|--|--------------|--------------|----------|
| <b>P4-01</b> | <b>Motor Control Mode</b>   |                                   |   |   | <b>0</b>   | <b>6</b>     | <b>2</b>     | <b>-</b> |
|              | <b>Setting</b>  | <b>Motor Type</b>                 | <b>Primary Control</b>  | <b>Control Method</b>                               | <b>Additional Information</b>  |              |              |          |
|              | <b>0</b>  | IM                                | Speed   | Vector  | Speed control with Torque Limit. Torque Limit Source selected by P4-06.  |              |              |          |
|              | <b>1</b>  | IM                                | Torque  | Vector  | Torque Control with Speed Limit. Torque reference selected by P4-06. Speed Limit defined by the Speed Reference. |              |              |          |
|              | <b>2</b>  | IM                                | Speed   | V/F   | V/F control for simple applications with standard IM Motors.   |              |              |          |
|              | <b>3</b>  | AC PM                             | Speed   | Vector  | For speed control of AC PM motors with Sinusoidal back EMF.  |              |              |          |
|              | <b>4</b>  | AC PM                             | Torque  | Vector  | For torque control of AC PM motors with Sinusoidal back EMF.   |              |              |          |
|              | <b>5</b>  | BLDC                              | Speed   | Vector  | For speed control of BLDC motors with Trapezoidal back EMF.  |              |              |          |
| <b>6</b>     | Syn RM  | Speed                             | Vector  | For speed control of Synchronous Reluctance motors. |  |              |              |          |
| <b>P4-02</b> | <b>Motor Auto-tune Enable</b>   |                                   |   |   | <b>0</b>   | <b>1</b>     | <b>0</b>     | <b>-</b> |
|              | When set to 1, the drive immediately carries out a non-rotating autotune to measure the motor parameters for optimum control and efficiency. Following completion of the autotune, the parameter automatically returns to 0.  |                                   |   |   |  |              |              |          |
| <b>P4-03</b> | <b>Vector Speed Controller Proportional Gain</b>  |                                   |   |   | <b>0.1</b>   | <b>400.0</b> | <b>25.0</b>  | <b>%</b> |
|              | Sets the proportional gain value for the speed controller when operating in Vector Speed or Vector Torque motor control modes (P4-01 = 0 or 1). Higher values provide better output frequency regulation and response. Too high a value can cause instability or even over current trips. For applications requiring best possible performance, the value should be adjusted to suit the connected load by gradually increasing the value and monitoring the actual output speed of the load until the required dynamic behaviour is achieved with little or no overshoot where the output speed exceeds the setpoint.<br>In general, higher friction loads can tolerate higher values of proportional gain, and high inertia, low friction loads may require the gain to be reduced. |                                   |   |   |  |              |              |          |
| <b>P4-04</b> | <b>Vector Speed Controller Integral Time Constant</b>   |                                   |   |   | <b>0.000</b>   | <b>2.000</b> | <b>0.050</b> | <b>s</b> |
|              | Sets the integral time for the speed controller. Smaller values provide a faster response in reaction to motor load changes, at the risk of introducing instability. For best dynamic performance, the value should be adjusted to suit the connected load.   |                                   |   |   |  |              |              |          |
| <b>P4-05</b> | <b>Motor Power Factor cos Ø</b>   |                                   |   |   | <b>0.50</b>  | <b>0.99</b>  | <b>-</b>     | <b>-</b> |
|              | When operating in Vector Speed motor control modes, this parameter must be set to the motor nameplate power factor.   |                                   |   |   |  |              |              |          |
| <b>P4-06</b> | <b>Torque Control Reference / Limit Source</b>  |                                   |   |   | <b>0</b>   | <b>5</b>     | <b>0</b>     | <b>-</b> |
|              | <b>0</b>  | <b>Maximum torque limit P4-07</b> | The torque controller reference / limit is set in P4-07.  |   |  |              |              |          |
|              | <b>1</b>  | <b>Analog Input 1</b>             | The output torque is controlled based on the signal applied to Analog Input 1, whereby 100% input signal level will result in the drive output torque being limited by the value set in P4-07.        |   |  |              |              |          |
|              | <b>2</b>  | <b>Analog Input 2</b>             | The output torque is controlled based on the signal applied to Analog Input 2, whereby 100% input signal level will result in the drive output torque being limited by the value set in P4-07.        |   |  |              |              |          |
|              | <b>3</b>  | <b>Fieldbus</b>                   | The output torque is controlled based on the signal from the communications Fieldbus, whereby 100% input signal level will result in the drive output torque being limited by the value set in P4-07. |   |  |              |              |          |
|              | <b>4</b>  | <b>Master / Slave</b>             | The output torque is controlled based on the signal from the Invertek Master / Slave, whereby 100% input signal level will result in the drive output torque being limited by the value set in P4-07. |   |  |              |              |          |
| <b>P4-07</b> | <b>Maximum Torque / Current Limit</b>   |                                   |   |   | <b>P4-08</b>   | <b>500.0</b> | <b>150.0</b> | <b>%</b> |
|              | When operating in Vector Speed or Vector Torque motor control modes (P4-01 = 0 or 1), this parameter defines the maximum torque limit or reference used by the drive in conjunction with P4-06.<br>When operating in V/F Mode (P4-01 = 2), this parameter defines the maximum output current the drive will provide to the motor before reducing the output frequency to attempt to limit the current.  |                                   |   |   |  |              |              |          |

| Par   | Parameter Name   | Minimum                                   | Maximum   | Default      | Units     |
|-------|--|---|---|--------------|-----------|
| P4-08 | <b>Minimum Torque Limit</b>  | <b>P4-08</b>                              | <b>500.0</b>  | <b>0</b>     | <b>%</b>  |
|       | Active only in Vector Speed or Vector Torque motor control modes (P4-01 = 0 or 1). Sets a minimum torque limit, whereby the when the Optidrive is enabled, it will always attempt to maintain this torque on the motor at all times whilst operating.                |   |   |              |           |
|       |  <b>NOTE This parameter should be used with extreme care, as the drive output frequency will increase to achieve the torque level, and may exceed the selected speed reference.</b> |   |   |              |           |
| P4-09 | <b>Regenerative Torque Limit</b>   | <b>0.0</b>                                | <b>200.0</b>  | <b>100.0</b> | <b>%</b>  |
|       | Active only in Vector Speed or Vector Torque motor control modes (P4-01 = 0 or 1). Sets the maximum regenerating torque allowed by the Optidrive.  |   |   |              |           |
| P4-10 | <b>V/F Characteristic Adjustment Frequency</b>   | <b>0.0</b>                                | <b>P1-09</b>  | <b>0.0</b>   | <b>Hz</b> |
|       | When operating in V/F mode (P4-01 = 2), this parameter in conjunction with P4-11 sets a frequency point at which the voltage set in P4-11 is applied to the motor. Care must be taken to avoid overheating and damaging the motor when using this feature.           |   |   |              |           |
| P4-11 | <b>V/F Characteristic Adjustment Voltage</b>   | <b>0</b>                                  | <b>P1-07</b>  | <b>0</b>     | <b>V</b>  |
|       | Used in conjunction with parameter P4-10.  |   |   |              |           |
| P4-12 | <b>Thermal Overload Retention</b>  | <b>0</b>                                  | <b>1</b>  | <b>1</b>     | <b>-</b>  |
|       | <b>0</b>   | <b>Disabled</b>                           |   |              |           |
|       | <b>1</b>   | <b>Enabled</b>                            | All Optidrives feature electronic thermal overload protection for the connected motor, designed to protect the motor against damage. An internal overload accumulator monitors the motor output current over time, and will trip the drive if the usage exceeds the thermal limit. When P4-12 is disabled, removing the power supply from the drive and re-applying will reset the value of the accumulator. When P4-12 is enabled, the value is retained during power off. |              |           |
| P4-13 | <b>Output Phase Sequence</b>   | <b>0</b>                                  | <b>1</b>  | <b>0</b>     | <b>-</b>  |
|       | <b>0</b>   | <b>U,V,W</b>                              | Stand motor phase sequence. Typically, this provides clockwise rotation of the motor.   |              |           |
|       | <b>1</b>   | <b>U,W,V</b>                              | Reverse motor phase sequence. Typically this provides counter-clockwise rotation of the motor.  |              |           |
| P4-14 | <b>Thermal Overload Reaction</b>   | <b>0</b>                                  | <b>1</b>  | <b>0</b>     | <b>-</b>  |
|       | <b>0</b>   | <b>Trip</b>                               | When the overload accumulator reaches the limit, the drive will trip on lt.trp to prevent damage to the motor.  |              |           |
|       | <b>1</b>   | <b>Current Limit Reduction</b>            | When the overload accumulator reaches 90% of, the output current limit is internally reduced to 100% of P1-08 in order to avoid an lt.trp. The current limit will return to the setting in P4-07 when the overload accumulator reaches 10%.   |              |           |
| P4-15 | <b>Master Mode Configuration (Master-Slave Mode)</b>   | <b>0</b>                                  | <b>1</b>  | <b>0</b>     | <b>-</b>  |
|       | <b>0</b>   | <b>Motor speed &amp; torque reference</b> | In this mode, when the drive functions as a Master in Master-Slave Mode, the data broadcast on the drive network is the Master Actual Speed and the Master Torque Reference. This mode is suitable for Master-Slave applications which required speed following.  |              |           |
|       | <b>1</b>   | <b>Speed reference &amp; motor torque</b> | In this mode, when the drive functions as a Master in Master-Slave Mode, the data broadcast on the drive network is the Master Speed Reference and the Master Actual Torque. This mode is suitable for Master-Slave applications which required load sharing between multiple drives.   |              |           |

## 8.3. Parameter Group 5 – Communication Parameters

### 8.3.1. Overview

Optidrive P2 provides many methods to allow the user to connect to a variety of fieldbus networks. In addition, connection to options such as external keypads, PC and Optistick are possible. Parameter Group 5 provides the parameters required to configure the various fieldbus interfaces and connection points.

### 8.3.2. Connecting Invertek Drives Options

All Invertek Drives options which require communication with the drive, such as the Optiport and Optipad remote keypads and Optistick connect to the Optidrive P2 using the built in RJ45 connection point. The pin connections on these options are already matched, such that a simple pin to pin plug in cable can be used to connect these options without any special requirements.

For further information on connecting and using these optional items, refer to the specific option User guide.

### 8.3.3. Connecting to a PC

Optidrive P2 may be connected to a PC with Microsoft Windows operating system to allow use of the Optitools Studio PC software for commissioning and monitoring. There are two possible methods of connection as follows:

- **Wired Connection.** Requires the optional PC connection kit OPT-2-USB485-OBUS which provides a USB to RS485 serial port conversion and premanufactured RJ45 connection.
- **Bluetooth Wireless Connection.** Requires the optional Optistick OPT-3-STICK. The PC must have Bluetooth onboard or a suitable Bluetooth dongle which can support a Bluetooth serial connection.

With either communication method, the steps to establish a connection between the PC and drive are as follows:

- Download and install the Optitools Studio PC software to the PC.
- Start the software, and select the Parameter Editor function.
- If the drive address has been changed in parameter P5-01, ensure that in the Optitools Studio software the Network Scan Limit setting in the lower left corner of the screen is set to the same or higher value.
- In Optitools Studio select Tools > Communication Type.
  - If using the Optistick, Select BlueTooth.
  - If using the wired PC connection kit, select RS485.
- In Optitools Studio select Tools > Select COM Port > Select the COM port associated with the connection.
- Click the Scan Drive Network button in the lower left corner of the screen.

### 8.3.4. Modbus RTU Connection

Optidrive P2 supports Modbus RTU communication. Connection is made through the RJ45 connector. For further information refer to section 9.2. *Modbus RTU Communications* on page 62.

### 8.3.5. CAN Open Connection

Optidrive P2 supports CAN Open communication. Connection is made through the RJ45 connector. For further information refer to section 9.3. *CAN Open Communication* on page 64.

### 8.3.6. Other Fieldbus Networks

Additional fieldbus network protocols are supported using optional interfaces. Refer to the Invertek Drives website for a list of supported protocols and the required interface option modules.

### 8.3.7. Communication Parameters

| Par        | Name  | Minimum                            | Maximum      | Default      | Units          |
|------------|---|------------------------------------|--------------|--------------|----------------|
| P5-01      | <b>Drive Fieldbus Address</b>   | <b>1</b>                           | <b>63</b>    | <b>1</b>     | <b>-</b>       |
|            | Sets the Fieldbus address for the Optidrive.<br>When using Modbus RTU, this parameter sets the Node Address. Refer to section 9.2. <i>Modbus RTU Communications</i> for further information. Please note that if a higher Modbus address than 63 is required, P5-16 can be used – see P5-16 for further information. This parameter also determines the Optibus address of the drive for use with OptiTools Studio. |                                    |              |              |                |
| P5-02      | <b>CAN Baud Rate</b>  | <b>125</b>                         | <b>1000</b>  | <b>500</b>   | <b>kbps</b>    |
|            | Sets the baud rate when CAN Open communications are used.   |                                    |              |              |                |
| P5-03      | <b>Modbus RTU Baud rate</b>   | <b>9.6</b>                         | <b>115.2</b> | <b>115.2</b> | <b>kbps</b>    |
|            | Sets the baud rate when Modbus RTU communications are used.   |                                    |              |              |                |
| P5-04      | <b>Modbus RTU Data Format</b>   | <b>-</b>                           | <b>-</b>     | <b>-</b>     | <b>-</b>       |
|            | Sets the expected Modbus telegram data format as follows:   |                                    |              |              |                |
|            | <i>n-1</i>  | No Parity, 1 stop bit              |              |              |                |
|            | <i>n-2</i>  | No parity, 2 stop bits             |              |              |                |
|            | <i>0-1</i>  | Odd parity, 1 stop bit             |              |              |                |
| <i>E-1</i> | Even parity, 1 stop bit   |                                    |              |              |                |
| P5-05      | <b>Communications Loss Timeout</b>  | <b>0.0</b>                         | <b>5.0</b>   | <b>2.0</b>   | <b>Seconds</b> |
|            | Sets the watchdog time period for the communications channel. If a valid telegram is not received by the Optidrive within this time period, the drive will assume a loss of communications has occurred and react as selected below. Setting to zero disables the function.   |                                    |              |              |                |
| P5-06      | <b>Communications Loss Action</b>   | <b>0</b>                           | <b>3</b>     | <b>0</b>     | <b>-</b>       |
|            | <b>0</b>  | <b>Trip &amp; Coast To Stop</b>    |              |              |                |
|            | <b>1</b>  | <b>Ramp to Stop Then Trip</b>      |              |              |                |
|            | <b>2</b>  | <b>Ramp to Stop Only (No Trip)</b> |              |              |                |
|            | <b>3</b>  | <b>Run at Preset Speed 8</b>       |              |              |                |

| Par      | Name  | Minimum                         | Maximum   | Default    | Units    |            |
|----------|---|---------------------------------|---|------------|----------|------------|
| P5-07    | <b>Fieldbus Ramp Control</b>  |                                 | <b>0</b>  | <b>1</b>   | <b>0</b> | <b>-</b>   |
|          | <b>0</b>  | <b>Disabled</b>                 | Ramps are control from internal drive parameters P1-03 and P1-04.   |            |          |            |
|          | <b>1</b>  | <b>Enabled</b>                  | Ramps are controlled directly by the Fieldbus PDI4 Data Word.   |            |          |            |
| P5-08    | <b>Fieldbus PDO-4 Data Select</b>   |                                 | <b>0</b>  | <b>4</b>   | <b>0</b> | <b>-</b>   |
|          | <b>0</b>  | <b>Motor torque</b>             | 0 to 2000 = 0 to 200.0%   |            |          |            |
|          | <b>1</b>  | <b>Motor power</b>              | Output power in kW to two decimal places, e.g. 400 = 4.00kW   |            |          |            |
|          | <b>2</b>  | <b>Digital Input Status</b>     | Bit 0 indicates digital input 1 status, bit 1 indicates digital input 2 status etc  |            |          |            |
|          | <b>3</b>  | <b>Analog Input 2</b>           | 0 to 1000 = 0 to 100.0%   |            |          |            |
|          | <b>4</b>  | <b>Heatsink Temperature</b>     | 0 to 100 = 0 to 100°C   |            |          |            |
|          | <b>5</b>  | <b>User register 1</b>          | User Defined Register 1 Value   |            |          |            |
|          | <b>6</b>  | <b>User register 2</b>          | User Defined Register 1 Value   |            |          |            |
| <b>7</b> | <b>P0-80 value</b>  | User Selected data value        |   |            |          |            |
| P5-12    | <b>Fieldbus PDO-3 Data Select</b>   |                                 | <b>0</b>  | <b>7</b>   | <b>0</b> | <b>-</b>   |
|          | <b>0</b>  | <b>Motor current</b>            | Output current to 1 decimal place, e.g. 100 = 10.0 Amps   |            |          |            |
|          | <b>1</b>  | <b>Motor power</b>              | Output power in kW to two decimal places, e.g. 400 = 4.00kW   |            |          |            |
|          | <b>2</b>  | <b>Digital input status</b>     | Bit 0 indicates digital input 1 status, bit 1 indicates digital input 2 status etc  |            |          |            |
|          | <b>3</b>  | <b>Analog Input 2</b>           | 0 to 1000 = 0 to 100.0%   |            |          |            |
|          | <b>4</b>  | <b>Heatsink Temperature</b>     | 0 to 100 = 0 to 100°C   |            |          |            |
|          | <b>5</b>  | <b>User register 1</b>          | User Defined Register 1 Value   |            |          |            |
|          | <b>6</b>  | <b>User register 2</b>          | User Defined Register 1 Value   |            |          |            |
| <b>7</b> | <b>P0-80 value</b>  | User Selected data value        |   |            |          |            |
| P5-13    | <b>Fieldbus PDI-4 Function Select</b>   |                                 | <b>0</b>  | <b>1</b>   | <b>0</b> | <b>-</b>   |
|          | <b>0</b>  | <b>Fieldbus ramps</b>           | This option must be selected if the drive acceleration and deceleration ramps are to be controlled from the fieldbus. P5-07 must also be set to 1 to enable this function.  |            |          |            |
|          | <b>1</b>  | <b>User register 4</b>          | The value received by the drive in PDI 4 is transferred to User Register 4. This option allows the function of the process data word to be defined in Parameter Group 9. In this case, User Register 4 should not be written to within any PLC function code, although the value can be read. |            |          |            |
| P5-14    | <b>Fieldbus PDI-3 Function Select</b>   |                                 | <b>0</b>  | <b>2</b>   | <b>0</b> | <b>-</b>   |
|          | <b>0</b>  | <b>Torque reference / limit</b> | This option must be selected if the drive output torque limit / setpoint is to be controlled from the fieldbus. This also requires setting P4-06 = 3.   |            |          |            |
|          | <b>1</b>  | <b>PID reference</b>            | This option allows the setpoint to the PID controller to be received from the Fieldbus. In order for this option to be used, P9-38 must be set to 1, and the PID User setpoint must not be utilised within the PLC function.  |            |          |            |
|          | <b>2</b>  | <b>User register 3</b>          | The value received by the drive in PDI 3 is transferred to User Register 3. This option allows the function of the process data word to be defined in Parameter Group 9. In this case, User Register 3 should not be written to within any PLC function code, although the value can be read. |            |          |            |
| P5-15    | <b>Modbus Response Delay</b>  |                                 | <b>0</b>  | <b>16</b>  | <b>0</b> | <b>Chr</b> |
|          | Allows the user to configure an additional delay between the drive receiving a request via the Modbus RTU interface, and transmitting a reply. The value entered represents the delay in addition to the minimum delay permissible according to the Modbus RTU specification, and is expressed as the number of additional characters.                                |                                 |   |            |          |            |
| P5-16    | <b>Drive Modbus Address</b>   |                                 | <b>0</b>  | <b>273</b> | <b>0</b> | <b>-</b>   |
|          | The drive Modbus (and Optibus) address is set in P5-01 which has a maximum value of 63. If a higher Modbus address is required for a larger network, it can be set in this parameter.<br>If this parameter is set to a value greater than 0, this address will become the Drive Modbus address. If this value is set to 0, P5-01 determines the Drive Modbus address. |                                 |   |            |          |            |

## 8.4. Advanced Parameters

For Advanced Parameters, basic information only is provided in this guide. The parameter functions are described more fully in Optitools Studio PC software.

### 8.4.1. Parameter Group 6 – Advanced Configuration



| Par.  | Function                                  | Setting Range               |                       | Default | Notes   |
|-------|---|-----------------------------|-----------------------|---------|---|
| P6-01 | Firmware Upgrade Enable                   | 0                           | Disabled              | 0       | This parameter should not be adjusted by the user.  |
|       |   | 1                           | Update I/O & P/S      |         |   |
|       |   | 2                           | Update I/O            |         |   |
|       |   | 3                           | Update P/S            |         |   |
| P6-02 | Thermal Overload Management               | 4 – 32kHz (Model Dependent) |                       | 4 kHz   | Minimum Effective Switching Frequency.  |
| P6-03 | Auto Reset Time Delay                     | 1 – 60 Seconds              |                       | 20s     |   |
| P6-04 | Relay Output Hysteresis                   | 0.0 – 25.0%                 |                       | 0.3%    |   |
| P6-05 | Encoder Feedback Enable                   | 0                           | Disabled              | 0       |   |
|       |   | 1                           | Enabled               |         |   |
| P6-06 | Encoder PPR                               | 0 - 65535                   |                       | 0       |   |
| P6-07 | Speed Error Trip Threshold                | 0.0 – 100.0%                |                       | 5.0%    |   |
| P6-08 | Max Speed Reference Frequency             | 0 – 20kHz                   |                       | 0 kHz   |   |
| P6-09 | Speed Droop Control                       | 0.0 – 25.0%                 |                       | 0.0%    |   |
| P6-10 | Function Block Program Enable             | 0                           | Disabled              | 0       |   |
|       |   | 1                           | Enabled               |         |   |
| P6-11 | Speed Hold Time on Enable                 | 0 – 250s                    |                       | 0s      |   |
| P6-12 | Speed Hold / DC Injection Time on Disable | 0 – 250s                    |                       | 0s      |   |
| P6-13 | Hoist Brake Release Time                  | 0.0 – 5.0s                  |                       | 0.2s    |   |
| P6-14 | Hoist Brake Apply Time                    | 0.0 – 5.0s                  |                       | 0.3s    |   |
| P6-15 | Hoist Brake Pre-Torque Level              | 0.0 – 200.0%                |                       | 8.0%    |   |
| P6-16 | Hoist Pre-Torque Time Limit               | 0.0 – 25.0s                 |                       | 5.0s    |   |
| P6-17 | Maximum Torque Time Limit                 | 0.0 – 25.0s                 |                       | 0.0s    |   |
| P6-18 | DC Injection Braking Current              | 0.0 – 100.0%                |                       | 0.0%    | This function is active only for Induction Motors (IM) and Synchronous Reluctance Motor (SyncRM). |
| P6-19 | Brake Resistor Resistance                 | Model Dependent             |                       |         |   |
| P6-20 | Brake Resistor Power                      | Model Dependent             |                       |         |   |
| P6-21 | Brake Chopper Ut Duty                     | 0.0 – 20.0%                 |                       | 2.0%    |   |
| P6-22 | Reset Fan Run Time                        | 0                           | No Reset              | 0       |   |
|       |   | 1                           | Reset                 |         |   |
| P6-23 | Reset Energy Meters                       | 0                           | No Reset              | 0       |   |
|       |   | 1                           | Reset                 |         |   |
| P6-24 | Maintenance Time Interval                 | 0 – 60000 Hours             |                       | 0 Hours |   |
| P6-25 | Reset Maintenance Indicator               | 0                           | No Reset              | 0       |   |
|       |   | 1                           | Reset                 |         |   |
| P6-26 | Analog Output 1 Scaling                   | 0.0 – 500.0%                |                       | 100.0%  |   |
| P6-27 | Analog Output 1 Offset                    | -500.0 – 500.0%             |                       | 0.0%    |   |
| P6-28 | P0-80 Display Index                       | 0 - 255                     |                       | 0       |   |
| P6-29 | User Default Parameters                   | 0                           | No Function           | 0       |   |
|       |   | 1                           | Save user parameters  |         |   |
|       |   | 2                           | Clear user parameters |         |   |
| P6-30 | Level 3 (Advanced) Access Code            | 0 – 9999                    |                       | 201     |   |

#### 8.4.2. Parameter Group 7 – Motor Control

| Par.  | Function                                  | Setting Range   | Default   | Notes   |   |
|-------|---|-----------------|---|---|---|
| P7-01 | Motor Stator Resistance                   | 0.000 – 65.535  | Drive<br>Dependent  | Motor data, measured or calculated during the autotune.<br>P7-04 is not used for PM & BLDC Motors.<br>P7-06 is used only for PM motors. |   |
| P7-02 | Motor Rotor Resistance                    | 0.000 – 65.535  |   |   |   |
| P7-03 | Motor Stator Inductance (d)               | 0.0000 – 1.0000 |   |   |   |
| P7-04 | Magnetising Current (id)                  | Drive Dependent |   |   |   |
| P7-05 | Motor Leakage Coefficient (Sigma)         | 0.000 – 0.250   |   |   |   |
| P7-06 | Motor Q Axis Inductance (Lsq)             | 0.0000 – 1.0000 |   |   |   |
| P7-07 | Enhanced Generator Mode                   | 0               | Disable   | 0   | Improves motor control in applications with high regenerative power requirement.                                  |
|       |   | 1               | Enable  |   |   |
| P7-08 | Motor Parameter Adaptation                | 0               | Disabled  | 0   | Enables motor parameter adaptation, intended to compensate for changes in the motor temperature during operation. |
|       |   | 1               | Enable  |   |   |
| P7-09 | Over Voltage Current Limit                | 0.0 – 100.0%    | 5.0%  |   |   |
| P7-10 | Load Inertia Constant                     | 0 - 600         | 10  |   |   |
| P7-11 | Pulse Width Minimum Limit                 | 0 - 500         |   |   |   |
| P7-12 | V/F Mode Magnetising Delay Time           | 0 – 5000ms      | Drive<br>Dependent  | Sets the motor magnetising period in V/F Mode.<br>Sets the motor alignment time in PM modes.  |   |
| P7-13 | Vector Speed Controller Differential Gain | 0.00 – 1.00     | 0.00  | Derivative speed loop gain applied in Vector control modes.   |   |
| P7-14 | Low Frequency Torque Boost                | 0.0 – 100.0%    | 0.0%  | For PM Motors, applies a torque boost current at low frequency, % x P1-08.  |   |
| P7-15 | Torque Boost Frequency Limit              | 0.0 – 50.0%     | 0.0%  | For PM motors, determines the frequency, % x P1-09 when the boost current is removed.   |   |
| P7-16 | PM Motor Signal Injection                 | 0               | Disabled  | 0   |   |
|       |   | 1               | Signal Injection During Magnetizing Period                  |   |   |
|       |   | 2               | Signal Injection at Low Speed                               |   |   |
|       |   | 3               | Signal Injection During Magnetizing Period and at Low Speed |   |   |
| P7-17 | Signal Injection Level                    | 0 - 100         | 10  |   |   |
| P7-18 | Over Modulation                           | 0               | Disabled  | 0   |   |
|       |   | 1               | Enable  |   |   |
| P7-19 | Modulation Mode                           | 0               | 3-Phase Modulation  | 0   |   |
|       |   | 1               | 2-Phase Modulation  |   |   |

#### 8.4.3. Parameter Group 8 – Additional Ramps and Functions

| Par.  | Function                  | Setting Range                | Default                 | Notes |  |
|-------|---------------------------|------------------------------|-------------------------|-------|--|
| P8-01 | Acceleration Ramp 2       | 0.00 – 600.0 / 0.0 – 6000.0s | 5.0s                    |       |  |
| P8-02 | Ramp 1 → 2 Speed Boundary | 0.0 – P1-01 Hz / Rpm         | 0.0                     |       |  |
| P8-03 | Acceleration Ramp 3       | 0.00 – 600.0 / 0.0 – 6000.0s | 5.0s                    |       |  |
| P8-04 | Ramp 2 → 3 Speed Boundary | 0.0 – P1-01 Hz / Rpm         | 0.0                     |       |  |
| P8-05 | Acceleration Ramp 4       | 0.00 – 600.0 / 0.0 – 6000.0s | 5.0s                    |       |  |
| P8-06 | Ramp 3 → 4 Speed Boundary | 0.0 – P1-01 Hz / Rpm         | 0.0                     |       |  |
| P8-07 | Deceleration Ramp 4       | 0.00 – 600.0 / 0.0 – 6000.0s | 5.0s                    |       |  |
| P8-08 | Ramp 4 → 3 Speed Boundary | 0.0 – P1-01 Hz / Rpm         | 0.0                     |       |  |
| P8-09 | Deceleration Ramp 3       | 0.00 – 600.0 / 0.0 – 6000.0s | 5.0s                    |       |  |
| P8-10 | Ramp 3 → 2 Speed Boundary | 0.0 – P1-01 Hz / Rpm         | 0.0                     |       |  |
| P8-11 | Deceleration Ramp 2       | 0.00 – 600.0 / 0.0 – 6000.0s | 5.0s                    |       |  |
| P8-12 | Ramp 2 → 1 Speed Boundary | 0.0 – P1-01 Hz / Rpm         | 0.0                     |       |  |
| P8-13 | Ramp Select Control       | 0                            | Digital input selection | 0     |  |
|       |                           | 1                            | Speed based selection   |       |  |

### 8.4.4. Parameter Group 9 – User Inputs and Output Programming

| Par.  | Function                        | Setting Range  |                                  | Default | Notes  |
|-------|---------------------------------|--|----------------------------------|---------|--|
| P9-01 | Enable Input Source             |  |                                  |         | These parameters allow the user to directly select the source of the various command points. Parameters are only adjustable if P1-13 = 0. This allows complete flexibility over the drive control functions, and interaction with the internal Function Block programming environment. |
| P9-02 | Fast Stop Input Source          |  |                                  |         |  |
| P9-03 | Run Forward Input Source        |  |                                  |         |  |
| P9-04 | Run Reverse Input Select        |  |                                  |         |  |
| P9-05 | Latch Function Enable           | 0  | OFF                              | 0       |  |
|       |                                 | 1  | ON                               |         |  |
| P9-06 | Reverse Input Source            | See above  |                                  |         |  |
| P9-07 | Reset Input Source              |  |                                  |         |  |
| P9-08 | External Trip Input Source      |  |                                  |         |  |
| P9-09 | Terminal Control Select Source  |  |                                  |         |  |
| P9-10 | Speed Reference Source 1        | In combination with P9-18 – P9-20, allow selection of several speed reference sources for common applications. |                                  |         |  |
| P9-11 | Speed Reference Source 2        |  |                                  |         |  |
| P9-12 | Speed Reference Source 3        |  |                                  |         |  |
| P9-13 | Speed Reference Source 4        |  |                                  |         |  |
| P9-14 | Speed Reference Source 5        |  |                                  |         |  |
| P9-15 | Speed Reference Source 6        |  |                                  |         |  |
| P9-16 | Speed Reference Source 7        |  |                                  |         |  |
| P9-17 | Speed Reference Source 8        |  |                                  |         |  |
| P9-18 | Speed Reference Select Input 0  | See above  |                                  |         |  |
| P9-19 | Speed Reference Select Input 1  |  |                                  |         |  |
| P9-20 | Speed Reference Select Input 2  |  |                                  |         |  |
| P9-21 | Preset Speed Select Input 0     |  |                                  |         |  |
| P9-22 | Preset Speed Select Input 1     |  |                                  |         |  |
| P9-23 | Preset Speed Select Input 2     |  |                                  |         |  |
| P9-24 | Acceleration Ramp Select Bit 0  |  |                                  |         |  |
| P9-25 | Acceleration Ramp Select Bit 1  |  |                                  |         |  |
| P9-26 | Deceleration Ramp Bit 0         |  |                                  |         |  |
| P9-27 | Deceleration Ramp Bit 1         |  |                                  |         |  |
| P9-28 | Motorised Pot Up Input Source   |  |                                  |         |  |
| P9-29 | Motorised Pot Down Input Source |  |                                  |         |  |
| P9-30 | Speed Limit Switch Forward      |  |                                  |         |  |
| P9-31 | Speed Limit Switch Reverse      |  |                                  |         |  |
| P9-33 | Analog Output 1 Source          | 0  | Defined by P2-11                 | 0       | These parameters allow the user to override the normal parameter control source for the associated function, allowing interaction with the internal Function Block programming environment.  |
|       |                                 | 1  | Function block program - digital |         |  |
|       |                                 | 2  | Function block program - analog  |         |  |
| P9-34 | Analog Output 2 Source          | 0  | Defined by P2-13                 | 0       |  |
|       |                                 | 1  | Function block program - digital |         |  |
|       |                                 | 2  | Function block program - analog  |         |  |
| P9-35 | Relay 1 Control Source          | 0  | Defined by P2-15                 | 0       |  |
|       |                                 | 1  | Function block program - digital |         |  |
| P9-36 | Relay 2 Control Source          | 0  | Defined by P2-18                 | 0       |  |
|       |                                 | 1  | Function block program - digital |         |  |
| P9-37 | Display Scaling Source Control  | 0  | Defined by P2-21                 | 0       |  |
|       |                                 | 1  | Function block program - digital |         |  |
| P9-38 | PID Reference Source            | 0  | Defined by P3-05                 | 0       |  |
|       |                                 | 1  | Function block program - digital |         |  |
| P9-39 | PID Feedback Source             | 0  | Defined by P3-10                 | 0       |  |
|       |                                 | 1  | Function block program - digital |         |  |
| P9-40 | Torque Reference Source         | 0  | Defined by P4-06                 | 0       |  |
|       |                                 | 1  | Function block program - digital |         |  |
| P9-41 | Relay 3,4,5 Function            | 0  | Healthy : Tripped : Running      | 0       |  |
|       |                                 | 1  | Function block program - digital |         |  |

## 8.5. Parameter Group 0 – Monitoring Parameters (Read Only)

| Par.         | Function   | Units    |
|--------------|--|----------|
| <b>PO-01</b> | Analog Input 1 Value   | %        |
| <b>PO-02</b> | Analog Input 2 Value   | %        |
| <b>PO-03</b> | Digital Input Status – Bit representation (0 or 1) where the left most digit indicates the status of Digital Input 1 | N/A      |
| <b>PO-04</b> | Speed Controller Reference   | Hz / RPM |
| <b>PO-05</b> | Torque Controller Reference  | %        |
| <b>PO-06</b> | Digital Speed Reference  | Hz / RPM |
| <b>PO-07</b> | Fieldbus Speed Reference   | Hz / RPM |
| <b>PO-08</b> | PID Reference (Setpoint)   | %        |
| <b>PO-09</b> | PID Feedback   | %        |
| <b>PO-10</b> | PID Output   | %        |
| <b>PO-11</b> | Motor Voltage  | V        |
| <b>PO-12</b> | Output Torque  | %        |
| <b>PO-13</b> | Trip Log – Last 4 Trips  | N/A      |
| <b>PO-14</b> | Magnetising Current (id)   | A        |
| <b>PO-15</b> | Rotor Current (iq)   | A        |
| <b>PO-16</b> | DC Bus Voltage Ripple  | V        |
| <b>PO-17</b> | Motor Stator Resistance Rs   | Ω        |
| <b>PO-18</b> | Motor Stator Inductance Ls   | H        |
| <b>PO-19</b> | Motor Rotor Resistance Rr  | Ω        |
| <b>PO-20</b> | DC Bus Voltage   | V        |
| <b>PO-21</b> | Heatsink Temperature   | °C       |
| <b>PO-22</b> | Time Left To Next Service  | Hours    |
| <b>PO-23</b> | Time Heatsink > 85°C   | HH:MM:SS |
| <b>PO-24</b> | Time Internal > 80°C   | HH:MM:SS |
| <b>PO-25</b> | Estimated Rotor Speed  | Hz / RPM |
| <b>PO-26</b> | kWh Meter  | kWh      |
| <b>PO-27</b> | MWh Meter  | MWh      |
| <b>PO-28</b> | Software Version   | N/A      |
| <b>PO-29</b> | Drive type   | N/A      |
| <b>PO-30</b> | Drive serial number  | N/A      |
| <b>PO-31</b> | Total Run Time   | HH:MM:SS |
| <b>PO-32</b> | Run Time Since Last Trip 1   | HH:MM:SS |
| <b>PO-33</b> | Run Time Since Last Trip   | HH:MM:SS |
| <b>PO-34</b> | Run Time Since Last Enable   | HH:MM:SS |
| <b>PO-35</b> | Cooling fan operating time   | Hours    |
| <b>PO-36</b> | DC Bus Voltage Log: 8 samples, 256ms   | V        |
| <b>PO-37</b> | DC Bus Voltage Ripple Log: 8 samples 20ms  | V        |
| <b>PO-38</b> | Heatsink Temperature Log: 8 samples, 30s   | °C       |
| <b>PO-39</b> | Internal Temperature Log: 8 samples, 30s   | °C       |
| <b>PO-40</b> | Motor Current Log: 8 samples 256ms   | A        |
| <b>PO-41</b> | O-I Fault Counter  | N/A      |
| <b>PO-42</b> | O-Volts Fault Counter  | N/A      |
| <b>PO-43</b> | U-Volts Fault Counter  | N/A      |
| <b>PO-44</b> | Heatsink O-Temp Counter  | N/A      |
| <b>PO-45</b> | Brake resistor over current trip counter   | N/A      |

| Par.         | Function                              | Units    |
|--------------|---------------------------------------|----------|
| <b>P0-46</b> | Internal over temperature trip count  | N/A      |
| <b>P0-47</b> | I/O Comms Fault Counter               | N/A      |
| <b>P0-48</b> | DSP Comms Fault Counter               | N/A      |
| <b>P0-49</b> | Modbus RTU Fault Counter              | N/A      |
| <b>P0-50</b> | CAN Fault Counter                     | N/A      |
| <b>P0-51</b> | PDI cyclic data                       | N/A      |
| <b>P0-52</b> | PDO cyclic data                       | N/A      |
| <b>P0-53</b> | Phase U Current Offset and Reference  | N/A      |
| <b>P0-54</b> | Phase V Current Offset and Reference  | N/A      |
| <b>P0-55</b> | Reserved                              | N/A      |
| <b>P0-56</b> | Brake Max On Time / Duty              | N/A      |
| <b>P0-57</b> | Ud / Uq                               | N/A      |
| <b>P0-58</b> | Encoder Feedback Speed                | Hz / RPM |
| <b>P0-59</b> | Frequency Input Speed                 | Hz / RPM |
| <b>P0-60</b> | Calculated Slip Speed                 | Hz / RPM |
| <b>P0-61</b> | Relay Speed Hysteresis                | Hz / RPM |
| <b>P0-62</b> | Droop speed                           | Hz / RPM |
| <b>P0-63</b> | Post ramp speed reference             | Hz / RPM |
| <b>P0-64</b> | Actual Eff. Switching Frequency       | kHz      |
| <b>P0-65</b> | Drive Total Life Time                 | HH:MM:SS |
| <b>P0-66</b> | Function block program ID             | N/A      |
| <b>P0-67</b> | Overload Integration Level            | %        |
| <b>P0-68</b> | User ramp value                       | S        |
| <b>P0-69</b> | I2C Error Counter                     | N/A      |
| <b>P0-70</b> | Option Module ID                      | N/A      |
| <b>P0-71</b> | Fieldbus Module ID                    | N/A      |
| <b>P0-72</b> | Internal Temperature                  | °C       |
| <b>P0-73</b> | 24 Hour Timer Value                   | Minute   |
| <b>P0-74</b> | L1 Input Voltage                      | V        |
| <b>P0-75</b> | L2 Input Voltage                      | V        |
| <b>P0-76</b> | L3 Input Voltage                      | V        |
| <b>P0-77</b> | Encoder Pulse Count                   | N/A      |
| <b>P0-78</b> | Test parameter                        | N/A      |
| <b>P0-79</b> | Boot-Loader and Motor Control Version | N/A      |
| <b>P0-80</b> | P6-28 Selected Parameter              | N/A      |

# 9. Serial Communications

## 9.1. RS-485 Communications

Optidrive P2 has an RJ45 connector located within the wiring enclosure of the drive. This connector allows the user to set up a drive network via a wired connection. The connector contains two independent RS485 connections, one for Invertek’s Optibus Protocol and one for Modbus RTU / CANBus. Both connections can be used simultaneously. The Optibus connection is always available, and can be used simultaneously with other interfaces, however only one other interface may be used, e.g. If Modbus RTU is in use, CAN is disabled. If a Fieldbus Option Module (E.g. Profibus) is inserted into the drive, both Modbus and CAN are disabled. The electrical signal arrangement of the RJ45 connector is shown as follows:



|          |   |
|----------|---|
| <b>1</b> | CAN-                                      |
| <b>2</b> | CAN+                                      |
| <b>3</b> | 0 Volts                                   |
| <b>4</b> | Optibus / Remote Keypad / PC Connection   |
| <b>5</b> | Optibus / Remote Keypad / PC Connection + |
| <b>6</b> | +24 Volt                                  |
| <b>7</b> | -RS485 (Modbus RTU)                       |
| <b>8</b> | +RS485 (Modbus RTU)                       |

**Warning:**  
This is not an Ethernet connection. Do not connect directly to an Ethernet port.

**Warning:**  
When using Modbus RTU or BACnet, ensure that the OV signal (T3) is also used to avoid comms errors and potentially damaging common mode voltages.

- The Optibus data link is only used for connection of Invertek peripherals and inter-drive communication.
- The Modbus interface allows connection to a Modbus RTU network as described in section 9.2. Modbus RTU Communications.

### 9.1.1. RS-485 Communications Electrical Connections

Modbus RTU and CANbus connection should be made via the RJ45 connector. The pin assignments are as shown above, in section 9.1. RS-485 Communications.

- Modbus RTU and CANbus networks require three conductors for best operation and to eliminate common mode voltages on the drive terminals:
  - RSR85+
  - RS485-
  - 0 Volt Common
- Connection should be made using a suitable dual twisted pair, shielded cable, with a wave impedance of 120R.
- Use one of the twisted pairs to connect to the RS485+ and RS485- of each drive.
- Use one conductor of the remaining pair to connect together all the 0 volt common connection terminals.
- The cable shield should be connected to a suitable clean ground point to prevent interference with the screen maintained as close as possible to the cable terminations.
- Do not connect the 0 Volt Common, RS485- or RS485+ to ground at any point.
- Network terminating resistor (120R) should be used at the end of the network to reduce noise.

## 9.2. Modbus RTU Communications

### 9.2.1. Modbus Telegram Structure

The Optidrive P2 supports Master / Slave Modbus RTU communications, using the 03 Read Multiple Holding Registers and 06 Write Single Holding Register commands and 16 Write Multiple Holding Registers (Supported for registers 1 – 4 only). Many Master devices treat the first Register address as Register 0; therefore it may be necessary to convert the Register Numbers detail in section 9.2.2. Modbus Control & Monitoring Registers by subtracting 1 to obtain the correct Register address.

### 9.2.2. Modbus Control & Monitoring Registers

The following is a list of accessible Modbus Registers available in the Optidrive P2.

- When Modbus RTU is configured as the Fieldbus option, all of the listed registers can be accessed.
- Registers 1 and 2 can be used to control the drive providing that Modbus RTU is selected as the primary command source (P1-12 = 4) and no Fieldbus Option Module is installed in the drive Option Slot.
- Register 4 can be used to control the acceleration and deceleration rate of the drive providing that Fieldbus Ramp Control is enabled (P5-07 = 1).
- Registers 6 to 24 can be read regardless of the setting of P1-12.

| Register Number | Upper Byte               | Lower Byte   | Read Write | Notes  |
|-----------------|--------------------------|--------------|------------|--|
| 1               | Command Control Word     |              | R/W        | Command control word used to control the Optidrive when operating with Modbus RTU. The Control Word bit functions are as follows:<br>Bit 0 : Run/Stop command. Set to 1 to enable the drive. Set to 0 to stop the drive.<br>Bit 1 : Fast stop request. Set to 1 to enable drive to stop with 2nd deceleration ramp.<br>Bit 2 : Reset request. Set to 1 in order to reset any active faults or trips on the drive. This bit must be reset to zero once the fault has been cleared.<br>Bit 3 : Coast stop request. Set to 1 to issue a coast stop command.   |
| 2               | Command Speed Reference  |              | R/W        | Setpoint must be sent to the drive in Hz to one decimal place, e.g. 500 = 50.0Hz.  |
| 3               | Command Torque Reference |              | R/W        | Setpoint must be sent to the drive in % to one decimal place, e.g. 2000 = 200.0%.  |
| 4               | Command Ramp times       |              | R/W        | This register specifies the drive acceleration and deceleration ramp times used when Fieldbus Ramp Control is selected (P5-08 = 1) irrespective of the setting of P1-12. The input data range is from 0 to 60000 (0.00s to 600.00s).   |
| 6               | Error code               | Drive status | R          | This register contains 2 bytes.<br>The Lower Byte contains an 8 bit drive status word as follows:<br>Bit 0 : 0 = Drive Disabled (Stopped), 1 = Drive Enabled (Running).<br>Bit 1 : 0 = Drive Healthy, 1 = Drive Tripped.<br>Bit 2 : No Function.<br>Bit 3 : Drive Ready, 1 = Drive Inhibit.<br>Bit 4 : Maintenance Time Not Reached, 1 = Maintenance Time Reached.<br>Bit 5 : 0 = Not In Standby (Sleep), 1 = Standby (Sleep) mode active.<br>Bit 6 : No function.<br>Bit 7 : 0 = Normal condition, 1 = Low or High Load condition detected.<br>The Upper Byte will contain the relevant fault number in the event of a drive trip. Refer to section 11.1. <i>Fault Messages</i> for a list of fault codes and diagnostic information.<br>Bit 8 : No Function.<br>The Upper Byte will contain the relevant fault number in the event of a drive trip. Refer to section 11.1. <i>Fault Messages</i> for a list of fault codes and diagnostic information. |
| 7               | Output Frequency         |              | R          | Output frequency of the drive to one decimal place, e.g.123 = 12.3 Hz.   |
| 8               | Output Current           |              | R          | Output current of the drive to one decimal place, e.g.105 = 10.5 Amps.   |
| 9               | Output Torque            |              | R          | Motor output torque level to one decimal place, e.g. 474 = 47.4 %.   |
| 10              | Output Power             |              | R          | Output power of the drive to two decimal places, e.g.1100 = 11.00 kW.  |
| 11              | Digital Input Status     |              | R          | Represents the status of the drive inputs where Bit 0 = Digital Input 1 etc.   |
| 20              | Analog 1 Level           |              | R          | Analog Input 1 Applied Signal level in % to one decimal place, e.g. 1000 = 100.0%.   |
| 21              | Analog 2 Level           |              | R          | Analog Input 2 Applied Signal level in % to one decimal place, e.g. 1000 = 100.0%.   |
| 22              | Pre Ramp Speed Reference |              | R          | Internal drive frequency setpoint.   |
| 23              | DC bus voltages          |              | R          | Measured DC Bus Voltage in Volts.  |
| 24              | Drive temperature        |              | R          | Measured Heatsink Temperature in °C.   |

### 9.2.3. Modbus Parameter Access

All User Adjustable parameters (Groups 1 to 5) are accessible by Modbus, except those that would directly affect the Modbus communications, e.g.

- P5-01 Drive Fieldbus Address – see also P5-16 Drive Modbus Address.
- P5-03 Modbus RTU Baud Rate.
- P5-04 Modbus RTU Data Format.

All parameter values can be read from the drive and written to, depending on the operating mode of the drive – some parameters cannot be changed whilst the drive is enabled for example.

When accessing a drive parameter via Modbus, the Register number for the parameter is the same as the parameter number, e.g. Parameter P1-01 = Modbus Register 101.

Modbus RTU supports sixteen bit integer values, hence where a decimal point is used in the drive parameter, the register value will be multiplied by a factor of ten,

e.g. Read Value of P1-01 = 500, therefore this is 50.0Hz.

For further details on communicating with Optidrive using Modbus RTU, please refer to your local Invertek Sales Partner.

### 9.3. CAN Open Communication

#### 9.3.1. Overview

The CANopen communication profile in the P2 drive is implemented according to the specification DS301 version 4.02 of CAN in automation ([www.can-cia.de](http://www.can-cia.de)). Specific device profiles such as DS402 are not supported.

#### 9.3.2. Basic Operation Setup

The CANopen communication function is enabled by default after power up however in order to use any control functions through CANopen, Parameter P1-12 must be set to 6.

The CAN communication baud rate can be selected by parameter P5-02. Available baud rates are 125kbps, 250kbps, 500kbps, 1Mbps. Default settings is 500kbps.

The Node ID is set up through drive address parameter P5-01 with a default value of 1.

#### 9.3.3. COB ID and Functions

Optidrive P2 provides the following default COB-ID and functions:

| Table 1 : Messages and COB-IDs |                     |   |
|--------------------------------|---------------------|---|
| Type                           | COB-ID              | Function  |
| NMT                            | 000h                | Network management.   |
| Sync                           | 080h                | Synchronous message.<br>COB-ID can be configured to other value.  |
| Emergency                      | 080h + Node address | Emergency message.<br>COB-ID can be configured to other value.  |
| PDO1 (TX)                      | 180h + Node address | Process data object.<br>PDO1 is pre-mapped and enabled by default.<br>PDO2 is pre-mapped and disabled by default.<br>Transmission mode, COB-ID and mapping can be configured. |
| PDO1 (RX)                      | 200h + Node address |   |
| PDO2 (TX)                      | 280h + Node address |   |
| PDO2 (RX)                      | 300h + Node address |   |
| SDO (TX)                       | 580h + Node address | SDO channel can be used for drive parameter access.   |
| SDO (RX)                       | 600h + Node address |   |
| Error Control                  | 700h + Node address | Guarding and Heartbeat function are supported.<br>COB-ID can be configured to other value.  |

#### NOTE

1. The Optidrive P2 SDO channel only supports expedited transmission.
2. The Optidrive P2 can only support up to 2 Process Data Objects (PDO). All PDOs are pre-mapped, however PDO2 is disabled by default. Table 2 gives the default PDO mapping information.
3. Customer configuration (mapping) will **NOT** be saved during power down. This means that the CANopen configuration will restore to its default condition each time the drive is powered up.

#### 9.3.4. Default PDO Mapping

| Table 2: PDO Default Mapping |             |               |             |                          |                          |
|------------------------------|-------------|---------------|-------------|--------------------------|--------------------------|
| Type                         | Objects No. | Mapped Object | Length      | Mapped Function          | Transmission             |
| RX<br>PDO 1                  | 1           | 2000h         | Unsigned 16 | Control command register | 254<br>Valid immediately |
|                              | 2           | 2001h         | Integer 16  | Speed reference          |                          |
|                              | 3           | 2002h         | Integer 16  | Torque reference         |                          |
|                              | 4           | 2003h         | Unsigned 16 | User ramp reference      |                          |



|                           |   |       |             |                                    |  |
|---------------------------|---|-------|-------------|------------------------------------|--|
| TX<br>PDO1                | 1 | 200Ah | Unsigned 16 | Drive status register              | 254<br>Send after receiving<br>RX PDO1 |
|                           | 2 | 200Bh | Integer 16  | Motor speed Hz                     |  |
|                           | 3 | 200Dh | Unsigned 16 | Motor current                      |  |
|                           | 4 | 200Eh | Integer 16  | Motor torque                       |  |
| SDO (RX)<br>Error Control | 1 | 0006h | Unsigned 16 | Dummy                              | 254                                    |
|                           | 2 | 0006h | Unsigned 16 | Dummy                              |  |
|                           | 3 | 0006h | Unsigned 16 | Dummy                              |  |
|                           | 4 | 0006h | Unsigned 16 | Dummy                              |  |
| TX<br>PDO2                | 1 | 200Fh | Unsigned 16 | Motor power                        | 254                                    |
|                           | 2 | 2010h | Integer 16  | Drive temperature                  |  |
|                           | 3 | 2011h | Unsigned 16 | DC bus value                       |  |
|                           | 4 | 200Ch | Integer 16  | Motor speed (Internal data format) |  |

\* Drive control can only be achieved when P1-12=6

### 9.3.5. Supported PDO Transmission Types

Various transmission modes can be selected for each PDO.

For RX PDO, the following modes are supported:

| Transmission Type | Mode         | Description  |
|-------------------|--------------|--|
| 0 – 240           | Synchronous  | The received data will be transferred to the drive active control register when the next sync message is received. |
| 254, 255          | Asynchronous | The received data will be transferred to the drive active control register immediately without delay.              |

For TX PDO, the following modes are supported:

| Transmission Type | Mode                | Description  |
|-------------------|---------------------|--|
| 0                 | Acyclic synchronous | TX PDO will only be sent out if the PDO data has changed and PDO will be transmitted on reception of SYNC object.  |
| 1 - 240           | Cyclic synchronous  | TX PDO will be transmitted synchronously and cyclically. The transmission type indicates the number of SYNC object that are necessary to trigger TX PDO. |
| 254               | Asynchronous        | TX PDO will only be transferred once corresponding RX PDO has been received.   |
| 255               | Asynchronous        | TX PDO will only be transferred anytime if PDO data value has changed.   |

### 9.3.6. CAN Open Specific Object Table

| Index | Sub index | Function                       | Access | Type        | PDO Map | Default value     |
|-------|-----------|--------------------------------|--------|-------------|---------|-------------------|
| 1000h | 0         | Device type                    | RO     | Unsigned 32 | N       | 0                 |
| 1001h | 0         | Error register                 | RO     | Unsigned 8  | N       | 0                 |
| 1002h | 0         | Manufacturer status register   | RO     | Unsigned 16 | N       | 0                 |
| 1005h | 0         | COB-ID Sync                    | RW     | Unsigned 32 | N       | 00000080h         |
| 1008h | 0         | Manufacturer device name       | RO     | String      | N       | ODP2              |
| 1009h | 0         | Manufacturer hardware version  | RO     | String      | N       | x.xx              |
| 100Ah | 0         | Manufacturer software version  | RO     | String      | N       | x.xx              |
| 100Ch | 0         | Guard time [1ms]               | RW     | Unsigned 16 | N       | 0                 |
| 100Dh | 0         | Life time factor               | RW     | Unsigned 8  | N       | 0                 |
| 1014h | 0         | COB-ID EMCY                    | RW     | Unsigned 32 | N       | 00000080h+Node ID |
| 1015h | 0         | Inhibit time emergency [100us] | RW     | Unsigned 16 | N       | 0                 |
| 1017h | 0         | Producer heart beat time [1ms] | RW     | Unsigned 16 | N       | 0                 |

| Index        | Sub index | Function                           | Access | Type        | PDO Map | Default value     |
|--------------|-----------|------------------------------------|--------|-------------|---------|-------------------|
| <b>1018h</b> | 0         | Identity object No. of entries     | RO     | Unsigned 8  | N       | 4                 |
|              | 1         | Vendor ID                          | RO     | Unsigned 32 | N       | 0x0000031A        |
|              | 2         | Product code                       | RO     | Unsigned 32 | N       | Drive depended    |
|              | 3         | Revision number                    | RO     | Unsigned 32 | N       | x.xx              |
|              | 4         | Serial number                      | RO     | Unsigned 32 | N       | e.g. 1234/56/789  |
| <b>1200h</b> | 0         | SDO parameter No. of entries       | RO     | Unsigned 8  | N       | 2                 |
|              | 1         | COB-ID client -> server (RX)       | RO     | Unsigned 32 | N       | 00000600h+Node ID |
|              | 2         | COB-ID server -> client (TX)       | RO     | Unsigned 32 | N       | 00000580h+Node ID |
| <b>1400h</b> | 0         | RX PDO1 comms param No. of entries | RO     | Unsigned 8  | N       | 2                 |
|              | 1         | RX PDO1 COB-ID                     | RW     | Unsigned 32 | N       | 40000200h+Node ID |
|              | 2         | RX PDO1 transmission type          | RW     | Unsigned 8  | N       | 254               |
| <b>1401h</b> | 0         | RX PDO2 comms param No. of entries | RO     | Unsigned 8  | N       | 2                 |
|              | 1         | RX PDO2 COB-ID                     | RW     | Unsigned 32 | N       | C0000300h+Node ID |
|              | 2         | RX PDO2 transmission type          | RW     | Unsigned 8  | N       | 0                 |
| <b>1600h</b> | 0         | RX PDO1 mapping / No. of entries   | RW     | Unsigned 8  | N       | 4                 |
|              | 1         | RX PDO1 1st mapped object          | RW     | Unsigned 32 | N       | 20000010h         |
|              | 2         | RX PDO1 2nd mapped object          | RW     | Unsigned 32 | N       | 20010010h         |
|              | 3         | RX PDO1 3rd mapped object          | RW     | Unsigned 32 | N       | 20020010h         |
|              | 4         | RX PDO1 4th mapped object          | RW     | Unsigned 32 | N       | 20030010h         |
| <b>1601h</b> | 0         | RX PDO2 mapping / No. of entries   | RW     | Unsigned 8  | N       | 4                 |
|              | 1         | RX PDO2 1st mapped object          | RW     | Unsigned 32 | N       | 00060010h         |
|              | 2         | RX PDO2 2nd mapped object          | RW     | Unsigned 32 | N       | 00060010h         |
|              | 3         | RX PDO2 3rd mapped object          | RW     | Unsigned 32 | N       | 00060010h         |
|              | 4         | RX PDO2 4th mapped object          | RW     | Unsigned 32 | N       | 00060010h         |
| <b>1800h</b> | 0         | TX PDO1 comms param No. of entries | RO     | Unsigned 8  | N       | 3                 |
|              | 1         | TX PDO1 COB-ID                     | RW     | Unsigned 32 | N       | 40000180h+Node ID |
|              | 2         | TX PDO1 transmission type          | RW     | Unsigned 8  | N       | 254               |
|              | 3         | TX PDO1 Inhibit time [100us]       | RW     | Unsigned 16 | N       | 0                 |
| <b>1801h</b> | 0         | TX PDO2 comms param No. of entries | RO     | Unsigned 8  | N       | 3                 |
|              | 1         | TX PDO2 COB-ID                     | RW     | Unsigned 32 | N       | C0000280h+Node ID |
|              | 2         | TX PDO2 transmission type          | RW     | Unsigned 8  | N       | 0                 |
|              | 3         | TX PDO2 Inhibit time [100us]       | RW     | Unsigned 16 | N       | 0                 |
| <b>1A00h</b> | 0         | TX PDO1 mapping / No. of entries   | RW     | Unsigned 8  | N       | 4                 |
|              | 1         | TX PDO1 1st mapped object          | RW     | Unsigned 32 | N       | 200A0010h         |
|              | 2         | TX PDO1 2nd mapped object          | RW     | Unsigned 32 | N       | 200B0010h         |
|              | 3         | TX PDO1 3rd mapped object          | RW     | Unsigned 32 | N       | 200D0010h         |
|              | 4         | TX PDO1 4th mapped object          | RW     | Unsigned 32 | N       | 200E0010h         |
| <b>1A01h</b> | 0         | TX PDO2 mapping / No. of entries   | RW     | Unsigned 8  | N       | 4                 |
|              | 1         | TX PDO2 1st mapped object          | RW     | Unsigned 32 | N       | 200F0010h         |
|              | 2         | TX PDO2 2nd mapped object          | RW     | Unsigned 32 | N       | 20100010h         |
|              | 3         | TX PDO2 3rd mapped object          | RW     | Unsigned 32 | N       | 20110010h         |
|              | 4         | TX PDO2 4th mapped object          | RW     | Unsigned 32 | N       | 200C0010h         |

### 9.3.7. Manufacturer Specific Object Table

The following table shows some of the manufacturer specific object dictionary for Optidrive P2. For a complete list, refer to the Optidrive P2 CAN Open Application Note.

| Index | Sub index | Function                              | Access | Type        | PDO Map | Remark         |
|-------|-----------|---------------------------------------|--------|-------------|---------|----------------|
| 2000h | 0         | Control command register              | RW     | Unsigned 16 | Y       | See Note Below |
| 2001h | 0         | Speed reference                       | RW     | Integer 16  | Y       | 500 = 50.0Hz   |
| 2002h | 0         | Torque reference                      | RW     | Integer 16  | Y       | 1000 = 100.0%  |
| 2003h | 0         | User ramp reference                   | RW     | Unsigned 16 | Y       | 500 = 5.00s    |
| 200Ah | 0         | Drive status register                 | RO     | Unsigned 16 | Y       | See Note Below |
| 200Bh | 0         | Motor speed Hz                        | RO     | Unsigned 16 | Y       | 500 = 50.0Hz   |
| 200Dh | 0         | Motor current                         | RO     | Unsigned 16 | Y       | 123 = 12.3A    |
| 200Eh | 0         | Motor torque                          | RO     | Integer 16  | Y       | 4096 = 100.0%  |
| 200Fh | 0         | Motor power                           | RO     | Unsigned 16 | Y       | 1234 = 12.34kW |
| 2010h | 0         | Drive temperature                     | RO     | Integer 16  | Y       | 30 = 30°C      |
| 2011h | 0         | DC bus value                          | RO     | Unsigned 16 | Y       |                |
| 2012h | 0         | Digital input status                  | RO     | Unsigned 16 | Y       |                |
| 2013h | 0         | Analog input 1 (percentage)           | RO     | Unsigned 16 | Y       |                |
| 2014h | 0         | Analog input 2 (percentage)           | RO     | Unsigned 16 | Y       |                |
| 2015h | 0         | Analog output 1                       | RO     | Unsigned 16 | Y       |                |
| 2016h | 0         | Analog output 2                       | RO     | Unsigned 16 | Y       |                |
| 2017h | 0         | relay output 1                        | RO     | Unsigned 16 | Y       |                |
| 2018h | 0         | relay output 2                        | RO     | Unsigned 16 | Y       |                |
| 2019h | 0         | relay output 3 (extension card)       | RO     | Unsigned 16 | Y       |                |
| 201Ah | 0         | relay output 4 (extension card)       | RO     | Unsigned 16 | Y       |                |
| 201Bh | 0         | relay output 5 (extension card)       | RO     | Unsigned 16 | Y       |                |
| 203Ah | 0         | Kilowatt hours (Can be reset by user) | RO     | Unsigned 16 | Y       |                |
| 203Bh | 0         | Megawatt hours (Can be reset by user) | RO     | Unsigned 16 | Y       |                |
| 203Ch | 0         | KWh meter                             | RO     | Unsigned 16 | Y       |                |
| 203Dh | 0         | MWh meter                             | RO     | Unsigned 16 | Y       |                |
| 203Eh | 0         | Total run hours                       | RO     | Unsigned 16 | Y       |                |
| 203Fh | 0         | Total run minute/second               | RO     | Unsigned 16 | Y       |                |
| 2040h | 0         | Current run hours (Since last enable) | RO     | Unsigned 16 | Y       |                |
| 2041h | 0         | Current run minute/second             | RO     | Unsigned 16 | Y       |                |
| 2042h | 0         | Time to next service                  | RO     | Unsigned 16 | Y       |                |
| 2043h | 0         | Room Temperature                      | RO     | Unsigned 16 | Y       |                |
| 2044h | 0         | Speed controller reference            | RO     | Unsigned 16 | Y       |                |
| 2045h | 0         | Torque controller reference           | RO     | Unsigned 16 | Y       |                |
| 2046h | 0         | Digital pot speed reference           | RO     | Unsigned 16 | Y       |                |

#### Object 2000h : Control Command Register

| Status / Bit | 15 | 14 | 13 | 12 | 11 | 10 | 9 | 8 | 7 | 6 | 5 | 4 | 3                | 2     | 1         | 0    |
|--------------|----|----|----|----|----|----|---|---|---|---|---|---|------------------|-------|-----------|------|
| 0            |    |    |    |    |    |    |   |   |   |   |   |   | Normal Operation |       |           | Stop |
| 1            |    |    |    |    |    |    |   |   |   |   |   |   | Coast Stop       | Reset | Fast Stop | Run  |

#### Object 200Ah : Drive Status Register

| Status / Bit | 15              | 14 | 13 | 12 | 11 | 10 | 9 | 8 | 7 | 6           | 5          | 4                        | 3       | 2           | 1             | 0              |
|--------------|-----------------|----|----|----|----|----|---|---|---|-------------|------------|--------------------------|---------|-------------|---------------|----------------|
| 0            | Drive Trip Code |    |    |    |    |    |   |   |   | No Function |            |                          |         |             | Drive Healthy | Drive Disabled |
| 1            | Drive Trip Code |    |    |    |    |    |   |   |   | No Function | In Standby | Maintenance Time reached | Inhibit | No Function | Drive Tripped | Drive Enabled  |

# 10. Technical Data

## 10.1. Environmental

|                             |  |            |                              |  |
|-----------------------------|--|------------|------------------------------|--|
| Ambient Temperature         | Storage and Transportation   | All Units  | -40 ... 60°C / -40 ... 140°F |  |
|                             | Operating  | IP20 Units | -10 ... 50°C / 14 ... 122°F  |  |
|                             |  | IP55 Units | - 10 ... 40°C / 14 ... 104°F | UL Approved  |
|                             |  |            | 40 ... 50°C / 104 ... 122°F  | With derating (refer to section 10.4.1. Derating for Ambient Temperature on page 72) |
|                             |  | IP66 Units | - 10 ... 40°C / 14 ... 104°F | UL Approved  |
| 40 ... 50°C / 104 ... 122°F | With derating (refer to section 10.4.1. Derating for Ambient Temperature on page 72) |            |                              |  |
| Altitude                    | Operating  | All Units  | =<1000m                      | With UL approval   |
|                             |  |            | =<4000m                      | With derating (refer to section 10.4.2. Derating for Altitude on page 72)            |
| Relative Humidity           | Operating  | All Units  | < 95%                        | Non-condensing, frost and moisture free  |

## 10.2. Input/Output Power and Current Ratings

The following tables provide the output current rating information for the various Optidrive P2 models. Inverter Drives always recommend that selection of the correct Optidrive is based upon the motor full load current at the incoming supply voltage.

### 10.2.1. 200 – 240 Volt (+/- 10%), 1 Phase Input, 3 Phase Output

| Frame Size | Power Rating |     | Input Current | Fuse or MCB (Type B) |        | Maximum Cable Size |    | Rated Output Current | Maximum Motor Cable Length |     | Recommended Brake Resistance |
|------------|--------------|-----|---------------|----------------------|--------|--------------------|----|----------------------|----------------------------|-----|------------------------------|
|            | kW           | HP  |               | A                    | Non UL | UL                 | mm |                      | AWG/kemil                  | A   |                              |
| 2          | 0.75         | 1   | 8.5           | 10                   | 15     | 8                  | 8  | 4.3                  | 100                        | 330 | 100                          |
| 2          | 1.5          | 1.5 | 15.2          | 25                   | 20     | 8                  | 8  | 7                    | 100                        | 330 | 50                           |
| 2          | 2.2          | 3   | 19.5          | 25                   | 25     | 8                  | 8  | 10.5                 | 100                        | 330 | 35                           |

### NOTE

- Ratings shown above apply to 40°C Ambient temperature. For derating information, refer to section 10.4.1. Derating for Ambient Temperature.
- The maximum motor cable length stated applies to using a shielded motor cable. When using an unshielded cable, the maximum cable length limit may be increased by 50%. When using the Inverter Drives recommended output choke, the maximum cable length may be increased by 100%.
- The PWM output switching from any inverter when used with a long motor cable length can cause an increase in the voltage at the motor terminals, depending on the motor cable length and inductance. The rise time and peak voltage can affect the service life of the motor. Inverter Drives recommend using an output choke for motor cable lengths of 50m or more to ensure good motor service life.
- For UL compliant installation, use Copper wire with a minimum insulation temperature rating of 70°C, UL Class CC or Class J Fuses.
- 3 phase drive can be connected to single phase supply when the output current is 50% derated.

### 10.2.2. 200 – 240 Volt (+/- 10%), 3 Phase Input, 3 Phase Output

| Frame Size | Power Rating |     | Input Current | Fuse or MCB (Type B) |        | Maximum Cable Size |        | Rated Output Current | Maximum Motor Cable Length |     | Recommended Brake Resistance |
|------------|--------------|-----|---------------|----------------------|--------|--------------------|--------|----------------------|----------------------------|-----|------------------------------|
|            | kW           | HP  |               | A                    | Non UL | UL                 | mm     |                      | AWG/kcmil                  | A   |                              |
| 2          | 0.75         | 1   | 5.1           | 10                   | 10     | 8                  | 8      | 4.3                  | 100                        | 330 | 100                          |
| 2          | 1.5          | 2   | 8.3           | 10                   | 15     | 8                  | 8      | 7                    | 100                        | 330 | 50                           |
| 2          | 2.2          | 3   | 12.6          | 16                   | 17.5   | 8                  | 8      | 10.5                 | 100                        | 330 | 35                           |
| 3          | 4            | 5   | 21.6          | 25                   | 30     | 8                  | 8      | 18                   | 100                        | 330 | 20                           |
| 3          | 5.5          | 7.5 | 29.1          | 40                   | 40     | 8                  | 8      | 24                   | 100                        | 330 | 20                           |
| 4          | 7.5          | 10  | 36.4          | 50                   | 50     | 16                 | 5      | 30                   | 100                        | 330 | 22                           |
| 4          | 11           | 15  | 55.8          | 63                   | 70     | 16                 | 5      | 46                   | 100                        | 330 | 22                           |
| 5          | 15           | 20  | 70.2          | 80                   | 90     | 35                 | 2      | 61                   | 100                        | 330 | 12                           |
| 5          | 18.5         | 25  | 82.9          | 100                  | 110    | 35                 | 2      | 72                   | 100                        | 330 | 12                           |
| 6          | 22           | 30  | 103.6         | 125                  | 150    | 150                | 300MCM | 90                   | 100                        | 330 | 6                            |
| 6          | 30           | 40  | 126.7         | 160                  | 175    | 150                | 300MCM | 110                  | 100                        | 330 | 6                            |
| 6          | 37           | 50  | 172.7         | 200                  | 225    | 150                | 300MCM | 150                  | 100                        | 330 | 6                            |
| 6          | 45           | 50  | 183.3         | 250                  | 250    | 150                | 300MCM | 180                  | 100                        | 330 | 6                            |
| 7          | 55           | 50  | 205.7         | 250                  | 300    | 150                | 300MCM | 202                  | 100                        | 330 | 6                            |
| 7          | 75           | 50  | 255.5         | 315                  | 350    | 150                | 300MCM | 248                  | 100                        | 330 | 6                            |

#### NOTE

- Ratings shown above apply to 40°C Ambient temperature. For derating information, refer to section 10.4.1. *Derating for Ambient Temperature.*
- Operation with single phase supply is possible, with 50% derating of the output current capacity.
- The maximum motor cable length stated applies to using a shielded motor cable. When using an unshielded cable, the maximum cable length limit may be increased by 50%. When using the Invertek Drives recommended output choke, the maximum cable length may be increased by 100%.
- The PWM output switching from any inverter when used with a long motor cable length can cause an increase in the voltage at the motor terminals, depending on the motor cable length and inductance. The rise time and peak voltage can affect the service life of the motor. Invertek Drives recommend using an output choke for motor cable lengths of 50m or more to ensure good motor service life.
- For UL compliant installation, use Copper wire with a minimum insulation temperature rating of 70°C, UL Class CC or Class J Fuses.

### 10.2.3. 380 – 480 Volt (+ / - 10%), 3 Phase Input, 3 Phase Output

| Frame Size | Power Rating |     | Input Current | Fuse or MCB (Type B) |        | Maximum Cable Size |        | Rated Output Current | Maximum Motor Cable Length |     | Recommended Brake Resistance |
|------------|--------------|-----|---------------|----------------------|--------|--------------------|--------|----------------------|----------------------------|-----|------------------------------|
|            | kW           | HP  |               | A                    | Non UL | UL                 | mm     |                      | AWG/kcmil                  | A   |                              |
| 2          | 0.75         | 1   | 2.4           | 10                   | 6      | 8                  | 8      | 2.2                  | 100                        | 330 | 400                          |
| 2          | 1.5          | 2   | 5.1           | 10                   | 10     | 8                  | 8      | 4.1                  | 100                        | 330 | 200                          |
| 2          | 2.2          | 3   | 7.5           | 10                   | 10     | 8                  | 8      | 5.8                  | 100                        | 330 | 150                          |
| 2          | 4            | 5   | 11.2          | 16                   | 15     | 8                  | 8      | 9.5                  | 100                        | 330 | 100                          |
| 3          | 5.5          | 7.5 | 19            | 25                   | 25     | 8                  | 8      | 14                   | 100                        | 330 | 75                           |
| 3          | 7.5          | 10  | 21            | 25                   | 30     | 8                  | 8      | 18                   | 100                        | 330 | 50                           |
| 3          | 11           | 15  | 28.9          | 40                   | 40     | 8                  | 8      | 24                   | 100                        | 330 | 40                           |
| 4          | 15           | 20  | 37.2          | 50                   | 50     | 16                 | 5      | 30                   | 100                        | 330 | 22                           |
| 4          | 18.5         | 25  | 47            | 63                   | 60     | 16                 | 5      | 39                   | 100                        | 330 | 22                           |
| 4          | 22           | 30  | 52.4          | 63                   | 70     | 16                 | 5      | 46                   | 100                        | 330 | 22                           |
| 5          | 30           | 40  | 63.8          | 80                   | 80     | 35                 | 2      | 61                   | 100                        | 330 | 12                           |
| 5          | 37           | 50  | 76.4          | 100                  | 100    | 35                 | 2      | 72                   | 100                        | 330 | 12                           |
| 6          | 45           | 60  | 92.2          | 125                  | 125    | 150                | 300MCM | 90                   | 100                        | 330 | 6                            |
| 6          | 55           | 75  | 112.5         | 125                  | 150    | 150                | 300MCM | 110                  | 100                        | 330 | 6                            |
| 6          | 75           | 100 | 153.2         | 200                  | 200    | 150                | 300MCM | 150                  | 100                        | 330 | 6                            |
| 6          | 90           | 150 | 183.7         | 250                  | 250    | 150                | 300MCM | 180                  | 100                        | 330 | 6                            |
| 7          | 110          | 175 | 205.9         | 250                  | 300    | 150                | 300MCM | 202                  | 100                        | 330 | 6                            |
| 7          | 132          | 200 | 244.5         | 315                  | 350    | 150                | 300MCM | 240                  | 100                        | 330 | 6                            |
| 7          | 160          | 250 | 307.8         | 400                  | 400    | 150                | 300MCM | 302                  | 100                        | 330 | 6                            |
| 8          | 200          | 300 | 370           | 500                  | 500    | 240                | 450MCM | 370                  | 100                        | 330 | 2                            |
| 8          | 250          | 350 | 450           | 500                  | 600    | 240                | 450MCM | 450                  | 100                        | 330 | 2                            |

#### NOTE

- Ratings shown above apply to 40°C Ambient temperature. For derating information, refer to section 10.4.1. *Derating for Ambient Temperature.*
- Operation with single phase supply is possible, with 50% derating of the output current capacity.
- The maximum motor cable length stated applies to using a shielded motor cable. When using an unshielded cable, the maximum cable length limit may be increased by 50%. When using the Invertek Drives recommended output choke, the maximum cable length may be increased by 100%.
- The PWM output switching from any inverter when used with a long motor cable length can cause an increase in the voltage at the motor terminals, depending on the motor cable length and inductance. The rise time and peak voltage can affect the service life of the motor. Invertek Drives recommend using an output choke for motor cable lengths of 50m or more to ensure good motor service life.
- For UL compliant installation, use Copper wire with a minimum insulation temperature rating of 70°C, UL Class CC or Class J Fuses.

### 10.2.4. 500 – 600 Volt (+ / - 10%), 3 Phase Input, 3 Phase Output

| Frame Size | Power Rating |     | Input Current | Fuse or MCB (Type B) |        | Maximum Cable Size |        | Rated Output Current | Maximum Motor Cable Length |     | Recommended Brake Resistance |
|------------|--------------|-----|---------------|----------------------|--------|--------------------|--------|----------------------|----------------------------|-----|------------------------------|
|            | kW           | HP  |               | A                    | Non UL | UL                 | mm     |                      | AWG/kcmil                  | A   |                              |
| 2          | 0.75         | 1   | 2.5           | 10                   | 6      | 8                  | 8      | 2.1                  | 100                        | 330 | 600                          |
| 2          | 1.5          | 2   | 3.7           | 10                   | 6      | 8                  | 8      | 3.1                  | 100                        | 330 | 300                          |
| 2          | 2.2          | 3   | 4.9           | 10                   | 10     | 8                  | 8      | 4.1                  | 100                        | 330 | 200                          |
| 2          | 4            | 5   | 7.8           | 10                   | 10     | 8                  | 8      | 6.5                  | 100                        | 330 | 150                          |
| 2          | 5.5          | 7.5 | 10.8          | 16                   | 15     | 8                  | 8      | 9                    | 100                        | 330 | 100                          |
| 3          | 7.5          | 10  | 14.4          | 16                   | 20     | 8                  | 8      | 12                   | 100                        | 330 | 80                           |
| 3          | 11           | 15  | 20.6          | 25                   | 30     | 8                  | 8      | 17                   | 100                        | 330 | 50                           |
| 3          | 15           | 20  | 26.7          | 32                   | 35     | 8                  | 8      | 22                   | 100                        | 330 | 33                           |
| 4          | 18.5         | 25  | 34            | 40                   | 45     | 16                 | 5      | 28                   | 100                        | 330 | 33                           |
| 4          | 22           | 30  | 41.2          | 50                   | 60     | 16                 | 5      | 34                   | 100                        | 330 | 22                           |
| 4          | 30           | 40  | 49.5          | 63                   | 70     | 16                 | 5      | 43                   | 100                        | 330 | 22                           |
| 5          | 37           | 50  | 62.2          | 80                   | 80     | 35                 | 2      | 54                   | 100                        | 330 | 16                           |
| 5          | 45           | 60  | 75.8          | 100                  | 100    | 35                 | 2      | 65                   | 100                        | 330 | 12                           |
| 6          | 55           | 75  | 90.9          | 125                  | 125    | 150                | 300MCM | 78                   | 100                        | 330 | 12                           |
| 6          | 75           | 100 | 108.2         | 125                  | 150    | 150                | 300MCM | 105                  | 100                        | 330 | 8                            |
| 6          | 90           | 125 | 127.7         | 160                  | 175    | 150                | 300MCM | 130                  | 100                        | 330 | 8                            |
| 6          | 110          | 150 | 160           | 200                  | 200    | 150                | 300MCM | 150                  | 100                        | 330 | 8                            |

### 10.3. Additional Information for UL Approved Installations

Optidrive P2 is designed to meet the UL requirements. In order to ensure full compliance, the following must be fully observed.

| Input Power Supply Requirements   |   |             |  |                                      |
|---|---|-------------|--|--------------------------------------|
| Supply Voltage  | 200 – 240 RMS Volts for 230 Volt rated units, + / - 10% variation allowed. 240 Volt RMS Maximum.  |             |  |                                      |
|   | 380 – 480 Volts for 400 Volt rated units, + / - 10% variation allowed, Maximum 500 Volts RMS.   |             |  |                                      |
|   | 500 – 600 Volts for 600 Volt rated units, + / - 10% variation allowed, Maximum 600 Volts RMS.   |             |  |                                      |
| Imbalance   | Maximum 3% voltage variation between phase – phase voltages allowed.  |             |  |                                      |
|   | All Optidrive P2 units have phase imbalance monitoring. A phase imbalance of > 3% will result in the drive tripping. For input supplies which have supply imbalance greater than 3% (typically the Indian sub- continent & parts of Asia Pacific including China) Invertek Drives recommends the installation of input line reactors. Alternatively, the drives can be operated as a single phase supply drive with 50% derating. |             |  |                                      |
| Frequency   | 50 – 60Hz + / - 5% Variation.   |             |  |                                      |
| Short Circuit Capacity  | Voltage Rating  | Min kW (HP) | Max kW (HP)                                  | Maximum supply short-circuit current |
|   | All   | All         | All  | 100kA rms (AC)                       |
|   | All the drives in the above table are suitable for use on a circuit capable of delivering not more than the above specified maximum short-circuit Amperes symmetrical with the specified maximum supply voltage.  |             |  |                                      |
| Incoming power supply connection must be according to section 4.3. <i>Incoming Power Connection.</i>  |   |             |  |                                      |
| All Optidrive P2 units are intended for indoor installation within controlled environments which meet the condition limits shown in section 10.1. <i>Environmental.</i>   |   |             |  |                                      |
| Branch circuit protection must be installed according to the relevant national codes. Fuse ratings and types are shown in section 10.2. <i>Input/ Output Power and Current Ratings.</i>   |   |             |  |                                      |
| Suitable Power and motor cables should be selected according to the data shown in section 10.2. <i>Input/Output Power and Current Ratings.</i>  |   |             |  |                                      |
| Power cable connections and tightening torques are shown in section 3.4. <i>Installation Following a Period of Storage.</i>   |   |             |  |                                      |
| Optidrive P2 provides motor overload protection in accordance with the National Electrical Code (US).   |   |             |  |                                      |
| <ul style="list-style-type: none"> <li>Where a motor thermistor is not fitted, or not utilised, Thermal Overload Memory Retention must be enabled by setting P4-12 = 1.</li> <li>Where a motor thermistor is fitted and connected to the drive, connection must be carried out according to the information shown in section 4.7. <i>Motor Terminal Box Connections.</i></li> </ul> |   |             |  |                                      |
| For Canadian Installations : transient surge suppression shall be installed on the line side of this equipment and shall be rated as shown below, suitable for over voltage category iii and shall provide protection for a rated impulse withstand voltage peak of 2.5kV.  |   |             |  |                                      |
| Supply Voltage Rating of the Drive  | Phase-Phase Surge Protection Voltage Rating   |             | Phase-Ground Surge Protection Voltage Rating |                                      |
| 200 - 240VAC + / - 10%  | 230VAC  |             | 230VAC                                       |                                      |
| 380 - 480VAC + / - 10%  | 480VAC  |             | 480VAC                                       |                                      |
| 500 - 600VAC + / - 10%  | 600VAC  |             | 600VAC                                       |                                      |

## 10.4. Derating Information

Derating of the drive maximum continuous output current capacity is require when:

- Operating at ambient temperature in excess of 40°C / 104°F for enclosed drives (non UL approved).
- Operating at Altitude in excess of 1000m/ 3281 ft.
- Operation with Effective Switching Frequency higher than the minimum setting.

The following derating factors should be applied when operating drives outside of these conditions.

### 10.4.1. Derating for Ambient Temperature

| Enclosure Type | Maximum Temperature Without Derating (UL Approved) | Derate by           | Maximum Permissible Operating Ambient Temperature with Derating (Non UL Approved) |
|----------------|--|---------------------|---|
| IP20           | 50°C / 122°F                                       | N/A                 | 50°C  |
| IP55           | 40°C / 104°F                                       | 1.5% per °C (1.8°F) | 50°C  |
| IP66           | 40°C / 104°F                                       | 2.5% per °C (1.8°F) | 50°C  |

### 10.4.2. Derating for Altitude

| Enclosure Type | Maximum Altitude Without Derating | Derate by            | Maximum Permissible (UL Approved) | Maximum Permissible (Non-UL Approved) |
|----------------|-----------------------------------|----------------------|-----------------------------------|---------------------------------------|
| IP20           | 1000m / 3281ft                    | 1% per 100m / 328 ft | 2000m / 6562 ft                   | 4000m / 13123 ft                      |
| IP55           | 1000m / 3281ft                    | 1% per 100m / 328 ft | 2000m / 6562 ft                   | 4000m / 13123 ft                      |
| IP66           | 1000m / 3281ft                    | 1% per 100m / 328 ft | 2000m / 6562 ft                   | 4000m / 13123 ft                      |

### 10.4.3. Derating for Switching Frequency

| Enclosure Type | Switching Frequency (Where available) |      |       |       |       |       |
|----------------|---------------------------------------|------|-------|-------|-------|-------|
|                | 4kHz                                  | 8kHz | 12kHz | 16kHz | 24kHz | 32kHz |
| IP20           | N/A                                   | N/A  | 20%   | 30%   | 40%   | 50%   |
| IP55           | N/A                                   | 10%  | 10%   | 15%   | 25%   | N/A   |
| IP66           | N/A                                   | 10%  | 25%   | 35%   | 50%   | 50%   |

### 10.4.4. Example of applying Derating Factors

A 4kW, IP66 drive is to be used at an altitude of 2000 metres above sea level, with 12kHz switching frequency and 45°C ambient temperature.

From the table above, we can see that the rated current of the drive is 9.5 Amps at 40°C,

Firstly, apply the switching frequency derating, 12kHz, 25% derating

$$9.5 \text{ Amps} \times 75\% = 7.1 \text{ Amps}$$

Now, apply the derating for higher ambient temperature, 2.5% per °C above 40°C = 5 x 2.5% = 12.5%

$$7.1 \text{ Amps} \times 87.5\% = 6.2 \text{ Amps}$$

Now apply the derating for altitude above 1000 metres, 1% per 100m above 1000m = 10 x 1% = 10%

$$7.9 \text{ Amps} \times 90\% = 5.5 \text{ Amps continuous current available.}$$

If the required motor current exceeds this level, it will be necessary to either:

- Reduce the switching frequency selected.
- Use a higher power rated drive and repeat the calculation to ensure sufficient output current is available.

## 10.5. Internal EMC Filter and Varistors – Disconnection Procedure

### 10.5.1. IP20 Drive Models

All Optidrive P2 models provide a simple method to disconnect the internal EMC filter and surge protection varistors by fully removing the screws shown below. This should only be carried out where necessary, for example in cases such as IT or ungrounded supplies, where the phase to ground voltage can exceed the phase to phase voltage.

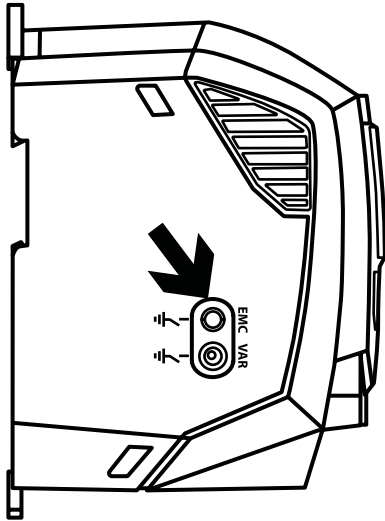
The EMC filter disconnect screw is labelled "EMC".

The surge protection varistors disconnect screw is clearly labelled "VAR".



### Frame Sizes 2 & 3

The EMC Filter and Varistor disconnect screws are located on the left side of the product when viewed from the front. Remove both screws completely



### Frame Sizes 4

Frame Size 4 units have EMC Filter disconnection points only located on the front face of the unit as shown.



### Frame Size 5

Frame Size 5 units have EMC Filter disconnection points only located on the front face of the unit as shown.



### Frame Size 6a/6b

Frame Size 6a/6b units have EMC Filter disconnection points only located on the front face of the unit as shown.



### 10.5.2. IP55 & IP66 Models

These models require disassembly in order to disconnect the EMC filter. Disconnection should be carried out only by Inverter Drives Approved Service Partners.

# 11. Troubleshooting

## 11.1. Fault Messages

| Fault Code | No. | OLED Message Description   | Corrective Action   |
|------------|-----|--|---|
| no-FLt     | 00  | No Fault   | Displayed in PO-13 if no faults are recorded in the log.  |
| OI-b       | 01  | Brake channel over current   | Ensure the connected brake resistor is above the minimum permissible level for the drive – refer to the ratings shown in section 10.2. <i>Input/Output Power and Current Ratings</i> .<br>Check the brake resistor and wiring for possible short circuits.  |
| OL-br      | 02  | Brake resistor overload  | The drive software has determined that the brake resistor is overloaded, and trips to protect the resistor. Always ensure the brake resistor is being operated within its designed parameter before making any parameter or system changes.<br>To reduce the load on the resistor, increase deceleration the time, reduce the load inertia or add further brake resistors in parallel, observing the minimum resistance value for the drive in use.   |
| O-I        | 03  | Over current trip  | <b>Fault Occurs on Drive Enable</b><br>Check the motor and motor connection cable for phase – phase and phase – earth short circuits. Check the load mechanically for a jam, blockage or stalled condition.<br>Ensure the motor nameplate parameters are correctly entered, P1-07, P1-08, P1-09.<br>If operating in Vector mode (P4-01 – 0 or 1), also check the motor power factor in P4-05 and ensure an autotune has been successfully completed for the connected motor.<br>Reduced the Boost voltage setting in P1-11.<br>Increase the ramp up time in P1-03.<br>If the connected motor has a holding brake, ensure the brake is correctly connected and controlled, and is releasing correctly.<br><b>Fault Occurs When Running</b><br>If operating in Vector mode (P4-01 – 0 or 1), reduce the speed loop gain in P4-03. |
| IL-trP     | 04  | Drive has tripped on overload after delivering >100% of value in P1-08 for a period of time. | Check to see when the decimal points are flashing (drive in overload) and either increase acceleration rate or reduce the load.<br>Check motor cable length is within the limit specified for the relevant drive in section 10.2.<br>Ensure the motor nameplate parameters are correctly entered in P1-07, P1-08, and P1-09.<br>If operating in Vector mode (P4-01 – 0 or 1), also check the motor power factor in P4-05 and ensure an autotune has been successfully completed for the connected motor.<br>Check the load mechanically to ensure it is free, and that no jams, blockages or other mechanical faults exist.   |
| PS-trP     | 05  | Hardware Over Current  | Check the wiring to motor and the motor for phase to phase and phase to earth short circuits. Disconnect the motor and motor cable and retest. If the drive trips with no motor connected, it must be replaced and the system fully checked and retested before a replacement unit is installed.  |
| O-vOLT     | 06  | Over voltage on DC bus   | The value of the DC Bus Voltage can be displayed in PO-20.<br>A historical log is stored at 250ms intervals prior to a trip in parameter PO-36.<br>This fault is generally caused by excessive regenerative energy being transferred from the load back to the drive. When a high inertia or over hauling type load is connected.<br>If the fault occurs on stopping or during deceleration, increase the deceleration ramp time P1-04 or connect a suitable brake resistor to the drive.<br>If operating in Vector Mode, reduce the speed loop gain P4-03.<br>If operating in PID control, ensure that ramps are active by reducing P3-11.   |
| U-vOLT     | 07  | Under voltage on DC bus  | This occurs routinely when power is switched off.<br>If it occurs during running, check the incoming supply voltage, and all connections into the drive, fuses, contactors etc.   |
| O-t        | 08  | Heatsink over temperature  | The heatsink temperature can be displayed in PO-21.<br>A historical log is stored at 30 second intervals prior to a trip in parameter PO-38.<br>Check the drive ambient temperature.<br>Ensure the drive internal cooling fan is operating.<br>Ensure that the required space around the drive as shown in sections 3.5. <i>Mechanical Dimensions and Weight</i> to 3.9. <i>Guidelines for Mounting (IP66 Units)</i> has been observed, and that the cooling airflow path to and from the drive is not restricted.<br>Reduce the effective switching frequency setting in parameter P2-24.<br>Reduce the load on the motor / drive.   |
| U-t        | 09  | Under temperature  | Trip occurs when ambient temperature is less than -10°C. The temperature must be raised over -10°C in order to start the drive.   |
| P-dEF      | 10  | Factory Default parameters have been loaded  | Press STOP key, the drive is now ready to be configured for the required application.   |
| E-tr iP    | 11  | External trip  | E-trip requested on control input terminals. Some settings of P1-13 require a normally closed contact to provide an external means of tripping the drive in the event that an external device develops a fault. If a motor thermistor is connected check if the motor is too hot.   |

| Fault Code | No. | OLED Message Description                   | Corrective Action  |
|------------|-----|--|--|
| 5C-0b5     | 12  | Communications Fault                       | Communications lost with PC or remote keypad. Check the cables and connections to external devices.  |
| FLt-dc     | 13  | Excessive DC ripple                        | The DC Bus Ripple Voltage level can be displayed in parameter P0-16. A historical log is stored at 20ms intervals prior to a trip in parameter P0-37. Check all three supply phases are present and within the 3% supply voltage level imbalance tolerance. Reduce the motor load. If the fault persists, contact your local Invertek Drives Sales Partner.  |
| P-La55     | 14  | Input phase loss                           | Drive intended for use with a 3 phase supply, one input phase has been disconnected or lost.   |
| h 0-1      | 15  | Instantaneous over current on drive output | Refer to fault 3 above.  |
| th-FLt     | 16  | Faulty thermistor on heatsink              | Refer to your Invertek Sales Partner.  |
| dAtA-F     | 17  | Internal memory fault                      | Parameters not saved, defaults reloaded. Try again. If problem recurs, refer to your IDL Authorised Distributor.   |
| 4-20F      | 18  | 4-20mA Signal Lost                         | The reference signal on Analog Input 1 or 2 (Terminals 6 or 10) has dropped below the minimum threshold of 3mA. Check the signal source and wiring to the Optidrive terminals.   |
| dAtA-E     | 19  | Internal memory fault                      | Parameters not saved, defaults reloaded. Try again. If problem recurs, refer to your IDL Authorised Distributor.   |
| U-dEF      | 20  | User Parameter Default                     | User Parameter defaults have been loaded. Press the Stop key.  |
| F-Ptc      | 21  | Motor PTC Over Temperature                 | The connected motor PTC device has caused the drive to trip.   |
| FAn-F      | 22  | Cooling Fan Fault                          | Check and if necessary, replace the drive internal cooling fan.  |
| 0-hERt     | 23  | Ambient Temperature High                   | The measured temperature around the drive is above the operating limit of the drive. Ensure the drive internal cooling fan is operating. Ensure that the required space around the drive as shown in sections 3.5. <i>Mechanical Dimensions and Weight</i> to 3.9. <i>Guidelines for Mounting (IP66 Units)</i> has been observed, and that the cooling airflow path to and from the drive is not restricted. Increase the cooling airflow to the drive. Reduce the effective switching frequency setting in parameter P2-24. Reduce the load on the motor / drive. |
| 0-tor9     | 24  | Maximum Torque Limit Exceeded              | The output torque limit has exceeded the drive capacity or trip threshold. Reduce the motor load, or increase the acceleration time.   |
| U-tor9     | 25  | Output Torque Too Low                      | Active only when hoist brake control is enabled P2-18 = 8. The torque developed prior to releasing the motor holding brake is below the preset threshold. Contact your local Invertek Sales Partner for further information on using the Optidrive P2 in hoist applications.   |
| OUT-F      | 26  | Drive output fault                         | Drive output fault.  |
| Sto-F      | 29  | Internal STO circuit Error                 | Refer to your Invertek Sales Partner.  |
| Enc-01     | 30  | Encoder Feedback Fault                     | Encoder communication /data loss.  |
| SP-Err     | 31  | Speed Error                                | Speed Error. The error between the measured encoder feedback speed or the estimated rotor speed is greater than the pre-set limit allowed. In Hoist Mode Operation, this protection is always active even if no encoder is fitted. The motor speed deviates from the intended motor speed by an error greater than that set in the limit parameter P6-07.  |
| Enc-03     | 32  | Encoder Feedback Fault                     | Incorrect Encoder PPR count set in parameter P6-06.  |
| Enc-04     | 33  | Encoder Feedback Fault                     | Encoder Channel A Fault.   |
| Enc-05     | 34  | Encoder Feedback Fault                     | Encoder Channel B Fault.   |
| Enc-06     | 35  | Encoder Feedback Fault                     | Encoder Channels A & B Fault.  |
| AtF-01     | 40  | Autotune Failed                            | Measured motor stator resistance varies between phases. Ensure the motor is correctly connected and free from faults. Check the windings for correct resistance and balance.   |
| AtF-02     | 41  |  | Measured motor stator resistance is too large. Ensure the motor is correctly connected and free from faults. Check that the power rating corresponds to the power rating of the connected drive.   |
| AtF-03     | 42  |  | Measured motor inductance is too low. Ensure the motor is correctly connected and free from faults.  |
| AtF-04     | 43  |  | Measured motor inductance is too large. Ensure the motor is correctly connected and free from faults. Check that the power rating corresponds to the power rating of the connected drive.  |
| AtF-05     | 44  |  | Measured motor parameters are not convergent. Ensure the motor is correctly connected and free from faults. Check that the power rating corresponds to the power rating of the connected drive.  |

| <b>Fault Code</b> | <b>No.</b> | <b>OLED Message Description</b>    | <b>Corrective Action</b>   |
|-------------------|------------|------------------------------------|--|
| <i>Ph-SE9</i>     | 45         | Incorrect Supply Phase Sequence    | Applies to Frame Size 8 drives only, indicates that the incoming power supply phase sequence is incorrect. Any 2 phases may be swapped.  |
| <i>Out-Ph</i>     | 49         | Output Phase Loss                  | One of the motor output phases is not connected to the drive.  |
| <i>Sc-F01</i>     | 50         | Modbus Comms fault                 | A valid Modbus telegram has not been received within the watchdog time limit set in P5-05.<br>Check the network master / PLC is still operating.<br>Check the connection cables.<br>Increase the value of P5-05 to a suitable level.   |
| <i>Sc-F02</i>     | 51         | CAN Open comms trip                | A valid CAN open telegram has not been received within the watchdog time limit set in P5-05.<br>Check the network master / PLC is still operating.<br>Check the connection cables.<br>Increase the value of P5-05 to a suitable level. |
| <i>Sc-F03</i>     | 52         | Communications Option Module Fault | Internal communication to the inserted Communication Option Module has been lost.<br>Check the module is correctly inserted.   |
| <i>Sc-F04</i>     | 53         | IO card comms trip                 | Internal communication to the inserted Option Module has been lost.<br>Check the module is correctly inserted.   |



82-P2MAN-IN\_V3.02