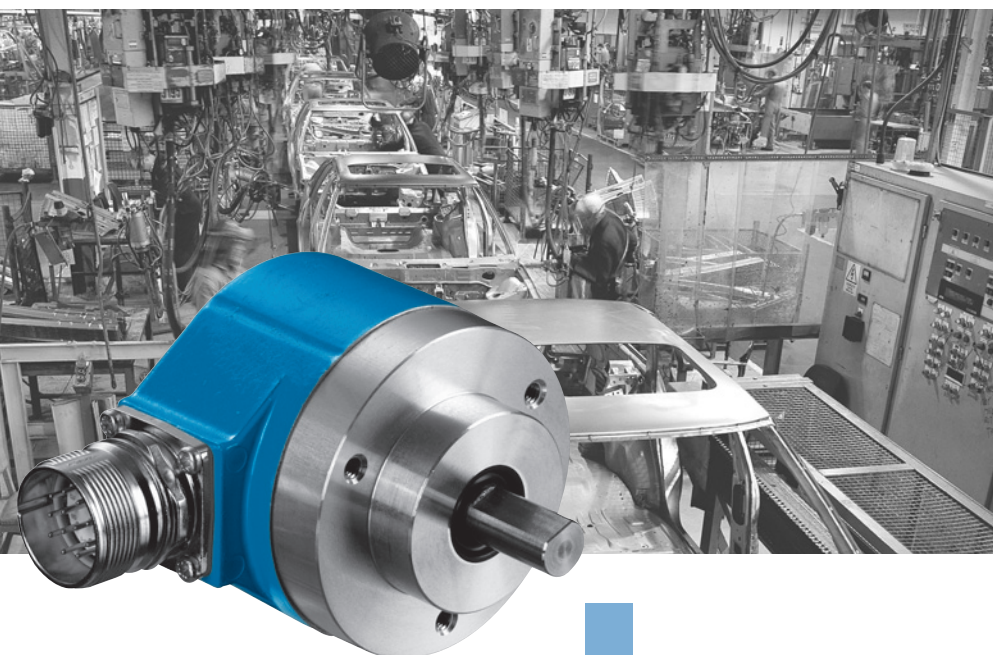



DGS60, DGS65 and DGS66: Incremental Encoders for rough environmental conditions



Select your individual encoder!
Possible product variants:
6 and 10 mm solid shafts with servo flange or face mount flange, through or blind hollow shafts with connector or cable outlet, TTL or HTL interface.

Thanks to this wide variety of products, there are numerous possible uses, for example in:

- machine tools
- textile machines
- woodworking machines
- packaging machines

	Number of lines 100 to 10,000
Incremental Encoder	

Incremental encoders in the DGS60, DGS65 and DGS66 series are in use world-wide under the toughest environmental conditions.

The rugged construction – up to IP 67 degree protection – and the individual adaptation of the design to the requirements of the user are the outstanding features of this series.

Resolutions up to 10,000 lines are available.

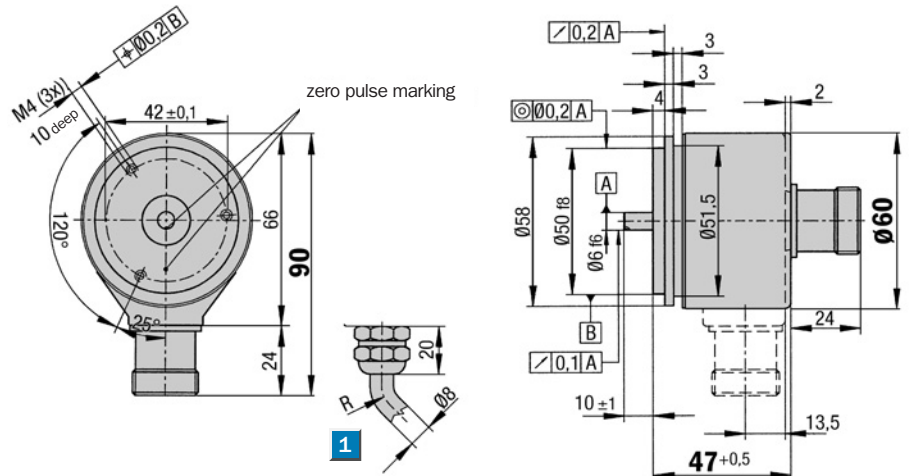


Number of lines
100 to 10,000

Incremental Encoder

- Servo or face mount flange
- Connector or cable outlet
- Protection class up to IP 67
- Electrical Interfaces
TTL and HTL

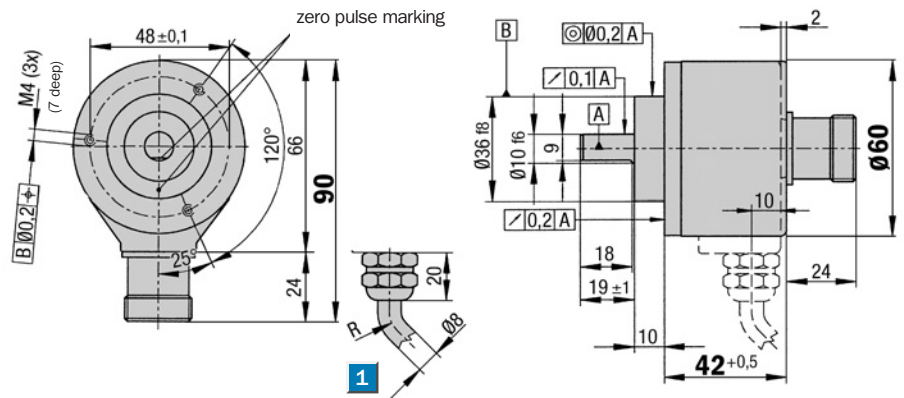
Dimensional drawing servo flange



1 R = bending radius min. 40 mm

General tolerances according to DIN ISO 2768-mk

Dimensional drawing face mount flange

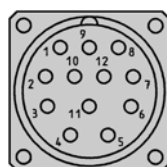


1 R = bending radius min. 40 mm

General tolerances according to DIN ISO 2768-mk

PIN and wire allocation/cable 11 core

PIN	Signal HTL	Signal TTL	Core colour (cable outlet)	Explanation
1	N. C.	\bar{B}	black	Signal line
2	N. C.	Sense +	grey	Connected internally to U_s
3	Z	Z	lilac	Signal line
4	N. C.	\bar{Z}	yellow	Signal line
5	A	A	white	Signal line
6	N. C.	\bar{A}	brown	Signal line
7	N. C.	N. C.	orange	N. C.
8	B	B	pink	Signal line
9	Screen	Screen		Housing potential
10	GND	GND	blue	Ground connection
11	N. C.	Sense -	green	Connected internally to ground
12	U_s	U_s	red	Power supply ¹⁾



View of the connector M23 fitted to the encoder body

¹⁾ Potential free to housing

N. C. =
Not Connected



Accessories

- Connection systems
- Mounting systems

Technical Data to DIN 32878		DGS60		Flange type							
		servo	face m.								
Solid shaft	10 mm										
	6 mm										
Number of lines (Z) per revolution	00100 to 10,000, see order info										
Electrical Interface	TTL/RS 422, 6-channel										
	HTL/push-pull, 3-channel (A, B, Z)										
Mass ⁴⁾	Approx. 0.3 kg										
Moment of inertia of the rotor											
Servo flange	13 gcm ²										
Face mount flange	25 gcm ²										
Measuring step	90°/number of lines										
Reference signal											
Number	1										
Position	90° electr. & logically interlocked with A+B										
Error limits											
100 ≤ Z < 1250	45/Z + 0.054°										
1250 < Z ≤ 10000	45/Z + 0.039°										
Measuring step deviation	45/Z °										
Max. output frequency											
TTL	300 kHz (600 at > 5000 lines)										
HTL	200 kHz										
Max. operating speed ²⁾											
with shaft seal	6,000 min ⁻¹										
without shaft seal	10,000 min ⁻¹										
Max. angular acceleration	5 x 10 ⁵ rad/s ²										
Operating torque											
with shaft seal	1 Ncm										
without shaft seal	0.1 Ncm										
Start up torque											
with shaft seal	1.5 Ncm										
without shaft seal	0.2 Ncm										
Permissible shaft loading											
Servo flange radial/axial	20 N/10 N										
Face mount flange radial/axial	40 N/20 N										
Bearing lifetime	3.6 x 10 ¹⁰ revolutions										
Working temperature range	- 20 ... + 85 °C										
Storage temperature range	- 30 ... + 85 °C										
Permissible relative humidity ³⁾	90 %										
EMC ⁴⁾											
Resistance											
to shocks ⁵⁾	30/11 g/ms										
to vibration ⁶⁾	20/10 ... 2000 g/Hz										
Protection class acc. IEC 60529											
Connector outlet ⁷⁾	IP 67										
Cable outlet	IP 65										
Operating voltage range											
Load current TTL/RS 422, 4 ... 6 V	Max. 20 mA										
TTL/RS 422, 10 ... 30 V	Max. 20 mA										
HTL/push-pull, 10 ... 30 V	Max. 60 mA										
Operating current range at no load											
at 24 V	100 mA										
at 5 V	120 mA										

⁴⁾ For an encoder with connector outlet

³⁾ Condensation not permitted

⁵⁾ To DIN EN 60068-2-27

²⁾ At speeds > 6000 rpm the shaft seal must be removed

⁴⁾ To DIN EN 61000-6-2 and DIN EN 61000-6-3

⁶⁾ To DIN EN 60068-2-6

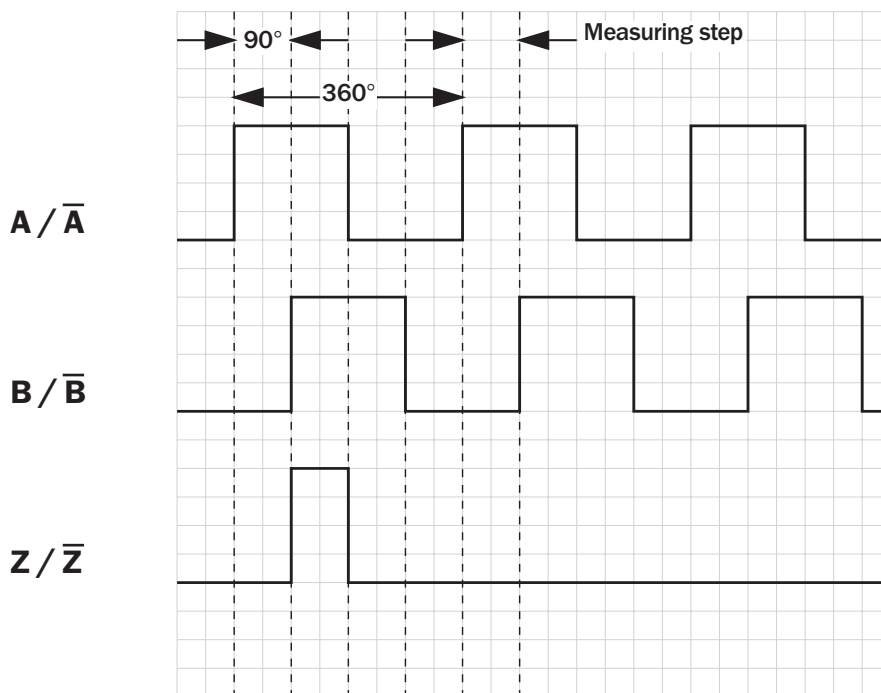
⁷⁾ With mating connector fitted

Number of lines
100 to 10,000

Incremental Encoder

- Servo or face mount flange
- Connector or cable outlet
- Protection class up to IP 67
- Electrical Interfaces
TTL and HTL

Incremental pulse diagram

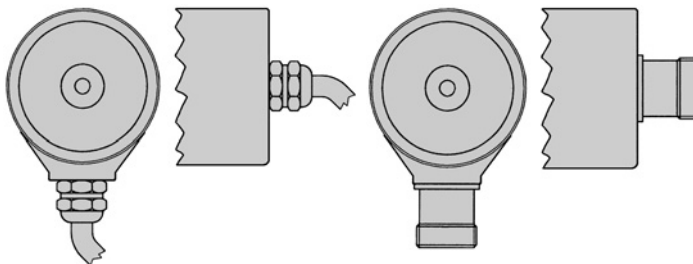


Electrical interfaces

Supply voltage	4 ... 6 V	10 ... 30 V	10 ... 30 V
Interfaces/drivers	TTL (RS 422)	TTL (RS 422)	HTL (push-pull)

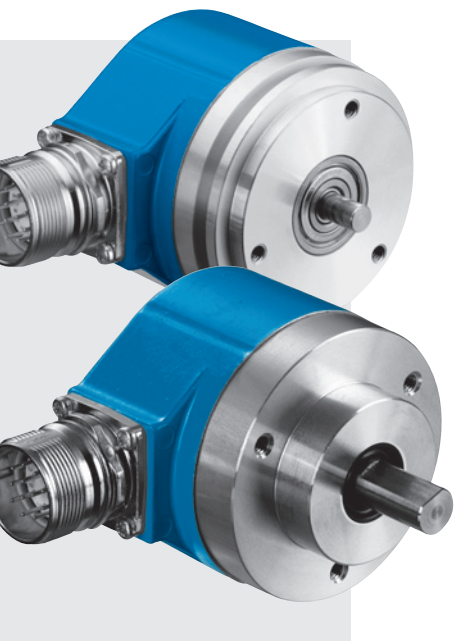
Connection type

Cable radial	Cable axial	Connector radial	Connector axial
--------------	-------------	------------------	-----------------



Accessories

Connection systems
Mounting systems



Order information

Incremental Encoder DGS60, solid shaft

Point 1	Point 2	Point 3	Point 4	Point 5	Point 6	Point 7	Point 8	Point 9	Point 10	Point 11	Point 12	Point 13	Point 14
D	G	S	6	0	-								

Electrical interface	Mechanical interface	Connection type	Number of lines
4 ... 6 V, TTL (RS 422) = A	Servo flange, shaft 6 mm = 1	Connector M23, 12 pin, radial = A	Always 5 characters in clear text 1
10 ... 30 V, TTL (RS 422) = C	Face mount flange, shaft 10 mm = 4	Connector M23, 12 pin, axial = B	
10 ... 30 V, HTL (push-pull) = G		Cable 11 core, radial 1.5 m = K	
		Cable 11 core, radial 3 m = L	
		Cable 11 core, radial 5 m = M	
		Cable 11 core, axial 1.5 m = R	
		Cable 11 core, axial 3 m = S	
		Cable 11 core, axial 5 m = T	

1 Number of lines (Z) per revolution

00100	00250	00500	00720	01024	02000	04000	07200
00125	00256	00512	00750	01200	02048	04096	08000
00150	00300	00570	00800	01250	02500	04500	08192
00160	00314	00600	00900	01500	03000	05000	09000
00180	00360	00625	01000	01800	03600	06000	10000
00200	00400	00700					

Order example: Incremental Encoder DGS60

4 ... 6 V, TTL; servo flange; connector M23, 12 pin, radial; number of lines: 360


Point 1	Point 2	Point 3	Point 4	Point 5	Point 6	Point 7	Point 8	Point 9	Point 10	Point 11	Point 12	Point 13	Point 14
D	G	S	6	0	-	A	1	A	0	0	3	6	0

Please enter your individual encoder here

Point 1	Point 2	Point 3	Point 4	Point 5	Point 6	Point 7	Point 8	Point 9	Point 10	Point 11	Point 12	Point 13	Point 14
D	G	S	6	0	-								

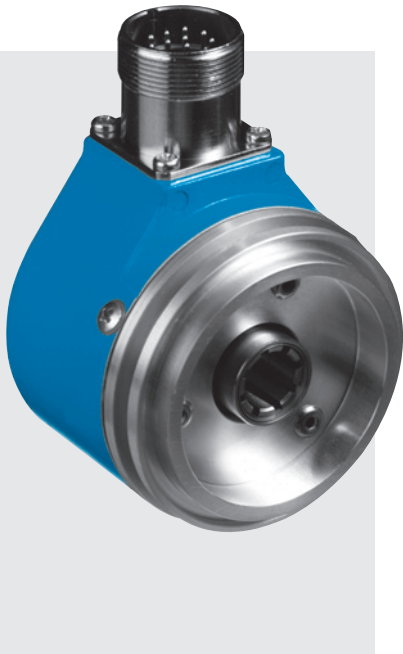
Point 1	Point 2	Point 3	Point 4	Point 5	Point 6	Point 7	Point 8	Point 9	Point 10	Point 11	Point 12	Point 13	Point 14
D	G	S	6	0	-								

Point 1	Point 2	Point 3	Point 4	Point 5	Point 6	Point 7	Point 8	Point 9	Point 10	Point 11	Point 12	Point 13	Point 14
D	G	S	6	0	-								

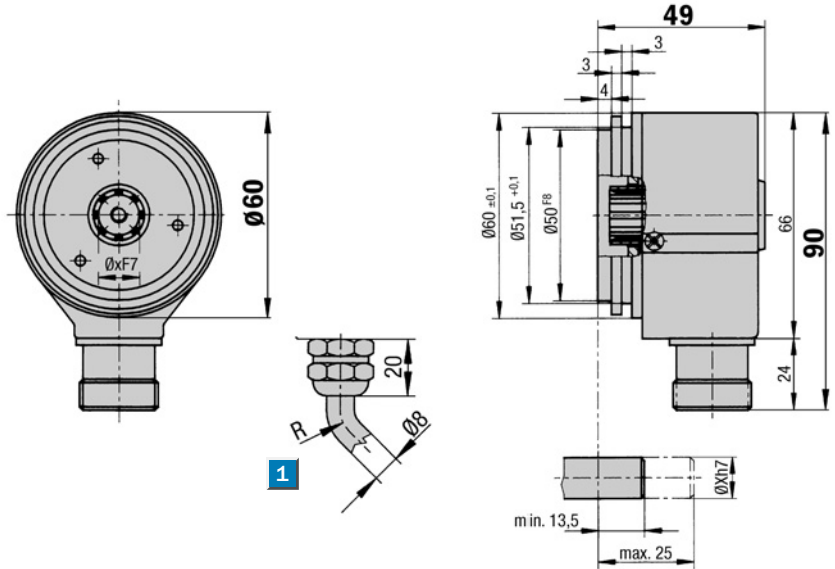
 **Number of lines**
100 to 10,000

Incremental Encoder

- Collets for shaft diameter 6, 8, 10, 11, 12 mm and 3/8"
- Connector or cable outlet
- Electrical Interfaces
TTL and HTL



Dimensional drawing blind hollow shaft

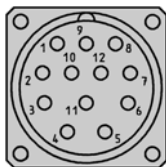


1 R = bending radius min. 40 mm

General tolerances according to DIN ISO 2768-mk

PIN and wire allocation/cable 11 core

PIN	Signal HTL	Signal TTL	Core colour (cable outlet)	Explanation
1	N. C.	\bar{B}	black	Signal line
2	N. C.	Sense +	grey	Connected internally to U_s
3	Z	Z	lilac	Signal line
4	N. C.	\bar{Z}	yellow	Signal line
5	A	A	white	Signal line
6	N. C.	\bar{A}	brown	Signal line
7	N. C.	N. C.	orange	N. C.
8	B	B	pink	Signal line
9	Screen	Screen		Housing potential
10	GND	GND	blue	Ground connection
11	N. C.	Sense -	green	Connected internally to ground
12	U_s	U_s	red	Power supply ¹⁾



View of the connector M23 fitted to the encoder body

¹⁾ Potential free to housing
N. C. =
Not Connected



Accessories

- Connection systems
- Mounting systems
- Collets

Technical Data to DIN 32878		DGS65	Flange type											
			blind											
Hollow shaft diameter	6, 8, 10, 11, 12 mm and 3/8"													
Number of lines (Z) per revolution	00100 to 10,000, see order info													
Attention: number of lines > 5000	Only with TTL 4...6 V													
Electrical Interface	TTL/RS 422, 6-channel													
	HTL/push-pull, 3-channel (A, B, Z)													
Mass ¹⁾	Approx. 0.4 kg													
Moment of inertia of the rotor	25 gcm ²													
Measuring step	90°/number of lines													
Reference signal														
Number	1													
Position	90° electr. & logically interlocked with A+B													
Error limits														
100 ≤ Z < 1250	45/Z + 0.054°													
1250 < Z ≤ 10000	45/Z + 0.039°													
Measuring step deviation	45/Z °													
Max. output frequency														
TTL	300 kHz (600 at > 5000 lines)													
HTL	200 kHz													
Max. operating speed	6,000 min ⁻¹													
Max. angular acceleration	5 x 10 ⁵ rad/s ²													
Operating torque	0.1 Ncm													
Start up torque	0.3 Ncm													
Permissible shaft movement														
static	radial/axial	± 0.5 mm/± 0.5 mm												
dynamic	radial/axial	± 0.1 mm/± 0.2 mm												
Angular movement at right angles to the axis														
static	34 x 10 ⁻³ mm													
dynamic	17 x 10 ⁻³ mm													
Bearing lifetime	3.6 x 10 ¹⁰ revolutions													
Working temperature range	- 20 ... + 85 °C													
Storage temperature range	- 30 ... + 85 °C													
Permissible relative humidity ²⁾	90 %													
EMC ³⁾														
Resistance														
to shocks ⁴⁾	30/11 g/ms													
to vibration ⁵⁾	20/10 ... 2000 g/Hz													
Protection class acc. IEC 60529														
Connector outlet ⁶⁾	IP 65													
Cable outlet	IP 66													
Operating voltage range														
Load current TTL/RS 422, 4 ... 6 V	Max. 20 mA													
	TTL/RS 422, 10 ... 30 V	Max. 20 mA												
	HTL/push-pull, 10 ... 30 V	Max. 60 mA												
Operating current range at no load														
at 24 V	100 mA													
at 5 V	120 mA													

¹⁾ For an encoder with connector outlet


²⁾ Condensation not permitted

³⁾ To DIN EN 61000-6-2 and DIN EN 61000-6-3

⁴⁾ To DIN EN 60068-2-27

⁵⁾ To DIN EN 60068-2-6

⁶⁾ With mating connector fitted

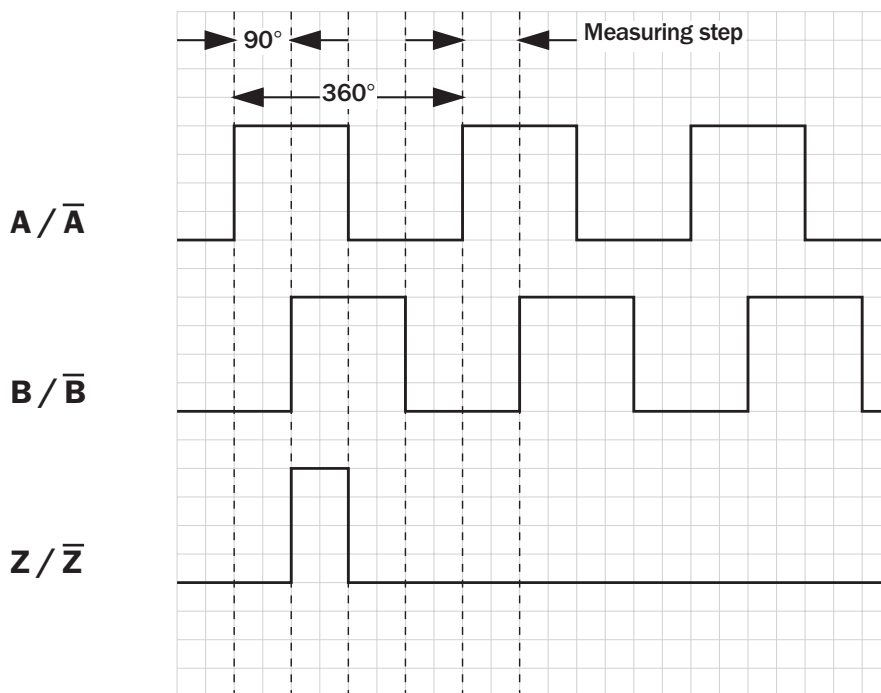
 **Number of lines**
100 to 10,000

Incremental Encoder

- Collets for shaft diameter 6, 8, 10, 11, 12 mm and 3/8"
- Connector or cable outlet
- Electrical Interfaces
TTL and HTL



Incremental pulse diagram

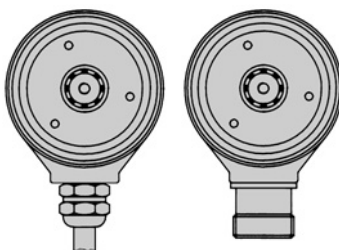


Electrical interfaces

Supply voltage	4 ... 6 V	10 ... 30 V	10 ... 30 V
Interfaces/drivers	TTL (RS 422)	TTL (RS 422)	HTL (push-pull)

Connection type

- Cable radial Connector radial



Accessories

- Connection systems
- Mounting systems
- Collets



Order information

Incremental Encoder DGS65, blind hollow shaft

Point 1	Point 2	Point 3	Point 4	Point 5	Point 6	Point 7	Point 8	Point 9	Point 10	Point 11	Point 12	Point 13	Point 14
D	G	S	6	5	-								

Electrical interface	Mechanical interface	Connection type	Number of lines
4 ... 6 V, TTL (RS 422) = A	Blind hollow shaft ¹⁾ = A	Connector M23, 12 pin, radial = A	Always 5 characters in clear text 1
10 ... 30 V, TTL (RS 422) = C	¹⁾ Collets for 6, 8, 10, 11, 12 mm and 3/8" as accessories, separate order item (see below).	Cable 11 core, radial 1.5 m = K	
10 ... 30 V, HTL (push-pull) = G		Cable 11 core, radial 3 m = L	
		Cable 11 core, radial 5 m = M	

1 Number of lines (Z) per revolution

00100	00244	00336	00600	00785	01024	02000	04096
00125	00250	00360	00625	00800	01200	02048	05000
00150	00256	00400	00700	00900	01250	02500	07200 ²⁾
00160	00300	00500	00720	00938	01375	03000	08192 ²⁾
00180	00308	00512	00750	01000	01500	03600	10000 ²⁾
00200	00314	00570	00768	01005	01800	04000	

²⁾ Only possible with interface 4 ... 6 V, TTL (RS 422) = A

Order example: Incremental Encoder DGS65

4 ... 6 V, TTL; blind hollow shaft; connector M23, 12 pin, radial; number of lines: 360

Point 1	Point 2	Point 3	Point 4	Point 5	Point 6	Point 7	Point 8	Point 9	Point 10	Point 11	Point 12	Point 13	Point 14
D	G	S	6	5	-	A	A	A	0	0	3	6	0

Please enter your individual encoder here

Point 1	Point 2	Point 3	Point 4	Point 5	Point 6	Point 7	Point 8	Point 9	Point 10	Point 11	Point 12	Point 13	Point 14
D	G	S	6	5	-								

Point 1	Point 2	Point 3	Point 4	Point 5	Point 6	Point 7	Point 8	Point 9	Point 10	Point 11	Point 12	Point 13	Point 14
D	G	S	6	5	-								

Point 1	Point 2	Point 3	Point 4	Point 5	Point 6	Point 7	Point 8	Point 9	Point 10	Point 11	Point 12	Point 13	Point 14
D	G	S	6	5	-								

Collets for DGS65 Encoder with blind hollow shaft

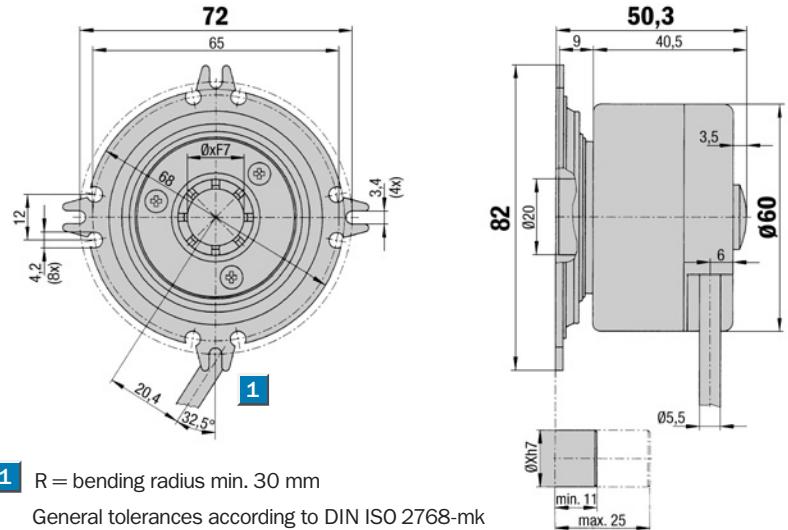
Type	Part no.	Shaft diameter
SPZ-006-DD65-A	2029181	6 mm
SPZ-008-DD65-A	2029182	8 mm
SPZ-010-DD65-A	2029183	10 mm
SPZ-011-DD65-A	2019043	11 mm
SPZ-012-DD65-A	2029184	12 mm
SPZ-3E8-DD65-A	2039227	3/8 "

Number of lines
100 to 10,000

Incremental Encoder

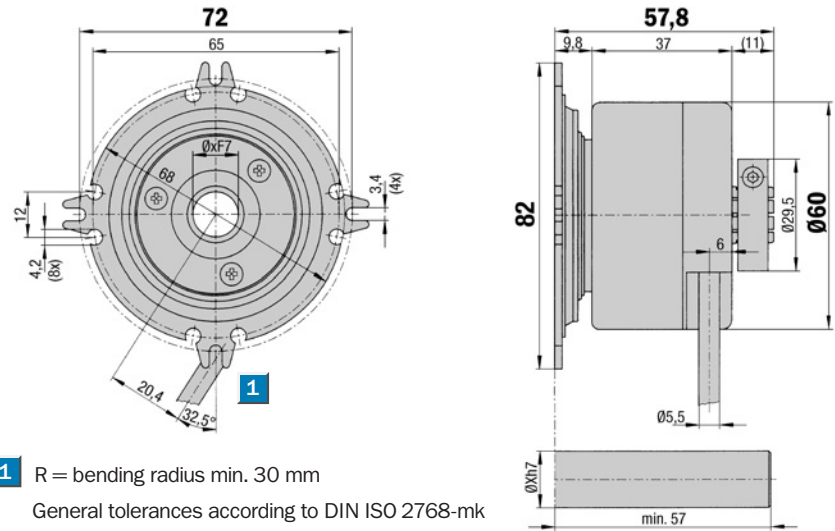
- 100 to 10,000 number of lines per revolution
- Electrical Interfaces TTL and HTL

Dimensional drawing blind hollow shaft



1 R = bending radius min. 30 mm
General tolerances according to DIN ISO 2768-mk

Dimensional drawing through hollow shaft

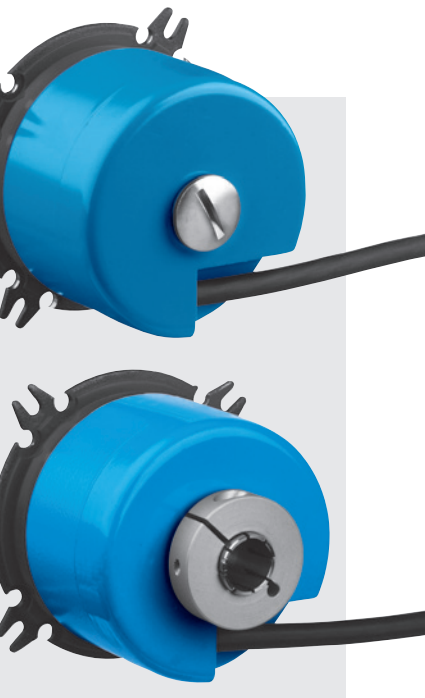


1 R = bending radius min. 30 mm
General tolerances according to DIN ISO 2768-mk

PIN and wire allocation/cable 8 core (explanation see page 14)

Core colour	Explanation	Core colour	Explanation
HTL		TTL	
black	N. C.	black	\bar{B}
lilac	Z	lilac	Z
yellow	N. C.	yellow	\bar{Z}
white	A	white	A
brown	N. C.	brown	\bar{A}
pink	B	pink	B
Screen	Screen	Screen	Screen
blue	Ground connection	blue	Ground connection
red	Power supply ¹⁾	red	Power supply ¹⁾

¹⁾ Potential free to housing
N. C. = Not Connected




Accessories

Connection systems
Mounting systems
Collets

Technical Data to DIN 32878		DGS66	Flange type							
			blind	through						
Hollow shaft diameter	6, 8, 9, 10, 12, 14 and 15 mm, 1/2"									
	6, 8, 10, 12, 14 mm, 3/8" and 1/2"									
Number of lines (Z) per revolution	00100 to 10,000, see order info									
Attention: number of lines > 5000	Only with TTL 4...6V									
Electrical Interface	TTL/RS 422, 6-channel									
	HTL/push-pull, 3-channel (A, B, Z)									
Mass ¹⁾	Approx. 0.3 kg									
Moment of inertia of the rotor	45 gcm ²									
Measuring step	90°/number of lines									
Reference signal										
Number	1									
Position	90° electr. & logically interlocked with A+B									
Error limits										
100 ≤ Z < 1250	45/Z + 0.054°									
1250 < Z ≤ 10000	45/Z + 0.039°									
Measuring step deviation	45/Z °									
Max. output frequency										
TTL	300 kHz (600 at > 5000 lines)									
HTL	200 kHz									
Max. operating speed	6,000 min ⁻¹									
Max. angular acceleration	5 x 10 ⁵ rad/s ²									
Operating torque	0.2 Ncm									
Start up torque	0.4 Ncm									
Permissible shaft movement										
static	radial/axial	± 0.1 mm/± 2.0 mm								
dynamic	radial/axial	± 0.05 mm/± 0.2 mm								
Angular movement at right angles to the axis										
static		34 x 10 ⁻³ mm								
dynamic		17 x 10 ⁻³ mm								
Bearing lifetime		3.6 x 10 ¹⁰ revolutions								
Working temperature range		- 20 ... + 85 °C								
Storage temperature range		- 30 ... + 85 °C								
Permissible relative humidity ¹⁾		90 %								
EMC ²⁾										
Resistance										
to shocks ³⁾		30/11 g/ms								
to vibration ⁴⁾		20/10 ... 2000 g/Hz								
Protection class acc. IEC 60529										
Cable outlet		IP 65								
Operating voltage range										
Load current	TTL/RS 422, 4 ... 6 V	Max. 20 mA								
	TTL/RS 422, 10 ... 30 V	Max. 20 mA								
	HTL/push-pull, 10 ... 30 V	Max. 60 mA								
Operating current range at no load										
at 24 V		100 mA								
at 5 V		120 mA								

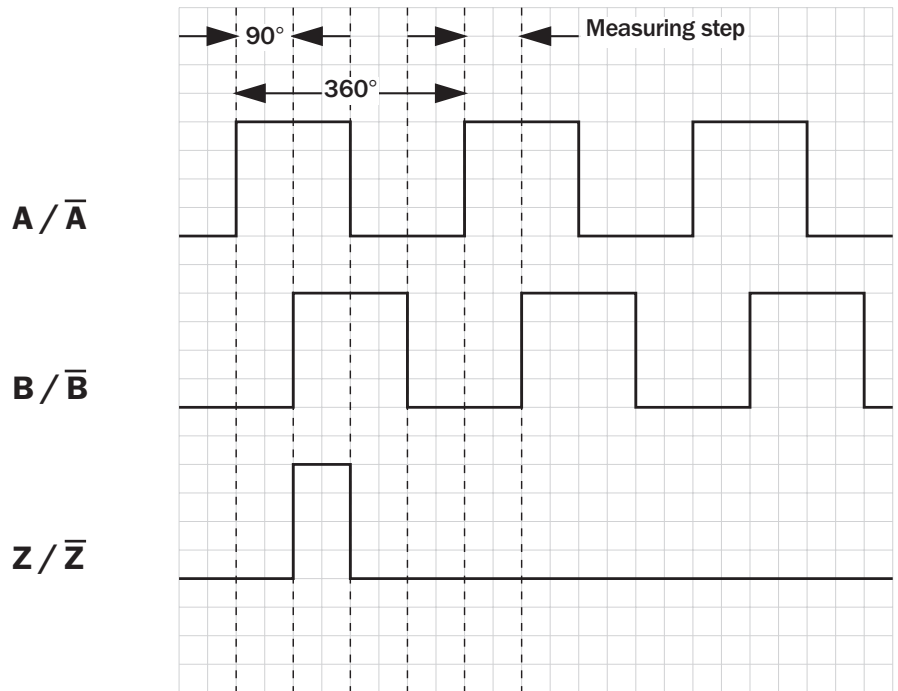
¹⁾ Condensation not permitted³⁾ To DIN EN 60068-2-27²⁾ To DIN EN 61000-6-2
and DIN EN 61000-6-3⁴⁾ To DIN EN 60068-2-6

 **Number of lines**
100 to 10,000

Incremental Encoder

- 100 to 10,000 number of lines per revolution
- Electrical Interfaces
TTL and HTL

Incremental pulse diagram

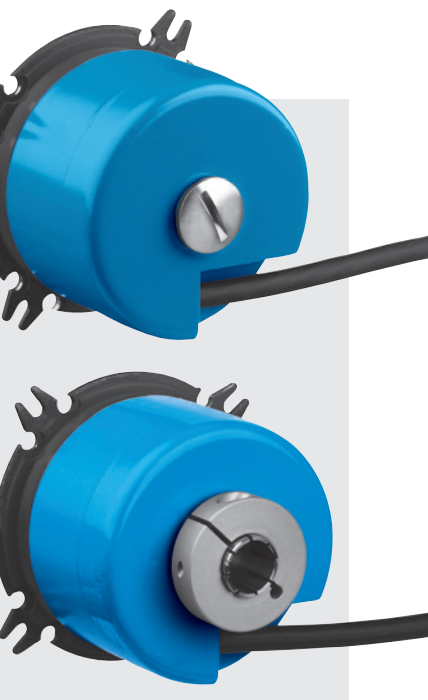
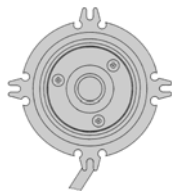


Electrical interfaces

Supply voltage	4 ... 6 V	10 ... 30 V	10 ... 30 V
Interfaces/drivers	TTL (RS 422)	TTL (RS 422)	HTL (push-pull)

Connection type

Cable radial



Accessories

- Connection systems
- Mounting systems
- Collets

Order information

Incremental Encoder DGS66, blind/through hollow shaft

Point 1	Point 2	Point 3	Point 4	Point 5	Point 6	Point 7	Point 8	Point 9	Point 10	Point 11	Point 12	Point 13	Point 14
D	G	S	6	6	-								

Electrical interface	Mechanical interface	Connection type	Number of lines
4 ... 6 V, TTL (RS 422) = A	Blind hollow shaft ¹⁾ = A	Cable 8 core, radial 1.5 m = K	Always 5 characters in clear text 1
10 ... 30 V, TTL (RS 422) = C		Cable 8 core, radial 3 m = L	
10 ... 30 V, HTL (push-pull) = G	Through hollow shaft 6 mm = M	Cable 8 core, radial 5 m = M	
	Through hollow shaft 8 mm = P		
	Through hollow shaft 3/8" = R		
	Through hollow shaft 10 mm = S		
	Through hollow shaft 12 mm = T		
	Through hollow shaft 1/2" = U		
	Through hollow shaft 14 mm = V		

¹⁾ Collets for 6, 8, 10, 12, 14, 15 mm and 1/2" as accessories, separate order item (see below).

1 Number of lines (Z) per revolution with electrical interface 4 ... 6 V, TTL (RS 422) = A

00100	00360	00720	01250	02500	04000	05000	08192
00200	00500	01000	02000	03600	04096	07200	10000
00250	00512	01024	02048				

1 Number of lines (Z) per revolution with the electrical interfaces 10 ... 30 V, TTL (RS 422) = C and 10 ... 30 V, HTL (push-pull) = G

00100	00360	00515	01024	02000	02500	04096	
00250	00500	01000	01250	02048	03600	05000	

Order example Incremental Encoder DGS66

4 ... 6 V, TTL; blind hollow shaft; cable 8 core 1.5 m, radial; number of lines: 360

Point 1	Point 2	Point 3	Point 4	Point 5	Point 6	Point 7	Point 8	Point 9	Point 10	Point 11	Point 12	Point 13	Point 14
D	G	S	6	6	-	A	A	K	0	0	3	6	0

Please enter your individual encoder here

Point 1	Point 2	Point 3	Point 4	Point 5	Point 6	Point 7	Point 8	Point 9	Point 10	Point 11	Point 12	Point 13	Point 14
D	G	S	6	6	-								

Point 1	Point 2	Point 3	Point 4	Point 5	Point 6	Point 7	Point 8	Point 9	Point 10	Point 11	Point 12	Point 13	Point 14
D	G	S	6	6	-								

Point 1	Point 2	Point 3	Point 4	Point 5	Point 6	Point 7	Point 8	Point 9	Point 10	Point 11	Point 12	Point 13	Point 14
D	G	S	6	6	-								

Collets for DGS66 Encoder with blind hollow shaft

Type	Part no.	Shaft diameter
SPZ-006-DD66-A	2029185	6 mm
SPZ-008-DD66-A	2029186	8 mm
SPZ-009-DD66-A	2040980	9 mm
SPZ-010-DD66-A	2029187	10 mm
SPZ-012-DD66-A	2029188	12 mm
SPZ-1E2-DD66-A	2029189	1/2 "
SPZ-014-DD66-A	2029190	14 mm
SPZ-015-DD66-A	2029191	15 mm

Dimensional drawings and order information

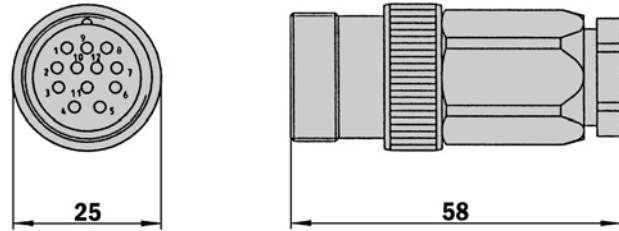
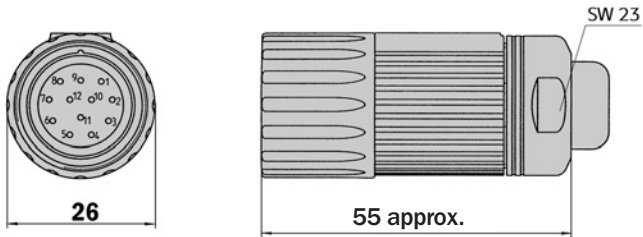
Screw-in system M23, 12 pin

Cable onnector M23 female, 12 pin, straight, screened

Type	Part no.	Contacts
DOS-2312-G	6027538	12

Cable onnector M23 male, 12 pin, straight, screened

Type	Part no.	Contacts
STE-2312-G	6027537	12



Connector M23 female, 12 pin, straight, cable 12 core, 4 x 2 x 0.25 + 2 x 0.5 + 2 x 0.14 mm² with screening, capable of being dragged, cable diameter 7.8 mm

Type	Part no.	Contacts	Cable length
DOL-2312-G1M5MA3	2029212	12	1.5 m
DOL-2312-G03MMA3	2029213	12	3.0 m
DOL-2312-G05MMA3	2029214	12	5.0 m
DOL-2312-G10MMA3	2029215	12	10.0 m
DOL-2312-G20MMA3	2029216	12	20.0 m
DOL-2312-G30MMA3	2029217	12	30.0 m

Cable 8 core, per meter, 4 x 2 x 0.15 mm² with screening, cable diameter 5.6 mm

Type	Part no.	Cores
LTG-2308-MWENC	6027529	8

Cable 11 core, per meter, 4 x 2 x 0.25 + 2 x 0.5 + 1 x 0.14 mm² with screening, cable diameter 7.5 mm

Type	Part no.	Cores
LTG-2411-MW	6027530	11

Cable 12 core, per meter, 4 x 2 x 0.25 + 2 x 0.5 + 2 x 0.14 mm² with screening, capable of being dragged, cable diameter 7.8 mm

Type	Part no.	Cores	Explanation
LTG-2512-MW	6027531	12	
LTG-2612-MW	6028516	12	Salt water and UV resistant

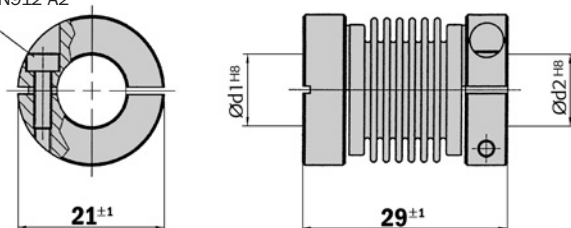
Dimensional drawings and order information

Couplings

Bellows coupling, max. shaft offset radial ± 0.3 mm, axial 0.4 mm, angle ± 4 degrees, torsion spring stiffness 120 Nm/rad, bellows of stainless steel, hubs of aluminium

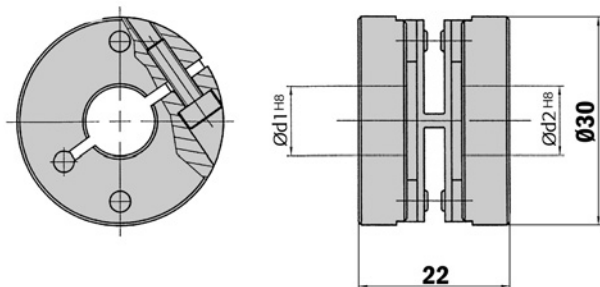
Type	Part no.	Shaft diameter
KUP-0606-B	5312981	6 mm ... 6 mm
KUP-0610-B	5312982	6 mm ... 10 mm
KUP-1010-B	5312983	10 mm ... 10 mm
KUP-1012-B	5312984	10 mm ... 12 mm

Cheese-head screw
M2,5x8 DIN912 A2



Spring-disc coupling, max. shaft offset radial ± 0.3 mm, axial 0.4 mm, angle ± 2.5 degrees, torsion spring stiffness 50 Nm/rad, flange of stainless steel, spring-discs of glass-fibre-reinforced plastic

Type	Part no.	Shaft diameter
KUP-0610-F	5312985	6 mm ... 10 mm
KUP-1010-F	5312986	10 mm ... 10 mm



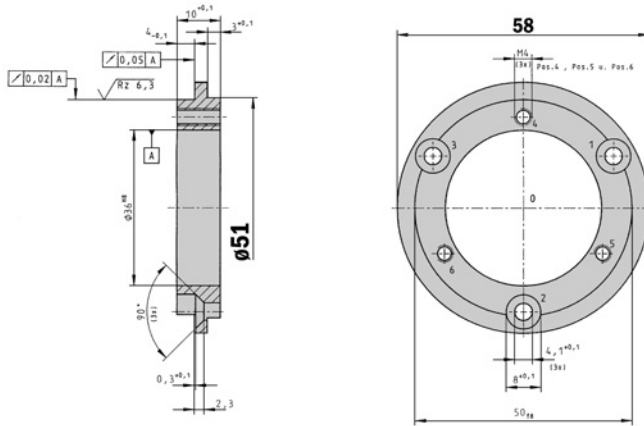
General tolerances according to DIN ISO 2768-mk

Dimensional drawings and order information

Mechanical Adaptors

Adaptor flange of aluminium for face mount flange, spigot 36 mm

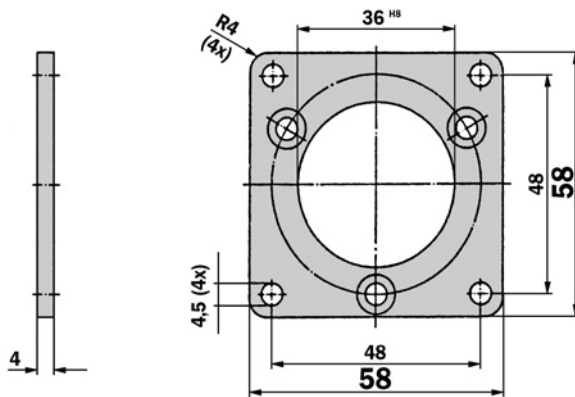
Type	Part no.	Adaption
BEF-FA-036-050	2029160	To 50 mm servo flange



General tolerances according to DIN ISO 2768-mk

Adaptor flange of aluminium for face mount flange, spigot 36 mm

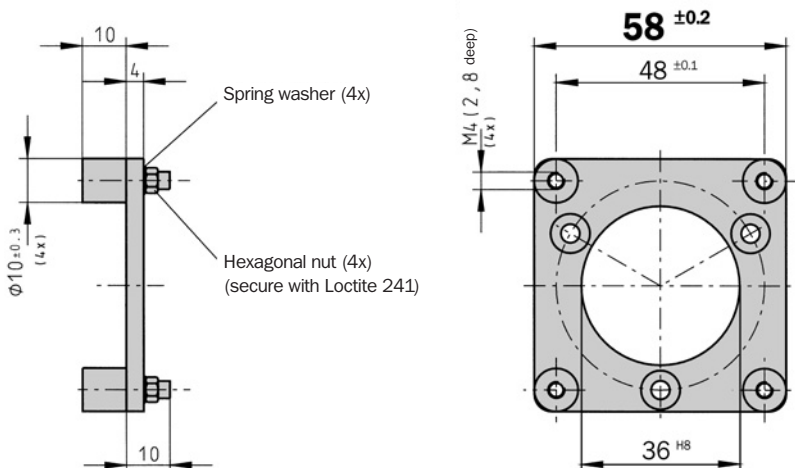
Type	Part no.	Adaption
BEF-FA-036-060REC	2029162	To 60 mm square mounting plate



General tolerances according to DIN ISO 2768-mk

Adaptor flange of aluminium for face mount flange, spigot 36 mm

Type	Part no.	Adaption
BEF-FA-036-060RSA	2029163	To 60 mm square mounting plate with shock absorbers



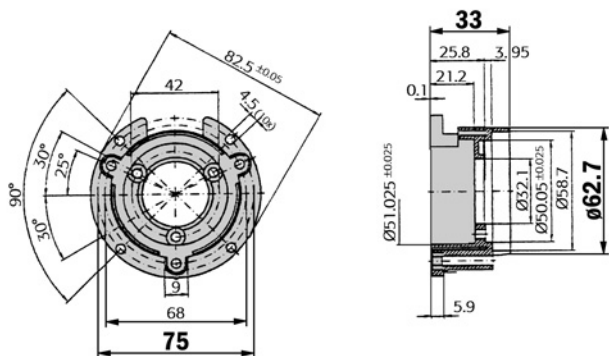
General tolerances according to DIN ISO 2768-mk

Dimensional drawings and order information

Mechanical Adaptors

Mounting bell incl. fixing set for encoder with servo flange

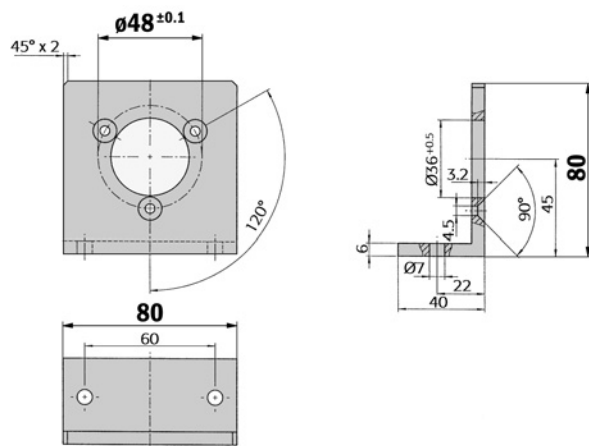
Type	Part no.	Flange spigot
BEF-MG-50	5312987	Diameter 50 mm



General tolerances according to DIN ISO 2768-mk

Mounting angle incl. fixing set for encoder with face mount flange

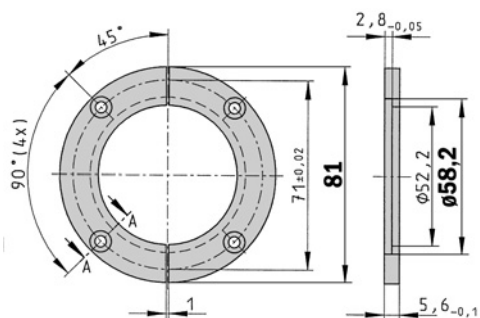
Type	Part no.	Flange spigot
BEF-WF-36	2029164	Diameter 36 mm



General tolerances according to DIN ISO 2768-mk

Servo clamps half ring, Set (comprises 2 pieces) for servo flanges with spigot diameter 50 mm

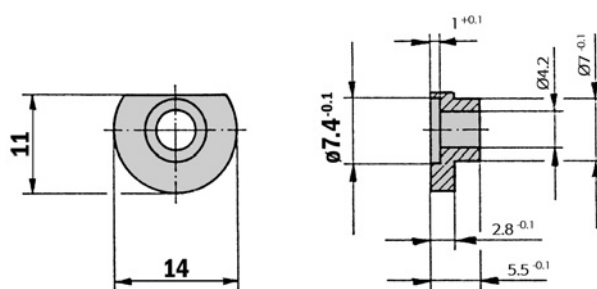
Type	Part no.
BEF-WG-SF050	2029165



General tolerances according to DIN ISO 2768-mk

Servo clamps small, Set (comprises 3 pieces) for servo flanges

Type	Part no.
BEF-WK-SF	2029166



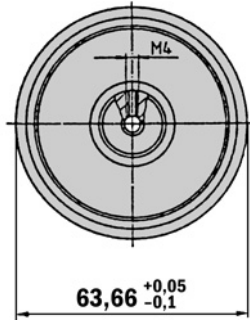
General tolerances according to DIN ISO 2768-mk

Dimensional drawings and order information

Mechanical Adaptors

Measuring wheel for encoder shafts with diameter 10 mm, type material plastic (Hytrel), wheel material plastic with aluminium hub

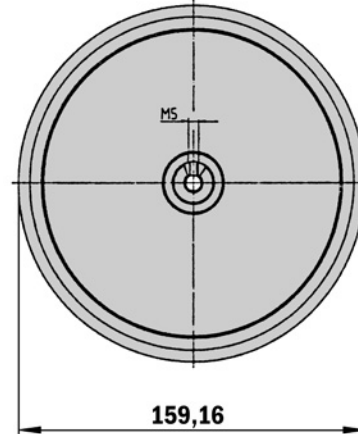
Type	Part no.	Circumference	Surface
BEF-MR-010020	5312988	0.2 m	smooth
BEF-MR-010020G	5318678	0.2 m	knurled



General tolerances according to DIN ISO 2768-mk

Measuring wheel for encoder shafts with diameter 10 mm, type material plastic (Hytrel), wheel material plastic with aluminium hub

Type	Part no.	Circumference	Surface
BEF-MR-010050	5312989	0.5 m	smooth



General tolerances according to DIN ISO 2768-mk

Collets

Collets for DGS65 blind hollow shaft encoder

Type	Part no.	Shaft diameter
SPZ-006-DD65-A	2029181	6 mm
SPZ-008-DD65-A	2029182	8 mm
SPZ-010-DD65-A	2029183	10 mm
SPZ-011-DD65-A	2019043	11 mm
SPZ-012-DD65-A	2029184	12 mm
SPZ-3E8-DD65-A	2039227	$\frac{3}{8}$ "

Collets for DGS66 Encoder with blind hollow shaft

Type	Part no.	Shaft diameter
SPZ-006-DD66-A	2029185	6 mm
SPZ-008-DD66-A	2029186	8 mm
SPZ-009-DD66-A	2040980	9 mm
SPZ-010-DD66-A	2029187	10 mm
SPZ-012-DD66-A	2029188	12 mm
SPZ-1E2-DD66-A	2029189	$\frac{1}{2}$ "
SPZ-014-DD66-A	2029190	14 mm
SPZ-015-DD66-A	2029191	15 mm

Australia

Phone +61 3 9497 4100
1800 33 48 02 – tollfree
E-Mail sales@sick.com.au

Belgium/Luxembourg

Phone +32 (0)2 466 55 66
E-Mail info@sick.be

Brasil

Phone +55 11 5091-4900
E-Mail sac@sick.com.br

Ceská Republika

Phone +420 2 57 91 18 50
E-Mail sick@sick.cz

China

Phone +852-2763 6966
E-Mail ghk@sick.com.hk

Danmark

Phone +45 45 82 64 00
E-Mail sick@sick.dk

Deutschland

Phone +49 (0)2 11 53 01-250
E-Mail info@sick.de

España

Phone +34 93 480 31 00
E-Mail info@sick.es

France

Phone +33 1 64 62 35 00
E-Mail info@sick.fr

Great Britain

Phone +44 (0)1727 831121
E-Mail info@sick.co.uk

India

Phone +91-22-2822 7084
E-Mail info@sick-india.com

Italia

Phone +39 011 79 79 65
E-Mail info@sick.it

Japan

Phone +81 (0)3 3358 1341
E-Mail support@sick.jp

Nederlands

Phone +31 (0)30 229 25 44
E-Mail info@sick.nl

Norge

Phone +47 67 81 50 00
E-Mail austefjord@sick.no

Österreich

Phone +43 (0)22 36 62 28 8-0
E-Mail office@sick.at

Polska

Phone +48 22 837 40 50
E-Mail info@sick.pl

Republic of Korea

Phone +82-2 786 6321/4
E-Mail kang@sickkorea.net

Republika Slovenija

Phone +386 (0)1-47 69 990
E-Mail office@sick.si

Russia

Phone +7 495 775 05 34
E-Mail denis.kesaev@
sickautomation.ru

Schweiz

Phone +41 41 619 29 39
E-Mail contact@sick.ch

Singapore

Phone +65 6744 3732
E-Mail admin@sicksgp.com.sg

Suomi

Phone +358-9-25 15 800
E-Mail sick@sick.fi

Sverige

Phone +46 8 680 64 50
E-Mail info@sick.se

Taiwan

Phone +886 2 2365-6292
E-Mail sickgrc@ms6.hinet.net

Türkiye

Phone +90 216 587 74 00
E-Mail info@sick.com.tr

USA

Phone +1 937-454-1956
E-Mail sales@stegmann.com

More representatives and agencies
in all major industrial nations at
www.sick.com

