

HCNW4502/3

HCPL-0452/0453/4502/4503

Single Channel, High Speed Optocouplers



Data Sheet



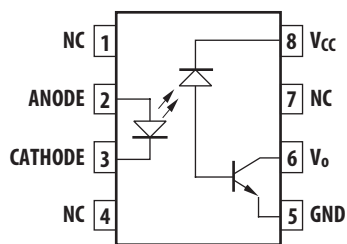
Description

These diode-transistor optocouplers use an insulating layer between a LED and an integrated photodetector to provide electrical insulation between input and output. Separate connections for the photodiode bias and output-transistor collector increase the speed up to a hundred times that of a conventional phototransistor coupler by reducing the base-collector capacitance.

These single channel optocouplers are available in 8-Pin DIP, SO-8 and Widebody package configurations.

The HCPL-4502/4503 and HCNW4502/4503 are designed for high speed TTL/TTL applications. A standard 16 mA TTL sink current through the input LED will provide enough output current for 1 TTL load and a 5.6 kΩ pull-up resistor. CTR for these devices is 19% minimum at $I_F = 16$ mA.

Functional Diagram



TRUTH TABLE
(POSITIVE LOGIC)

| LED | V_o |
|-----|-------|
| ON | LOW |
| OFF | HIGH |

A 0.1 μ F bypass capacitor must be connected between pins 5 and 8.

Features

- 15 kV/ μ s minimum common mode transient immunity at $V_{CM} = 1500$ V
- High speed: 1 Mb/s
- TTL compatible
- Available in 8-Pin DIP, SO-8, widebody packages
- Open collector output
- Guaranteed performance from temperature: 0°C to 70°C
- Safety approval
UL Recognized – 3750 V_{rms} for 1 minute (5000 V_{rms} for 1 minute for HCNW and Option 020 devices) per UL1577
CSA Approved
IEC/EN/DIN EN 60747-5-5 Approved
– $V_{IORM} = 630$ V peak for HCPL-4503#060
– $V_{IORM} = 1414$ V peak for HCNW devices
- Dual channel version available (4534/0534)
- MIL-PRF-38534 hermetic version available (55XX/65XX/4N55)

Applications

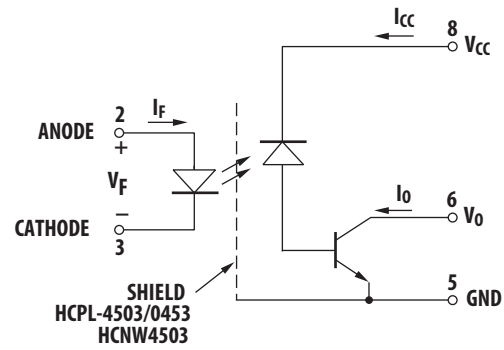
- High voltage insulation
- Video signal isolation
- Power transistor isolation in motor drives
- Line receivers
- Feedback element in switched mode power supplies
- High speed logic ground isolation
– TTL/TTL, TTL/CMOS, TTL/LSTTL
- Replaces pulse transformers
- Replaces slow phototransistor isolators
- Analog signal ground isolation

CAUTION: It is advised that normal static precautions be taken in handling and assembly of this component to prevent damage and/or degradation which may be induced by ESD.

The HCPL-4502, HCPL-0452, and HCNW4502 provide the electrical and switching performance of the 6N136, HCPL-0501, and HCNW136 with increased ESD protection.

The HCPL-4503, HCPL-0453, and HCNW4503 are similar to the HCPL-4502, HCPL-0452, and HCNW4502 optocouplers but have increased common mode transient immunity of 15 kV/ μ s minimum at $V_{CM} = 1500V$ guaranteed.

Schematic



Selection Guide

| Minimum CMR | | 8-Pin DIP (300 Mil) | | Small-Outline SO-8 (400 Mil) | | Widebody Hermetic | | |
|----------------------|--------------|----------------------------|------------------------|------------------------------|------------------------|-----------------------|------------------------|-----------------------------------|
| dV/dt (V/ μ s) | V_{CM} (V) | Current Transfer Ratio (%) | Single Channel Package | Dual Channel Package* | Single Channel Package | Dual Channel Package* | Single Channel Package | Single and Dual Channel Packages* |
| 10 | 1500 | 19 | HCPL-4502 | HCPL-4534 | HCPL-0452 | HCPL-0534 | HCNW4502 | |
| 15,000 | 1500 | 19 | HCPL-4503 | HCPL-4534 | HCPL-0453 | HCPL-0534 | HCNW4503 | |
| 1,000 | 10 | 9 | | | | | | HCPL-55XX HCPL-65XX 4N55 |

*Technical data for these products are on separate Avago publications.

Ordering Information

HCPL-4502 and HCPL-4503, HCPL-0452, HCPL-0453 are UL Recognized with 3750 V_{rms} for 1 minute per UL1577.

HCNW4502 and HCNW4503 are UL Recognized with 5000 V_{rms} for 1 minute per UL1577. All devices listed above are approved under CSA Component Acceptance Notice #5, File CA 88324.

| Part number | Option | | Package | Surface Mount | Gull Wing | Tape & Reel | UL 5000 V _{rms} / 1 Minute rating | IEC/EN/DIN EN 60747-5-5 | Quantity |
|------------------------|----------------|--------------------|-----------------------------|---------------|-----------|-------------|--|-------------------------|---------------|
| | RoHS Compliant | Non RoHS Compliant | | | | | | | |
| HCPL-4502 HCPL-4503 | -000E | No option | 300mil DIP-8 | | | | | | 50 per tube |
| | -300E | #300 | | X | X | | | | 50 per tube |
| | -500E | #500 | | X | X | X | | | 1000 per reel |
| | -020E | #020 | | | | | X | | 50 per tube |
| | -320E | #320 | | X | X | | X | | 50 per tube |
| | -520E | #520 | | X | X | X | X | | 1000 per reel |
| | -060E | #060 | | | | | | X | 50 per tube |
| | -360E | #360 | | X | X | | | X | 50 per tube |
| | -560E | #560 | | X | X | X | | X | 1000 per reel |
| HCPL-0452 HCPL-0453 | -000E | No option | SO-8 | | | | | | 100 per tube |
| | -500E | #500 | | X | X | X | | | 1500 per reel |
| | -060E | #060 | | | | | | X | 100 per tube |
| | -560E | #560 | | X | X | X | | X | 1500 per reel |
| HCNW4502 HCNW4503 | -000E | No option | 400mil Widebody DIP-8 | | | | X | X | 42 per tube |
| | -300E | #300 | | X | X | | X | X | 42 per tube |
| | -500E | #500 | | X | X | X | X | X | 750 per reel |

To order, choose a part number from the part number column and combine with the desired option from the option column to form an order entry.

Example 1:

HCPL-4502-560E to order product of 300mil DIP Gull Wing Surface Mount package in Tape and Reel packaging with IEC/EN/DIN EN 60747-5-5 Safety Approval in RoHS compliant.

Example 2:

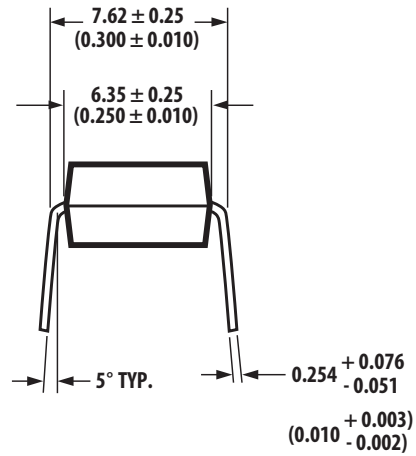
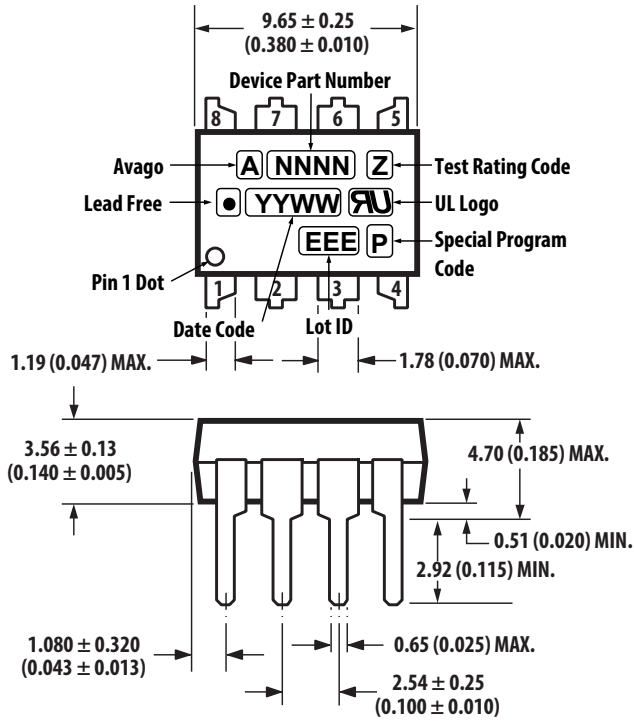
HCPL-4502 to order product of 300mil DIP package in tube packaging and non RoHS compliant.

Option datasheets are available. Contact your Avago sales representative or authorized distributor for information.

Remarks: The notation '#XXX' is used for existing products, while (new) products launched since 15th July 2001 and RoHS compliant option will use '-XXXE'.

Package Outline Drawings

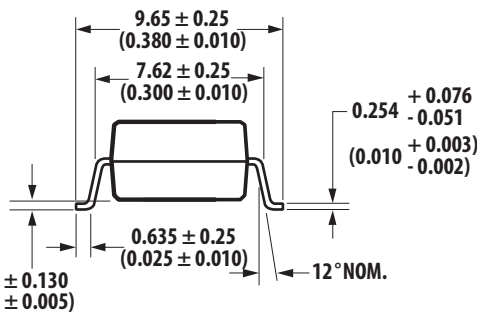
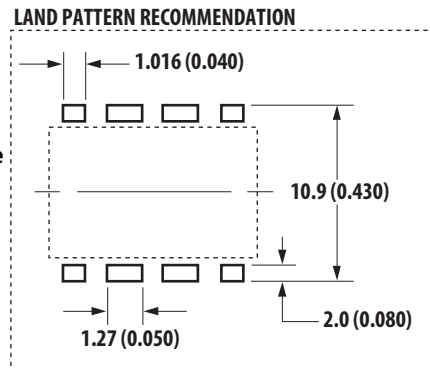
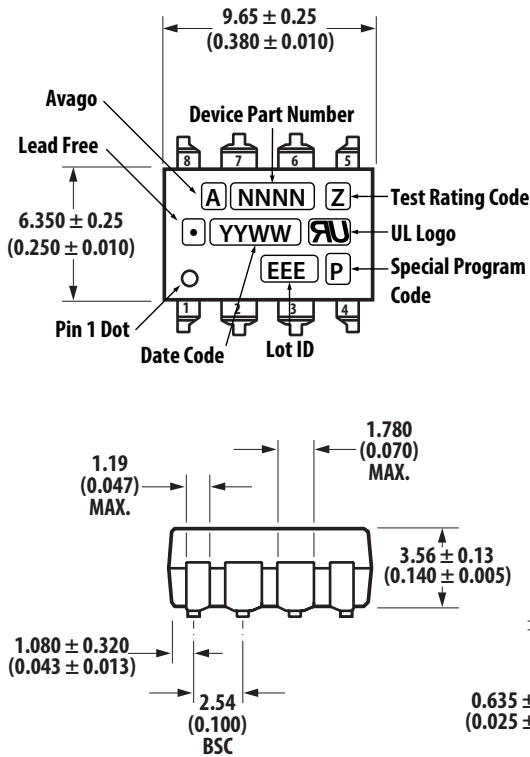
8-Pin DIP Package (HCPL-4502/3)



Dimensions in millimeters and (inches).
 *marking code letter for option numbers
 "L" = option 020
 "V" = option 060
 Option numbers 300 and 500 not marked.

Note: Floating lead protrusion is 0.25 mm (10 mils) max.

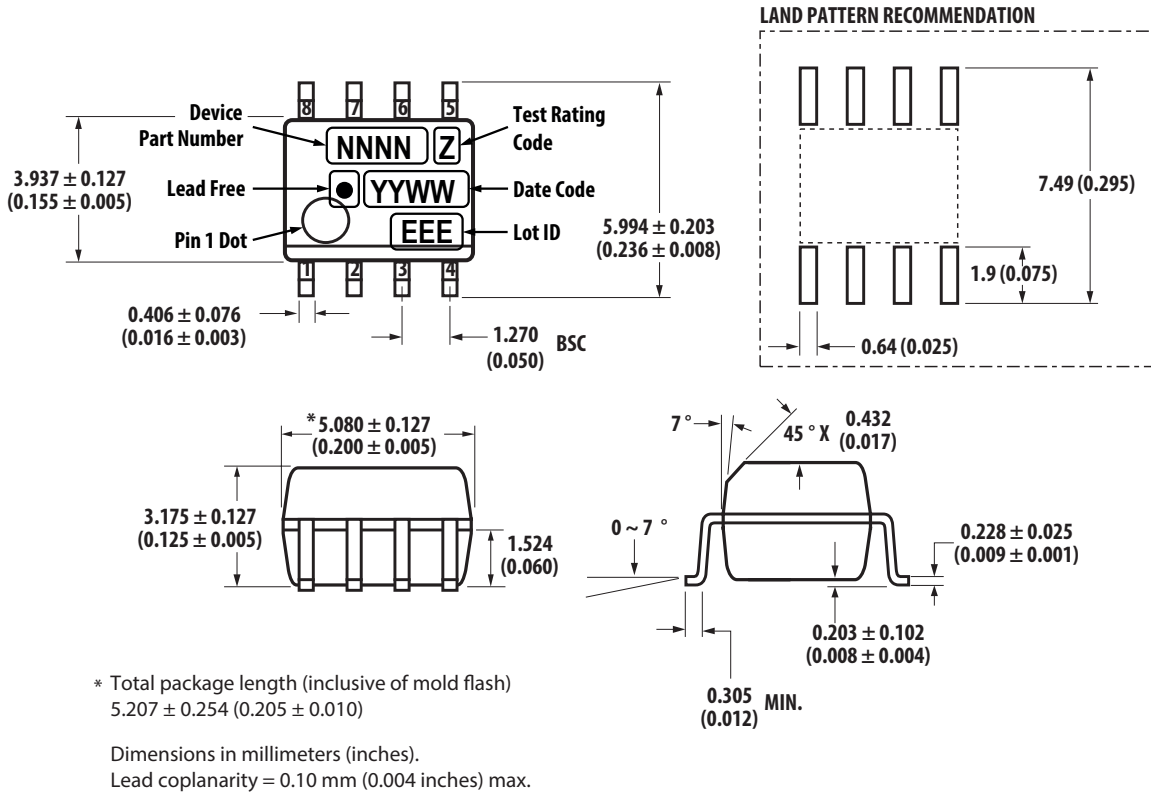
8-Pin DIP Package with Gull Wing Surface Mount Option 300 (HCPL-4502/3)



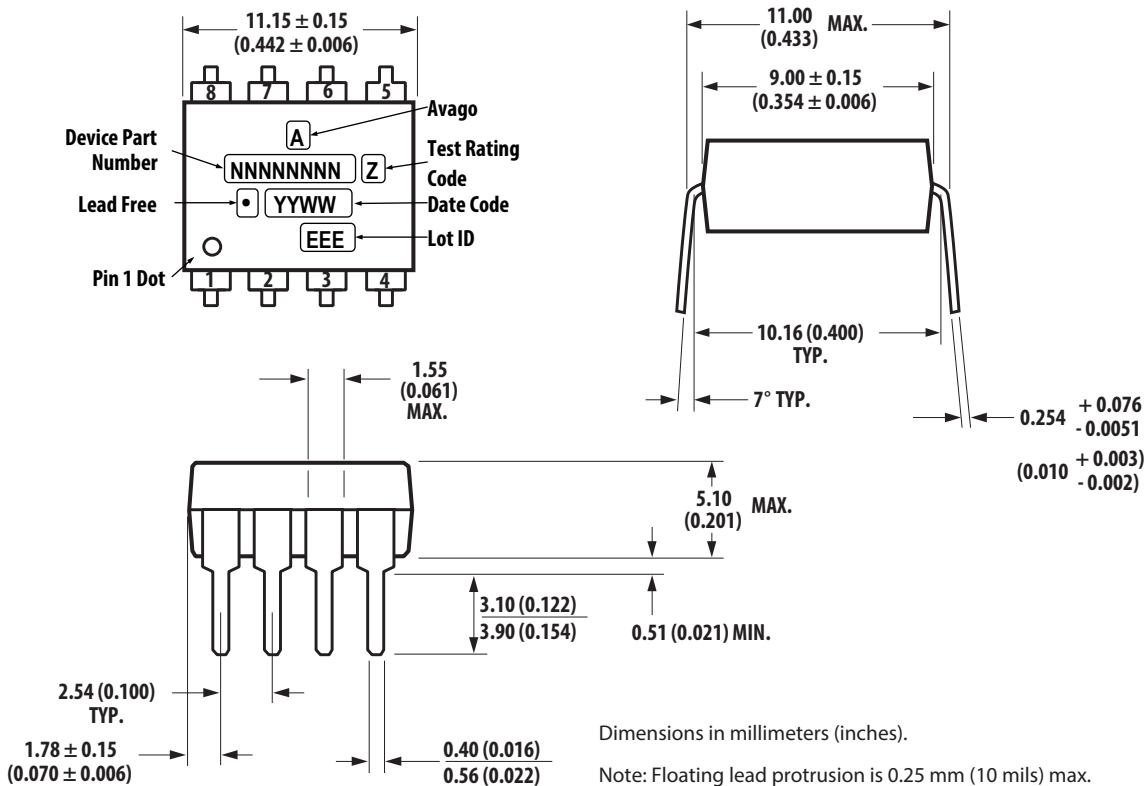
Dimensions in millimeters (inches).
 Lead coplanarity = 0.10 mm (0.004 inches).

Note: Floating lead protrusion is 0.25 mm (10 mils) max.

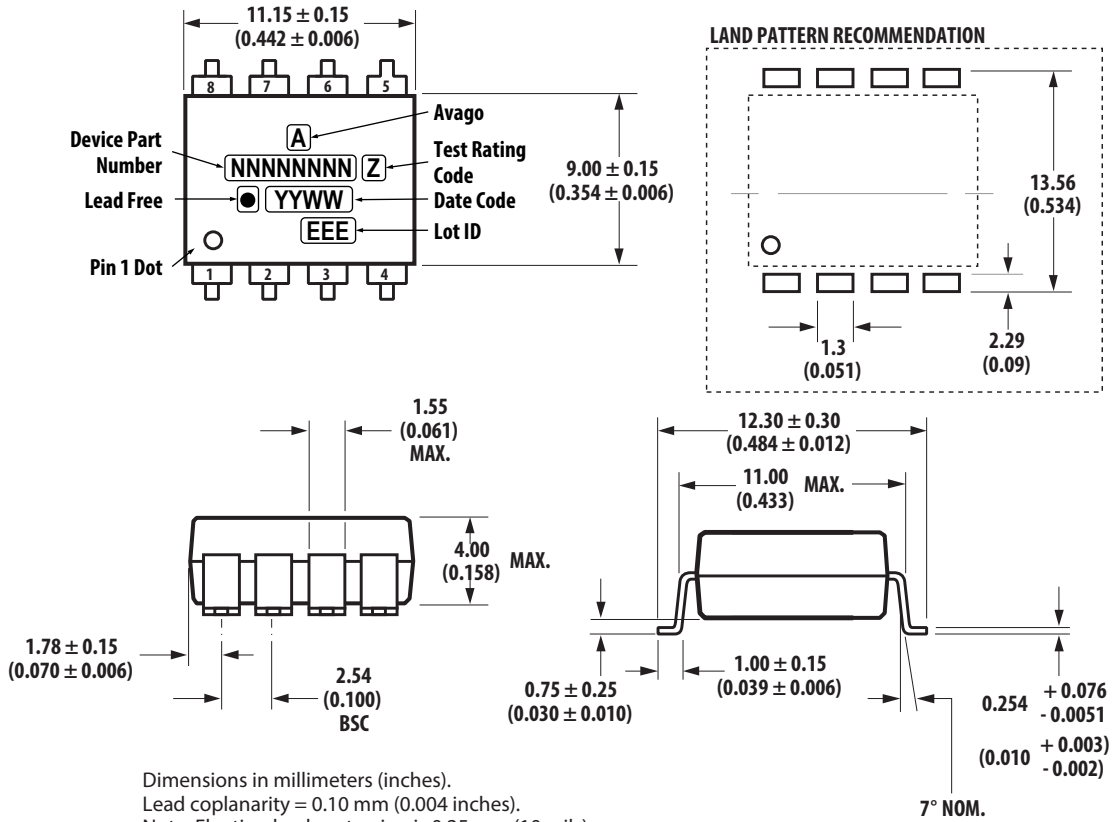
Small Outline SO-8 Package (HCPL-0452/3)



8-Pin Widebody DIP Package (HCNW4502/3)



8-Pin Widebody DIP Package with Gull Wing Surface Mount Option 300 (HCNW4502/3)



Solder Reflow Profile

Recommended reflow condition as per JEDEC Standard, J-STD-020 (latest revision). Non-Halide Flux should be used.

Regulatory Information

The devices contained in this data sheet have been approved by the following organizations:

UL

Recognized under UL 1577, Component Recognition Program, File E55361.

IEC/EN/DIN EN 60747-5-5 (HCNW and option 060 only)

Approved with Maximum Working Insulation Voltage

$V_{\text{ioirm}} = 560 V_{\text{peak}}$ for HCPL-0452/0453,

$V_{\text{ioirm}} = 630 V_{\text{peak}}$ for HCPL-4502/4503, and

$V_{\text{ioirm}} = 1414 V_{\text{peak}}$ for HCNW4502/4503.

CSA

Approved under CSA Component Acceptance Notice #5, File CA 88324.

Insulation and Safety Related Specifications

| Parameter | Symbol | 8-Pin DIP (300 Mil) Value | SO-8 Value | Widebody (400 Mil) Value | Unit | Conditions |
|---|--------|---------------------------------|---------------|--------------------------------|------|--|
| Minimum External Air Gap (External Clearance) | L(101) | 7.1 | 4.9 | 9.6 | mm | Measured from input terminals to output terminals, shortest distance through air. |
| Minimum External Tracking (External Creepage) | L(102) | 7.4 | 4.8 | 10.0 | mm | Measured from input terminals to output terminals, shortest distance path along body. |
| Minimum Internal Plastic Gap (Internal Clearance) | | 0.08 | 0.08 | 1.0 | mm | Through insulation distance, conductor to conductor, usually the direct distance between the photoemitter and photodetector inside the optocoupler cavity. |
| Minimum Internal Tracking (Internal Creepage) | | NA | NA | 4.0 | mm | Measured from input terminals to output terminals, along internal cavity. |
| Tracking Resistance (Comparative Tracking Index) | CTI | > 175 | > 175 | > 175 | V | DIN IEC 112/VDE 0303 Part 1 |
| Isolation Group | | IIIa | IIIa | IIIa | | Material Group (DIN VDE 0110, 1/89, Table 1) |

Option 300 - surface mount classification is Class A in accordance with CECC 00802.

IEC/EN/DIN EN 60747-5-5 Insulation Related Characteristics (OPTION 060 ONLY)

| Description | Symbol | Characteristic | | Units |
|--|----------------|----------------|----------------|-------------|
| | | HCPL-4502/4503 | HCPL-0452/0453 | |
| Installation classification per DIN VDE 0110/39, Table 1 for rated mains voltage $\leq 300 V_{rms}$ | | I-IV | I-IV | |
| for rated mains voltage $\leq 600 V_{rms}$ | | I-IV | I-III | |
| Climatic Classification | | 55/100/21 | 55/100/21 | |
| Pollution Degree (DIN VDE 0110/39) | | 2 | 2 | |
| Maximum Working Insulation Voltage | V_{IORM} | 630 | 560 | V_{peak} |
| Input to Output Test Voltage, Method b* $V_{IORM} \times 1.875 = V_{PR}$, 100% Production Test with $t_m = 1$ sec, Partial Discharge < 5 pC | V_{PR} | 1181 | 1050 | V_{peak} |
| Input to Output Test Voltage, Method a* $V_{IORM} \times 1.6 = V_{PR}$, Type and sample test, $t_m = 10$ sec, Partial Discharge < 5 pC | V_{PR} | 1008 | 896 | V_{peak} |
| Highest Allowable Overvoltage* (Transient Overvoltage, $t_{ini} = 60$ sec) | V_{IOTM} | 8000 | 6000 | V_{peak} |
| Safety Limiting Values (Maximum values allowed in the event of a failure, also see Figure 9, Thermal Derating curve.) | | | | |
| Case Temperature | T_s | 175 | 175 | $^{\circ}C$ |
| Input Current | $I_{S,INPUT}$ | 230 | 150 | mA |
| Output Power | $P_{S,OUTPUT}$ | 600 | 600 | mW |
| Insulation Resistance at $T_s, V_{IO} = 500$ V | R_s | $\geq 10^9$ | $\geq 10^9$ | Ω |

IEC/EN/DIN EN 60747-5-5 Insulation Related Characteristics (HCNW4502/3 ONLY)

| Description | Symbol | Characteristic | Units |
|--|----------------|----------------|-------------|
| Installation classification per DIN VDE 0110/39, Table 1 for rated mains voltage ≤ 600 V rms | | I-IV | |
| for rated mains voltage ≤ 1000 V rms | | I-III | |
| Climatic Classification | | 55/85/21 | |
| Pollution Degree (DIN VDE 0110/39) | | 2 | |
| Maximum Working Insulation Voltage | V_{IORM} | 1414 | V_{peak} |
| Input to Output Test Voltage, Method b* $V_{IORM} \times 1.875 = V_{PR}$, 100% Production Test with $t_m = 1$ sec, Partial Discharge < 5 pC | V_{PR} | 2652 | V_{peak} |
| Input to Output Test Voltage, Method a* $V_{IORM} \times 1.6 = V_{PR}$, Type and sample test, $t_m = 10$ sec, Partial Discharge < 5 pC | V_{PR} | 2262 | V_{peak} |
| Highest Allowable Overvoltage* (Transient Overvoltage, $t_{ini} = 60$ sec) | V_{IOTM} | 8000 | V_{peak} |
| Safety Limiting Values (Maximum values allowed in the event of a failure, also see Figure 9, Thermal Derating curve.) | | | |
| Case Temperature | T_s | 150 | $^{\circ}C$ |
| Input Current | $I_{S,INPUT}$ | 400 | mA |
| Output Power | $P_{S,OUTPUT}$ | 700 | mW |
| Insulation Resistance at $T_s, V_{IO} = 500$ V | R_s | $\geq 10^9$ | Ω |

*Refer to the front of the optocoupler section of the current catalog, under Product Safety Regulations section IEC/EN/DIN EN 60747-5-5, for a detailed description.

Note: Isolation characteristics are guaranteed only within the safety maximum ratings which must be ensured by protective circuits in application.

Absolute Maximum Ratings

| Parameter | Symbol | Device | Min. | Max. | Units | Note |
|--|----------------|------------------------|--|------|-------|------|
| Storage Temperature | T_S | | -55 | 125 | °C | |
| Operating Temperature | T_A | 8-Pin DIP SO-8 | -55 | 100 | °C | |
| | | Widebody | -55 | 85 | | |
| Average Forward Input Current | $I_{F(AVG)}$ | | | 25 | mA | 1 |
| Peak Forward Input Current (50% duty cycle, 1 ms pulse width) | $I_{F(PEAK)}$ | 8-Pin DIP SO-8 | | 50 | mA | 2 |
| | | Widebody | | 40 | | |
| Peak Transient Input Current ($\leq 1 \mu\text{s}$ pulse width, 300 pps) | $I_{F(TRANS)}$ | 8-Pin DIP SO-8 | | 1 | A | |
| | | Widebody | | 0.1 | | |
| Reverse LED Input Voltage (Pin 3-2) | V_R | 8-Pin DIP SO-8 | | 5 | V | |
| | | Widebody | | 3 | | |
| Input Power Dissipation | P_{IN} | 8-Pin DIP SO-8 | | 45 | mW | 3 |
| | | Widebody | | 40 | | |
| Average Output Current (Pin 6) | $I_{O(AVG)}$ | | | 8 | mA | |
| Peak Output Current | $I_{O(PEAK)}$ | | | 16 | mA | |
| Emitter-Base Reverse Voltage (Pin 5-7, except 4502/3, 0452/3) | V_{EBR} | | | 5 | V | |
| Supply Voltage (Pin 8-5) | V_{CC} | | -0.5 | 30 | V | |
| Output Voltage (Pin 6-5) | V_O | | -0.5 | 20 | V | |
| Base Current (Pin 7, except 4502/3, 0452/3) | I_B | | | 5 | mA | |
| Output Power Dissipation | P_O | | | 100 | mW | 4 |
| Lead Solder Temperature (Through-Hole Parts Only) | | | | | | |
| 1.6 mm below seating plane, 10 seconds up to seating plane, 10 seconds | T_{LS} | 8-Pin DIP | | 260 | °C | |
| | | Widebody | | 260 | °C | |
| Reflow Temperature Profile | T_{RP} | SO-8 and Option 300 | See Package Outline Drawings section | | | |

Electrical Specifications (DC)

Over recommended temperature ($T_A = 0^\circ\text{C}$ to 70°C) unless otherwise specified. See note 13.

| Parameter | Symbol | Device | Min. | Typ.* | Max. | Units | Test Conditions | Fig. | Note |
|--|---------------------------|--|----------|--------------------------|----------------------------|----------------------------|--|---|--------------------------|
| Current Transfer Ratio | CTR | HCPL-4502/3 HCPL-0452/3 HCNW4502/3 | 19 15 | 24 24 | 50 | % | $T_A = 25^\circ\text{C}$ $V_O = 0.4\text{ V}$ $V_O = 0.5\text{ V}$ | $I_F = 16\text{ mA}$ $V_{CC} = 4.5\text{ V}$ | 1, 2, 5 4 |
| Logic Low Output Voltage | V_{OL} | HCPL-4502/3 HCPL-0452/3 HCNW4502/3 | | 0.1 0.1 | 0.4 0.5 | V | $T_A = 25^\circ\text{C}$ $I_O = 3.0\text{ mA}$ $I_O = 2.4\text{ mA}$ | $I_F = 16\text{ mA}$ $V_{CC} = 4.5\text{ V}$ | |
| Logic High Output Current | I_{OH} | | | 0.003 0.01 | 0.5 1 | μA | $T_A = 25^\circ\text{C}$ $T_A = 25^\circ\text{C}$ | $V_O = V_{CC} = 5.5\text{ V}$ $V_O = V_{CC} = 15\text{ V}$ $V_O = V_{CC} = 15\text{ V}$ | $I_F = 0\text{ mA}$ 7 |
| Logic Low Supply Current | I_{CCL} | | | 50 | 200 | μA | $I_F = 16\text{ mA}$, $V_O = \text{Open}$, $V_{CC} = 15\text{ V}$ | | 10 |
| Logic High Supply Current | I_{CCH} | | | 0.02 | 1 | μA | $T_A = 25^\circ\text{C}$ $I_F = 16\text{ mA}$, $V_O = \text{Open}$, $V_{CC} = 15\text{ V}$ | | 10 |
| Input Forward Voltage | V_F | 8-Pin DIP SO-8 Widebody | | 1.5 1.45 1.35 | 1.7 1.8 1.85 1.95 | V | $T_A = 25^\circ\text{C}$ $T_A = 25^\circ\text{C}$ | $I_F = 16\text{ mA}$ $I_F = 16\text{ mA}$ | 3 |
| Input Reverse Breakdown Voltage | BV_R | 8-Pin DIP SO-8 Widebody | 5 3 | | | V | $I_R = 10\text{ }\mu\text{A}$ $I_R = 100\text{ }\mu\text{A}$ | | |
| Temperature Coefficient of Forward Voltage | $\Delta V_F / \Delta T_A$ | 8-Pin DIP SO-8 Widebody | | -1.6 -1.9 | | $\text{mV}/^\circ\text{C}$ | $I_F = 16\text{ mA}$ | | |
| Input Capacitance | C_{IN} | 8-Pin DIP SO-8 Widebody | | 60 90 | | pF | $f = 1\text{ MHz}$, $V_F = 0\text{ V}$ | | |
| Transistor DC Current Gain | h_{FE} | 8-Pin DIP SO-8 Widebody | | 150 130 180 160 | | | $V_O = 5\text{ V}$, $I_O = 3\text{ mA}$ $V_O = 0.4\text{ V}$, $I_B = 20\text{ }\mu\text{A}$ $V_O = 0.4\text{ V}$, $I_B = 20\text{ }\mu\text{A}$ $V_O = 5\text{ V}$, $I_O = 3\text{ mA}$ | | |

*All typicals at $T_A = 25^\circ\text{C}$.

Switching Specifications (AC)

Over recommended temperature ($T_A = 0^\circ\text{C}$ to 70°C), $V_{CC} = 5\text{ V}$, $I_F = 16\text{ mA}$ unless otherwise specified.

| Parameter | Sym. | Device | Min. | Typ.* | Max. | Units | Test Conditions | Fig. | Note | |
|---|------------------|-------------|------|-------|------|-------------------------|--|-------|------|--|
| Propagation Delay Time to Logic Low at Output | t_{PHL} | HCPL-4502/3 | 0.2 | 0.8 | | μs | $T_A = 25^\circ\text{C}$ $R_L = 1.9\text{ k}\Omega$ | 5, 6, | 8 | |
| | | HCPL-0452/3 | | 1.0 | | | | | | |
| | | HCNW4502/3 | | | | | | | | |
| Propagation Delay Time to Logic High at Output | t_{PLH} | HCPL-4502/3 | 0.6 | 0.8 | | μs | $T_A = 25^\circ\text{C}$ $R_L = 1.9\text{ k}\Omega$ | 5, 6, | 8 | |
| | | HCPL-0452/3 | | 1.0 | | | | | | |
| | | HCNW4502/3 | | | | | | | | |
| Common Mode Transient Immunity at Logic High Level Output | $ CM_H $ | HCPL-4502 | | 1 | | $\text{kV}/\mu\text{s}$ | $R_L = 1.9\text{ k}\Omega$ $I_F = 0\text{ mA}$, $T_A = 25^\circ\text{C}$, $V_{CM} = 10\text{ V}_{\text{p-p}}$ $C_L = 15\text{ pF}$ | 11 | 7, 8 | |
| | | HCPL-0452 | | | | | | | | |
| | | HCNW4502 | | | | | | | | |
| | | HCPL-4503 | 15 | 30 | | | | | | $R_L = 1.9\text{ k}\Omega$ $I_F = 0\text{ mA}$, $T_A = 25^\circ\text{C}$, $V_{CM} = 1500\text{ V}_{\text{p-p}}$ $C_L = 15\text{ pF}$ |
| | | HCPL-0453 | | | | | | | | |
| HCNW4503 | | | | | | | | | | |
| Common Mode Transient Immunity at Logic Low Level Output | $ CM_L $ | HCPL-4502 | | 1 | | $\text{kV}/\mu\text{s}$ | $R_L = 1.9\text{ k}\Omega$ $I_F = 16\text{ mA}$, $T_A = 25^\circ\text{C}$, $V_{CM} = 10\text{ V}_{\text{p-p}}$ $C_L = 15\text{ pF}$ | 11 | 7, 8 | |
| | | HCPL-0452 | | | | | | | | |
| | | HCNW4502 | | | | | | | | |
| | | HCPL-4503 | 15 | 30 | | | | | | $R_L = 1.9\text{ k}\Omega$ $I_F = 16\text{ mA}$, $T_A = 25^\circ\text{C}$, $V_{CM} = 1500\text{ V}_{\text{p-p}}$ $C_L = 15\text{ pF}$ |
| | | HCPL-0453 | | | | | | | | |
| HCNW4503 | | | | | | | | | | |

*All typicals at $T_A = 25^\circ\text{C}$.

Package Characteristics

Over recommended temperature ($T_A = 0^\circ\text{C}$ to 70°C) unless otherwise specified.

| Parameter | Sym. | Device | Min. | Typ.* | Max. | Units | Test Conditions | Fig. | Note |
|--|-----------|------------------------|-----------|-----------|------|---------------|--|------|----------|
| Input-Output Momentary Withstand Voltage** | V_{ISO} | 8-Pin DIP | 3750 | | | V rms | RH < 50%, t = 1 min., $T_A = 25^\circ\text{C}$ | | 6, 11 |
| | | SO-8 | | | | | | | 6, 12 |
| | | Widebody | 5000 | | | | | | 6, 9, 12 |
| | | 8-Pin DIP (Option 020) | 5000 | | | | | | 6, 9, 12 |
| | I_{I-O} | 8-Pin DIP | | | 1 | μA | 45% RH, t = 5 s, $V_{I-O} = 3 \text{ kVdc}$, $T_A = 25^\circ\text{C}$ | | 6, 13 |
| Input-Output Resistance | R_{I-O} | 8-Pin DIP | | 10^{12} | | Ω | $V_{I-O} = 500 \text{ Vdc}$ | | 6 |
| | | SO-8 | | | | | | | |
| | | Widebody | 10^{12} | 10^{13} | | | $T_A = 25^\circ\text{C}$ | | |
| | | | 10^{11} | | | | $T_A = 100^\circ\text{C}$ | | |
| Input-Output Capacitance | C_{I-O} | 8-Pin DIP | | 0.6 | | pF | f = 1 MHz | | 6 |
| | | SO-8 | | | | | | | |
| | | Widebody | | 0.5 | 0.6 | | | | |

*All typicals at $T_A = 25^\circ\text{C}$.

**The Input-Output Momentary Withstand Voltage is a dielectric voltage rating that should not be interpreted as an input-output continuous voltage rating. For the continuous voltage rating refer to the IEC/EN/DIN EN 60747-5-5 Insulation Related Characteristics Table (if applicable), your equipment level safety specification or Avago Application Note 1074 entitled "Optocoupler Input-Output Endurance Voltage," publication number 5963-2203E.

Notes:

- Derate linearly above 70°C free-air temperature at a rate of $0.8 \text{ mA}/^\circ\text{C}$ (8-Pin DIP).
Derate linearly above 85°C free-air temperature at a rate of $0.5 \text{ mA}/^\circ\text{C}$ (SO-8).
- Derate linearly above 70°C free-air temperature at a rate of $1.6 \text{ mA}/^\circ\text{C}$ (8-Pin DIP).
Derate linearly above 85°C free-air temperature at a rate of $1.0 \text{ mA}/^\circ\text{C}$ (SO-8).
- Derate linearly above 70°C free-air temperature at a rate of $0.9 \text{ mW}/^\circ\text{C}$ (8-Pin DIP).
Derate linearly above 85°C free-air temperature at a rate of $1.1 \text{ mW}/^\circ\text{C}$ (SO-8).
- Derate linearly above 70°C free-air temperature at a rate of $2.0 \text{ mW}/^\circ\text{C}$ (8-Pin DIP).
Derate linearly above 85°C free-air temperature at a rate of $2.3 \text{ mW}/^\circ\text{C}$ (SO-8).
- CURRENT TRANSFER RATIO in percent is defined as the ratio of output collector current, $I_{C'}$, to the forward LED input current, I_F , times 100.
- Device considered a two-terminal device: Pins 1, 2, 3, and 4 shorted together and Pins 5, 6, 7, and 8 shorted together.
- Common mode transient immunity in a Logic High level is the maximum tolerable (positive) $dV_{CM'}/dt$ on the leading edge of the common mode pulse signal, $V_{CM'}$, to assure that the output will remain in a Logic High state (i.e., $V_O > 2.0 \text{ V}$). Common mode transient immunity in a Logic Low level is the maximum tolerable (negative) $dV_{CM'}/dt$ on the trailing edge of the common mode pulse signal, $V_{CM'}$, to assure that the output will remain in a Logic Low state (i.e., $V_O < 0.8 \text{ V}$).
- The $1.9 \text{ k}\Omega$ load represents 1 TTL unit load of 1.6 mA and the $5.6 \text{ k}\Omega$ pull-up resistor.
- See Option 020 data sheet for more information.
- Use of a $0.1 \mu\text{F}$ bypass capacitor connected between pins 5 and 8 is recommended.
- In accordance with UL 1577, each optocoupler is proof tested by applying an insulation test voltage $\geq 4500 \text{ V rms}$ for 1 second (leakage detection current limit, $I_{I-O} \leq 5 \mu\text{A}$). This test is performed before the 100% Production test shown in the IEC/EN/DIN EN 60747-5-5 Insulation Related Characteristics Table if applicable.
- In accordance with UL 1577, each optocoupler is proof tested by applying an insulation test voltage $\geq 6000 \text{ V rms}$ for 1 second (leakage detection current limit, $I_{I-O} \leq 5 \mu\text{A}$). This test is performed before the 100% Production test shown in the IEC/EN/DIN EN 60747-5-5 Insulation Related Characteristics Table if applicable.
- This rating is equally validated by an equivalent ac proof test.



Figure 1. DC and pulsed transfer characteristics.

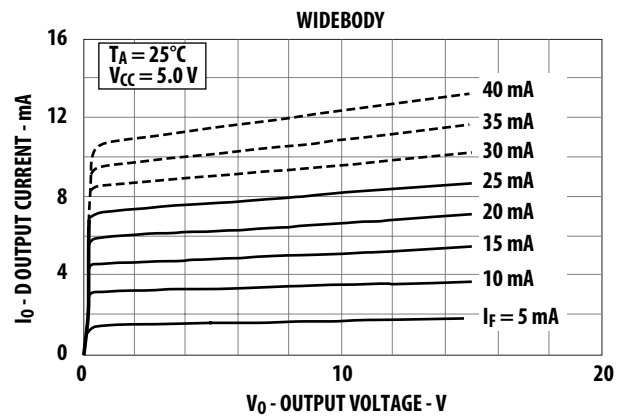


Figure 2. Current transfer ratio vs. input current.

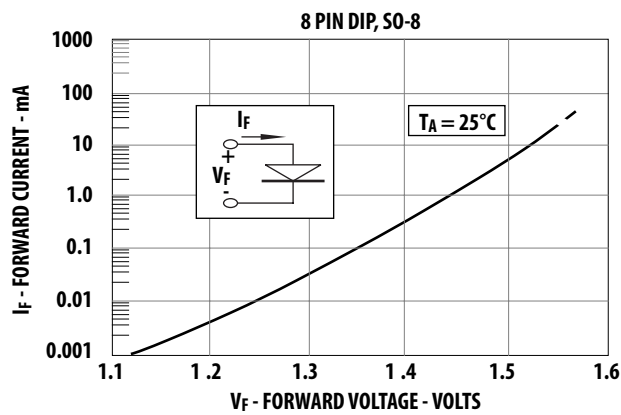
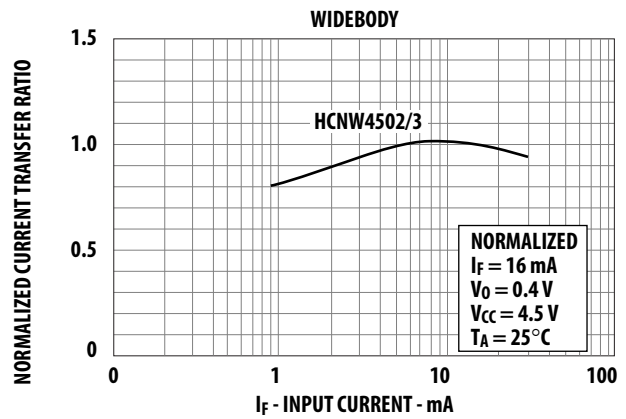


Figure 3. Input current vs. forward voltage.

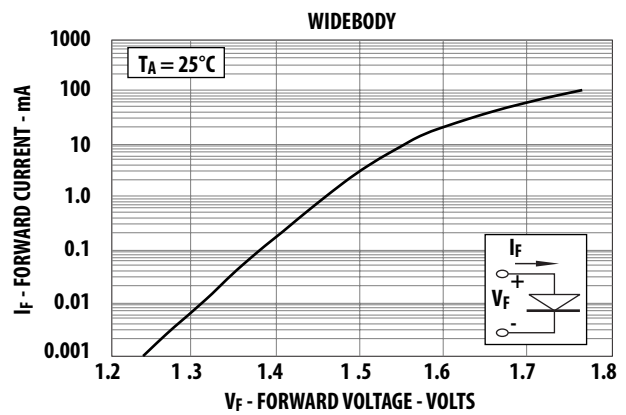




Figure 4. Current transfer ratio vs. temperature.



Figure 5. Propagation delay vs. temperature.



Figure 6. Propagation delay time vs. load resistance.





Figure 7. Logic high output current vs. temperature.

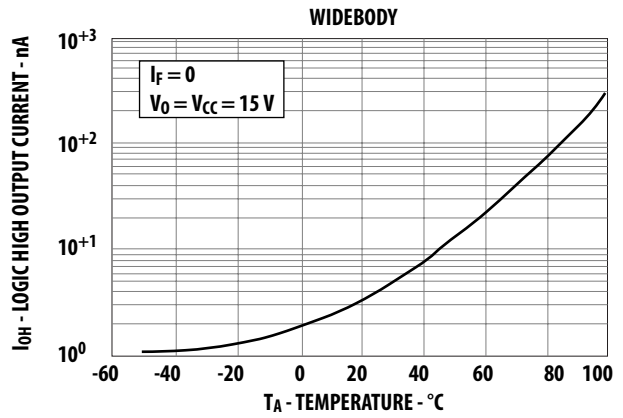


Figure 8. Small-signal current transfer ratio vs. quiescent input current.



Figure 9. Thermal derating curve, dependence of safety limiting value with case temperature per IEC/EN/DIN EN 60747-5-5.

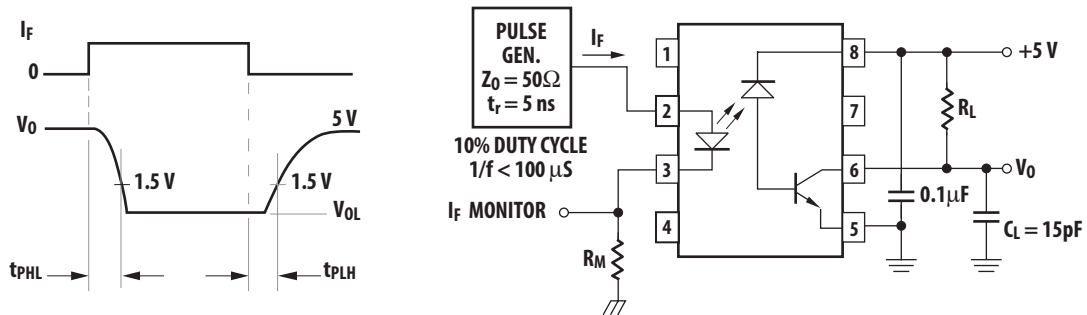


Figure 10. Switching test circuit.

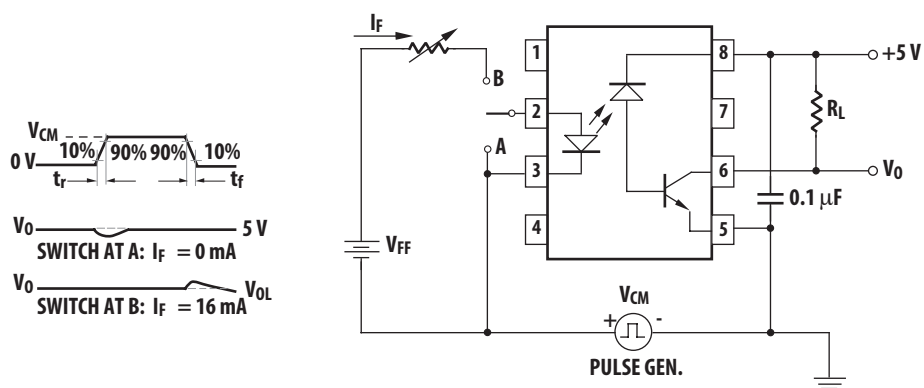


Figure 11. Test circuit for transient immunity and typical waveforms.

For product information and a complete list of distributors, please go to our web site: www.avagotech.com

Avago, Avago Technologies, and the A logo are trademarks of Avago Technologies in the United States and other countries. Data subject to change. Copyright © 2005-2013 Avago Technologies. All rights reserved. AV02-1392EN - December 9, 2013

AVAGO
TECHNOLOGIES