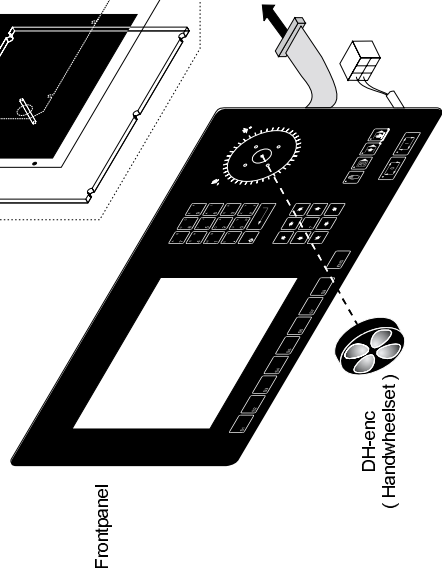
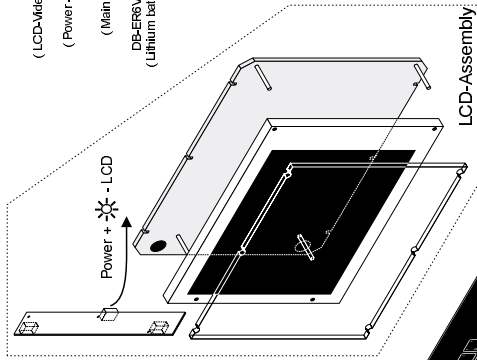
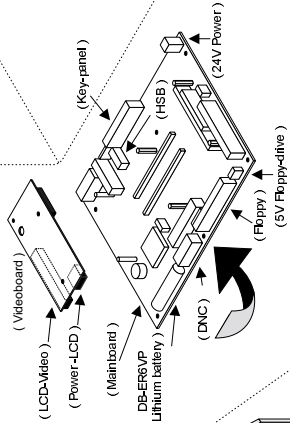
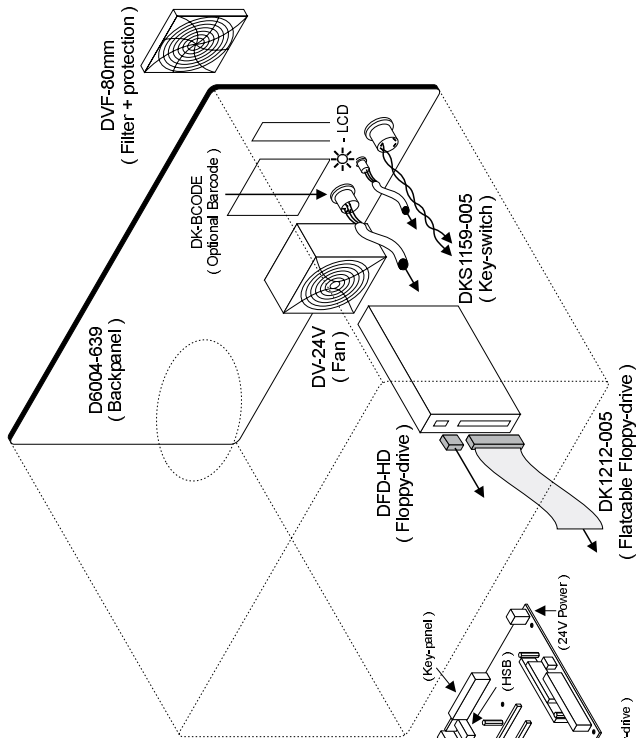
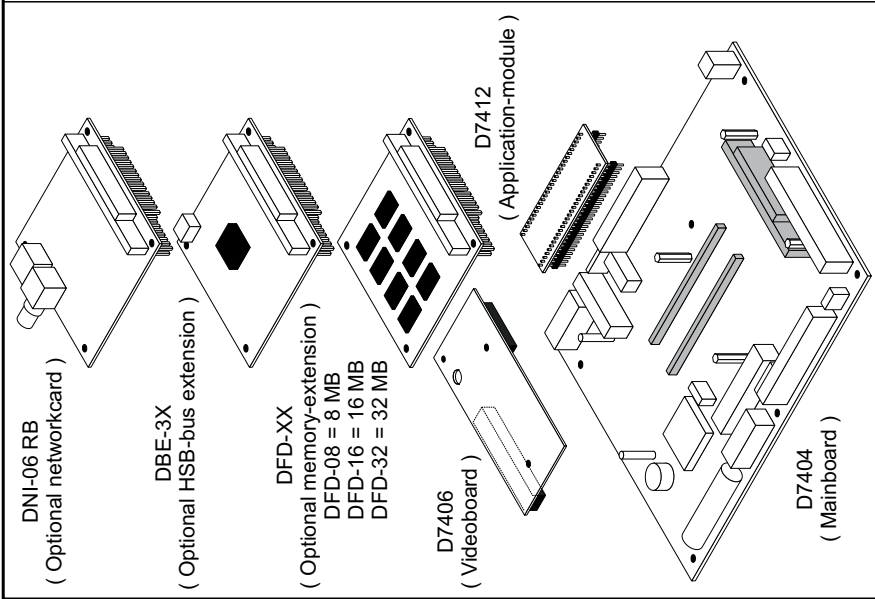
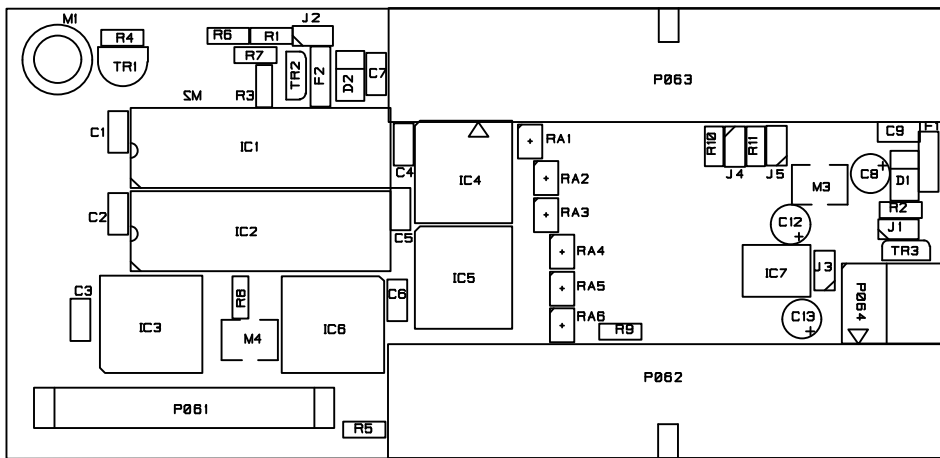


Delem Luchthavenweg 42, 5657 EB Eindhoven, the NETHERLANDS		See drawing 9065-901 for viewing angle options information		Date 14-04-1998	
EXPLODED VIEW DA69 VAO-1 STANDARD		Format A3		Issue B	
Note B Redrawn HNF Date 29-10-2001		Description Update Lay-Out Date 14-09-1998		Measures in mm, unless otherwise specified MI	
Note A Redrawn MI Date 14-09-1998		Description Update Lay-Out		Drawn MI	
No unauthorized copying allowed Scale					



Delem Luchthavenweg 42, 5657 EB Eindhoven, the NETHERLANDS		EXPLODED VIEW DA69 VAO-2 STANDARD	
Note B Redrawn HNF Date 29-10-2001	Note A Redrawn MI Date 14-09-1998	Format A3 Number 8028-505 Issue B	Date 14-04-1998 Drawn MI Measures in mm, unless otherwise specified
Description Update Lay-Out			No unauthorized copying allowed Scale



Note	Redraw	Date
		02-04-98

Description	Issue A -> B
-------------	--------------

Note	Redraw	Date
		01-10-97

Description	Issue - -> A
-------------	--------------

Measures in mm, unless otherwise specified	Drawn	Date
	HM	16-04-96

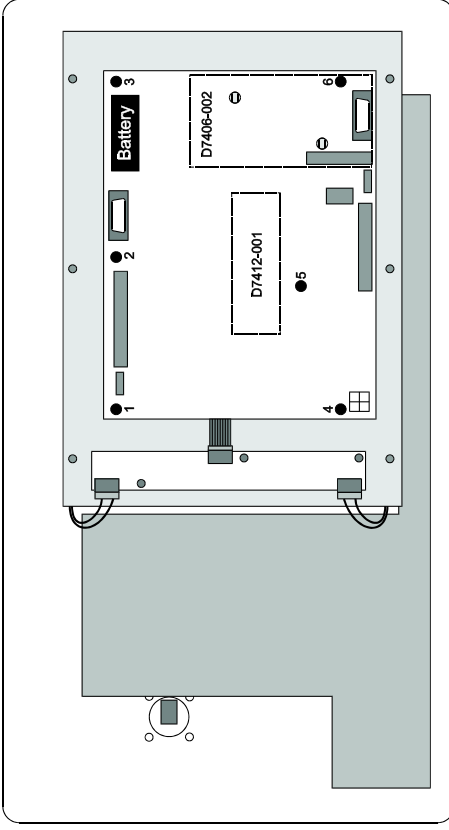
Del em Luchthavenweg 42.5657 EB
Eindhoven, the NETHERLANDS

LCD INTERFACE COMP.OPST.

301/B

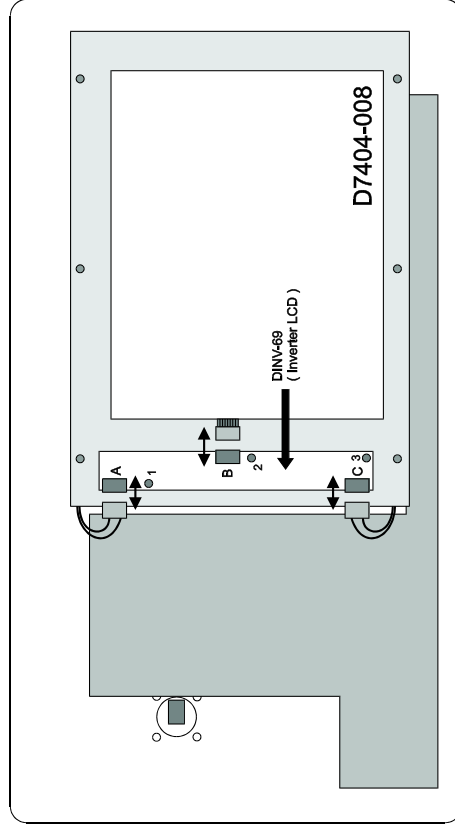
Format	Number	Issue
A4	7406-201	B

No unauthorized copying allowed



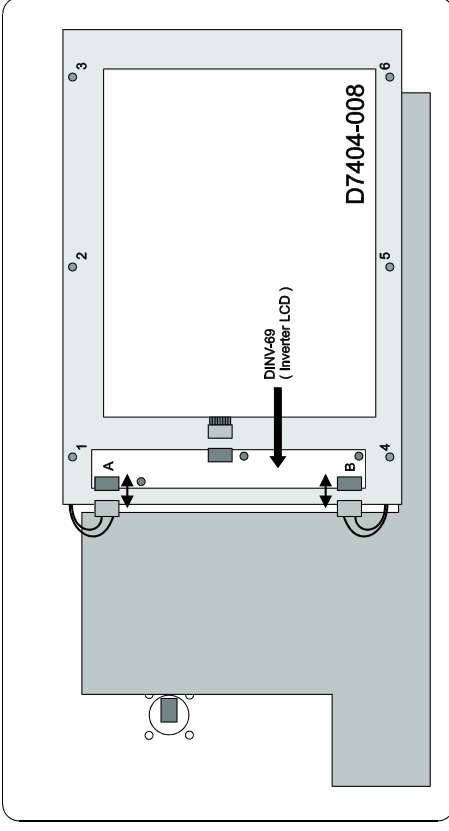
Disconnect all connectors, remove all other boards from Mainboard, and unscrew 1 - 6 to exchange D7404-008 (Mainboard)

EXCHANGING D7404-008 (Mainboard DA69)



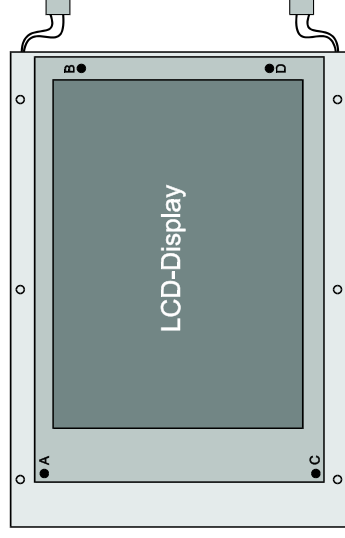
Disconnect A, B and C & Unscrew 1, 2 and 3 to exchange DINV-69 (Inverter LCD)

EXCHANGING DINV-69 (Inverter LCD)



Disconnect A and B & Unscrew 1 - 6 to remove LCD-assembly from frontpanel

BACKVIEW



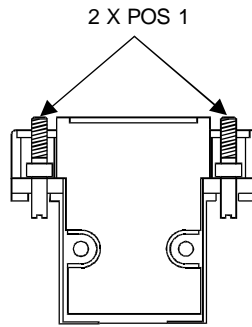
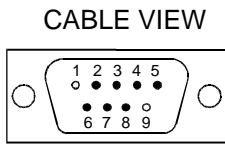
Unscrew A - D to exchange LCD-Display

FRONTVIEW

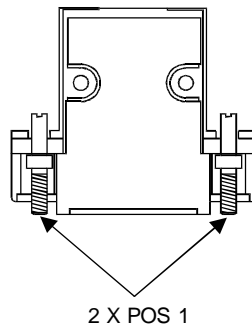
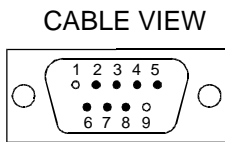
EXCHANGING DLCD-69 (VGA-LCD Display)

Note	Redrawn	Date
Description		
Note	Redrawn	Date
Description		
Measures in mm, unless otherwise specified	Drawn	Date
	MI	10-03-1998

Delem Luchthavenweg 42, 5657 EB Eindhoven, The NETHERLANDS		
DA69 LCD-EXCHANGE NOTE		
Format	Number	Issue
A3	9055-501/-	-
No unauthorized copying allowed Scale		

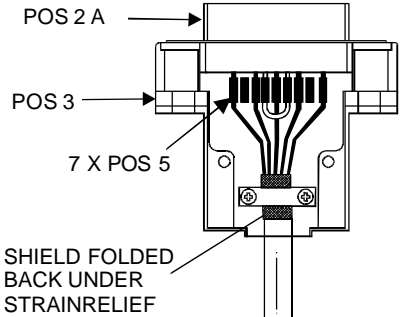


pin 2 PC RXD TO pin 3 CNC TXD
pin 3 PC TXD TO pin 2 CNC RXD
pin 7 PC RTS TO pin 8 CNC CTS
pin 5 PC 0V TO pin 5 CNC 0V
pin 7 CNC RTS TO pin 8 PC CTS
pin 4 CNC DTR TO pin 6 CNC DSR
pin 4 PC DTR TO pin 6 PC DSR



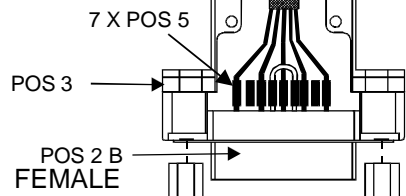
VERSIE	LENGTE
001	4 mtr
002	6 mtr
003	9 mtr
004	12 mtr

FEMALE



POS 4

SHIELD FOLDED BACK UNDER STRAINRELIEF



MOUNT TWO COUPLING NUTS

9 POLE MALE

25 POLE FEMALE

POS 6

Note	Redrawn	Date
Description		
-		
Note	Redrawn	Date
Description		
-		
Measures in mm, unless otherwise specified	Drawn VW	Date 28-01-1997

Delem

Luchthavenweg 42, 5657 EB
Eindhoven, the NETHERLANDS

SERIAL INTERFACE CABLE 2 X SUB-D
9-/25-POLE

Format	Number	Issue
A4	1130-201	-

No unauthorized copying allowed Scale