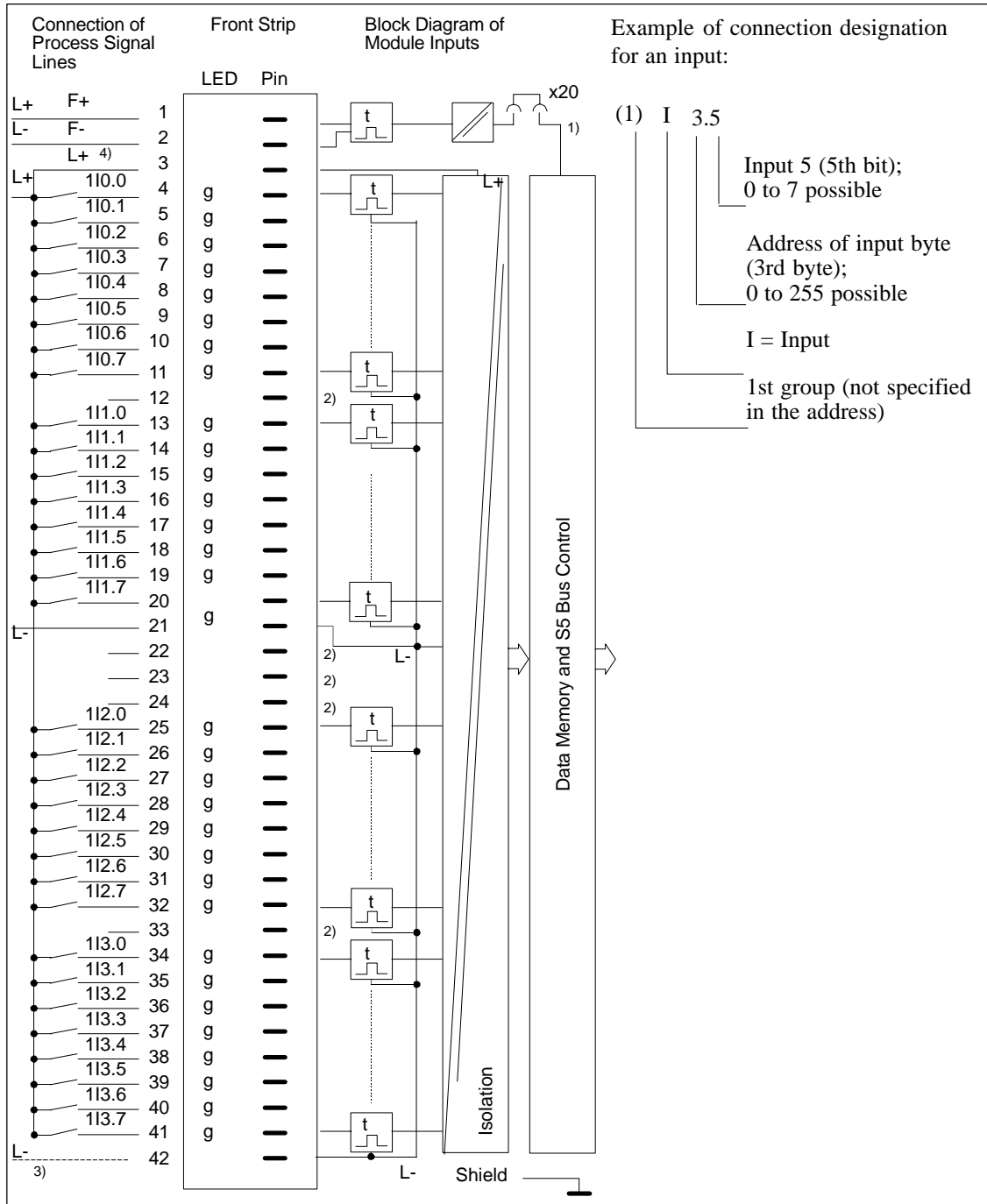


### 8.4.2 6ES5 430-4UA13/4UA14 Digital Input Module

|   | -4UA13   | -4UA14                        |
|---|--|-------------------------------|
| Rated input voltage                                       | 24 V DC  |                               |
| Number of inputs  | 32   |                               |
| Isolation   | Yes, 1 group with 32 inputs                      |                               |
| Input voltage<br>for logic 0<br>for logic 1 <sup>1)</sup> | -3 to 7 V<br>13 to 33 V                          | -33 to 7 V<br>13 to 33 V      |
| Rated input current                                       | 7.0 mA   |                               |
| Input frequency   | 100 Hz max.                                      |                               |
| Delay time  | 4 ms typical (2.5 to 6.5 ms)                     | 3 ms typical (1.4 to 5.0 ms)  |
| Input resistance  | 3.3 kohm typical                                 |                               |
| Coincidence factor (total load capability)                | 100 %  |                               |
| Permissible line length                                   | 600 m max., unshielded;<br>1000 m max., shielded |                               |
| <b>Power supply</b>                                       |  |                               |
| Digital section from system bus                           | 5 V, 100 mA typical                              | 5 V, 30 mA typical            |
| Supply voltage for 2-wire BERO                            | 22 to 33 V                                       |                               |
| Supply voltage L+/L-                                      | 24 V (20 to 30 V)                                | L+ to terminal 3 not required |
| Current consumption from L+/L-                            | Approx. 100 mA                                   | L+ not required               |
| Power dissipation (rated operation)                       | 8.3 W  | 5.6 W                         |
| <b>Enable input (F+/F-)</b>                               |  |                               |
| Rated input voltage                                       | 24 V DC  |                               |
| Input voltage<br>for logic 0<br>for logic 1               | -33 to 5 V<br>13 to 33 V                         |                               |
| Rated input current                                       | 5 mA   |                               |
| Permissible line length                                   | 200 m max.                                       |                               |
| Voltage test to VDE 0160                                  | Between group and ground point: 500 V AC         |                               |
| <b>Mechanical specifications</b>                          |  |                               |
| Dimensions (W x H x D)                                    | 20 mm x 255 mm x 195 mm                          |                               |
| Weight  | Approx. 0.4 kg                                   |                               |

<sup>1)</sup> Polarity reversal for up to 8 inputs per module is permissible.



g = Green LED (status indicator)  
 F+/F- = Enable input

- 1) Changeover of enable mode with jumper X20:  
 Jumper inserted = Enable input active (factory setting)  
 Jumper open = Enable input inactive.
- 2) The terminal is not connected internally. Even when this terminal is connected to input voltages, the clearances in air and leakage paths remain adequate to UL, CSA and VDE.
- 3) By connecting L- to pin 42, a leading and trailing connection to ground is established on the module when it is plugged in and removed.
- 4) L+ to terminal 3 is not required for -4UA14.