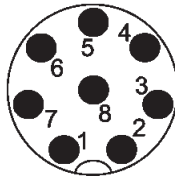


# M12 PushPull Connector

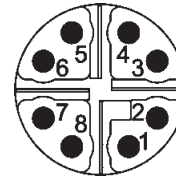


Mating face



A-coding  
Mating face  
acc. to IEC 61076-2-101

Mating face



X-coding  
Mating face  
acc. to IEC 61076-2-119



Circular Connectors

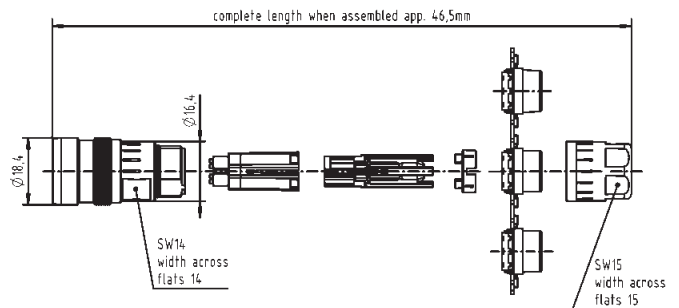
Identification      Part number      Drawing      Dimensions in mm

## M12 PushPull Slim design



Male  
straight version  
8 poles, A-coding, IP54  
Cable diameter: 5.7 - 8.8 mm

21 03 821 1830



## M12 PushPull Slim design

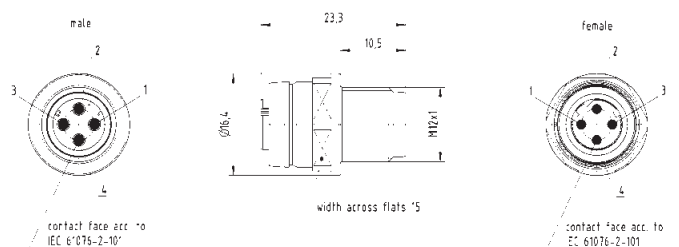


Male  
straight version  
8 poles, X-coding, IP54  
Cable diameter: 5.7 - 8.8 mm

21 03 881 1830

## M12 PushPull adapter

21 03 381 2403



The adapter can be used to bring a PushPull feature on a standard receptacle housing without PushPull feature.

