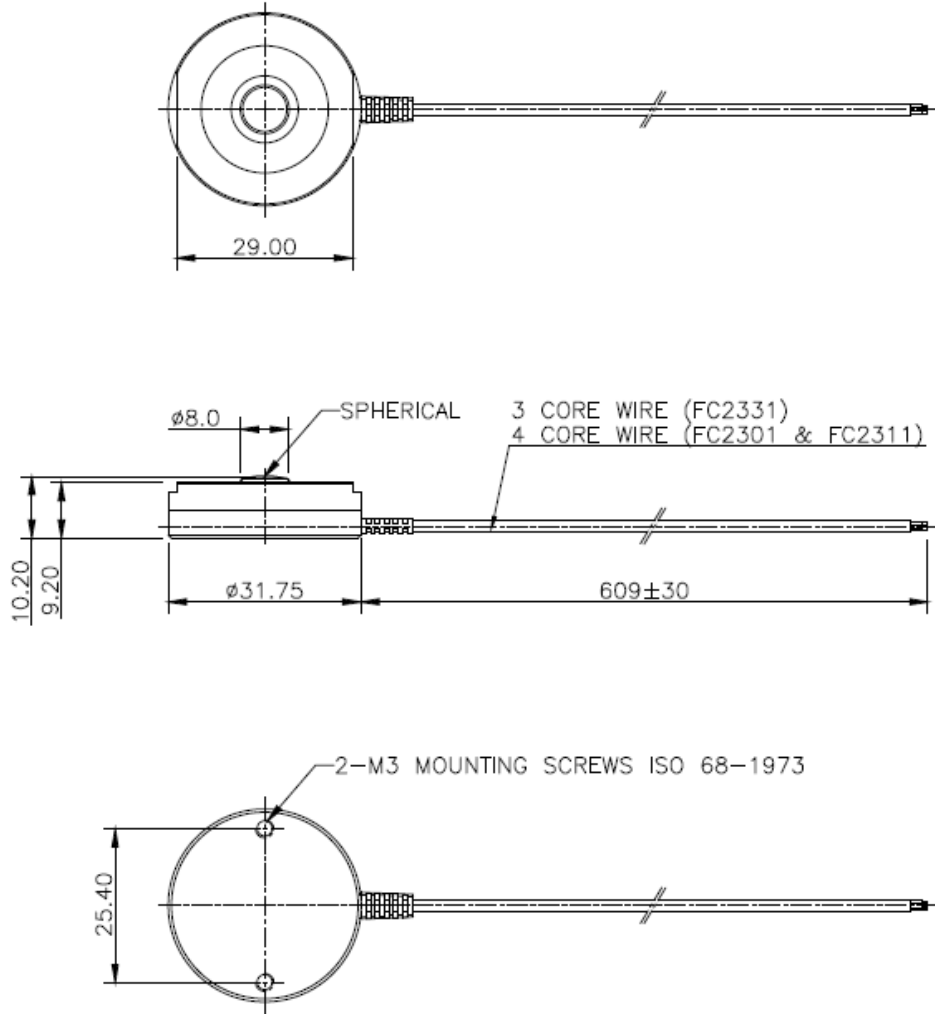
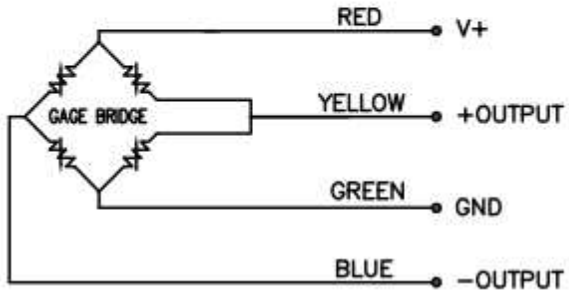


DIMENSIONS

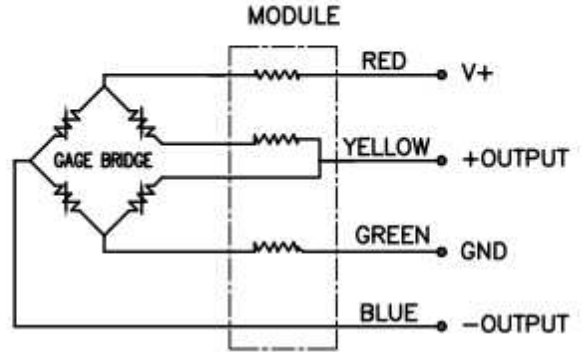


CONNECTIONS

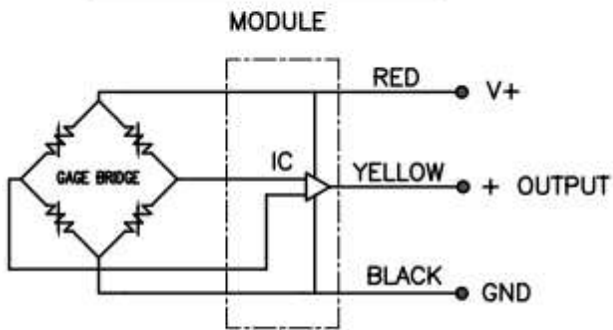
FC2301:
MILLIVOLT OUTPUT VERSION



FC2311:
MILLIVOLT OUTPUT VERSION



FC2331:
AMPLIFIED OUTPUT VERSION



WIRE NOTE:

P/N	WIRE CONNECTIONS
FC2301 FC2311	4 CORE WIRE (AWG32 OR AWG34, 125°C, 300V) YELLOW: +OUTPUT BLUE: -OUTPUT RED: V+ GREEN: GND
FC2331	3 CORE WIRE (AWG32 OR AWG34, 125°C, 300V) RED: V+ YELLOW: +OUTPUT BLACK: GND

