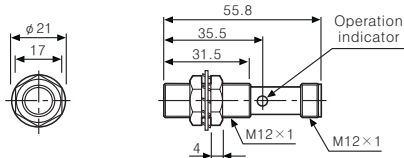


# Cylindrical Connector Type

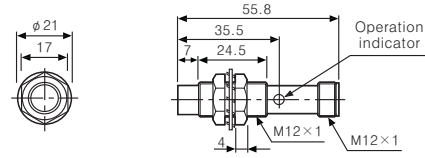
## ■ Dimensions

(Unit:mm)

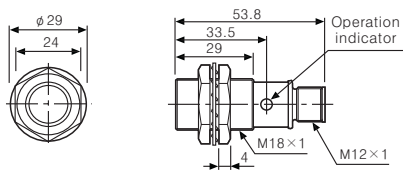
●PRCM(T)12-2D□



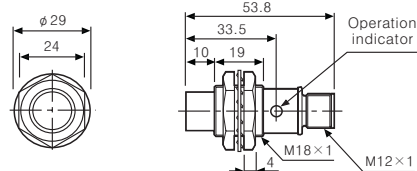
●PRCM(T)12-4D□



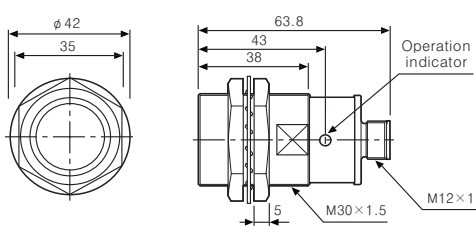
●PRCM(T)18-5D□



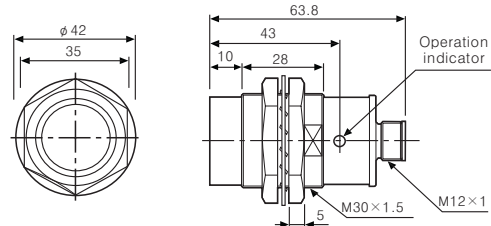
●PRCM(T)18-8D□



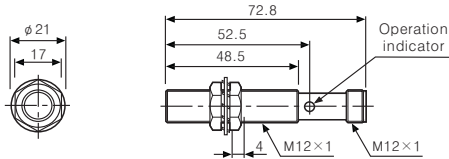
●PRCM(T)30-10D□



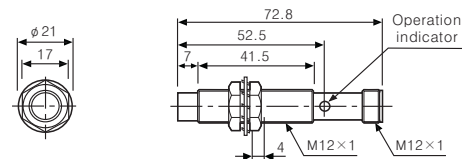
●PRCM(T)30-15D□



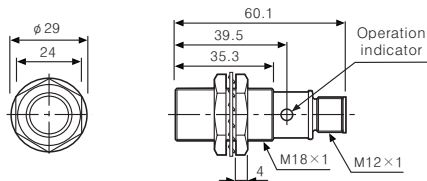
●PRCM12-2A□



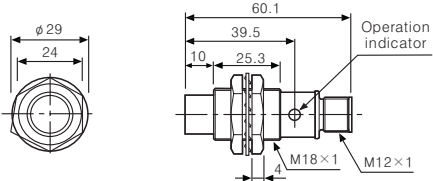
●PRCM12-4A□



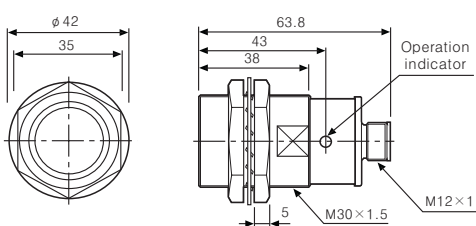
●PRCM18-5A□



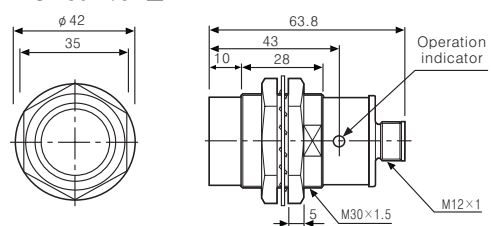
●PRCM18-8A□



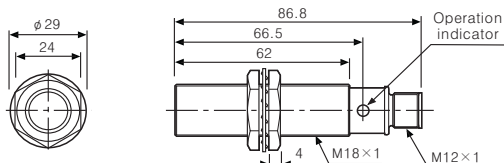
●PRCM30-10A□



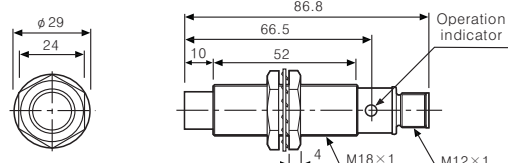
●PRCM30-15A□



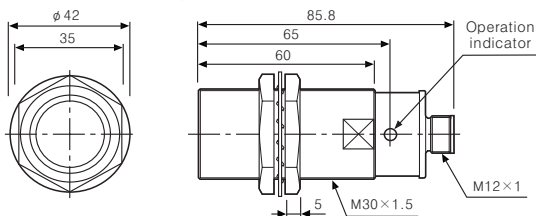
●PRCML18-5D□ / PRCML18-5A□



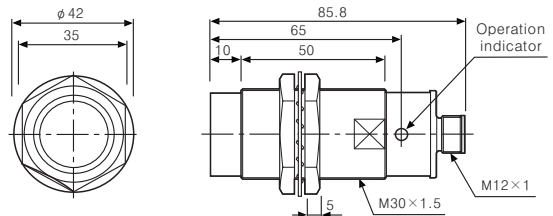
●PRCML18-8D□ / PRCML18-8A□



●PRCML30-10D□ / PRCML30-10A□



●PRCML30-15D□ / PRCML30-15A□



(A)  
Counter

(B)  
Timer

(C)  
Temp.  
controller

(D)  
Power  
controller

(E)  
Panel  
meter

(F)  
Tacho/  
Speed/  
Pulse  
meter

(G)  
Display  
unit

(H)  
Sensor  
controller

(I)  
Switching  
power  
supply

(J)  
Proximity  
sensor

(K)  
Photo  
electric  
sensor

(L)  
Pressure  
sensor

(M)  
Rotary  
encoder

(N)  
Stepping  
motor &  
Driver &  
Controller

(O)  
Graphic  
panel

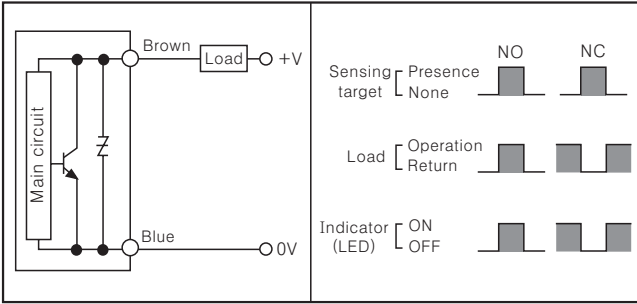
(P)  
Field  
network  
device

(Q)  
Production  
stoppage  
models &  
replacement

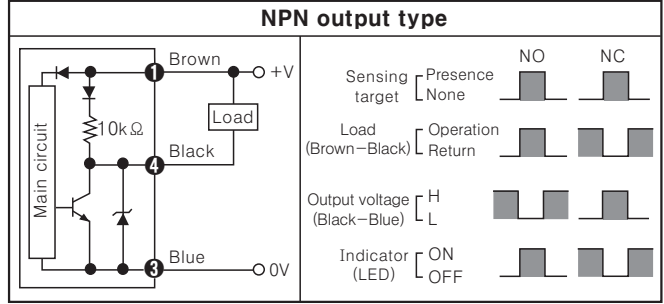
# PRCM Series

## Control output diagram

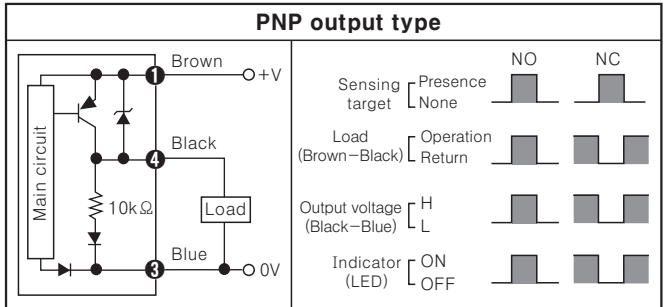
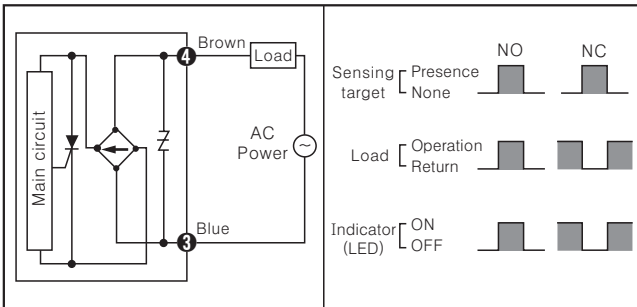
### DC 2-wire type



### DC 3-wire type



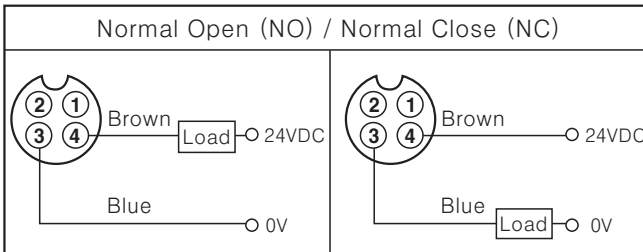
### AC 2-wire type



\*The number in a circle is pin no. of connector.

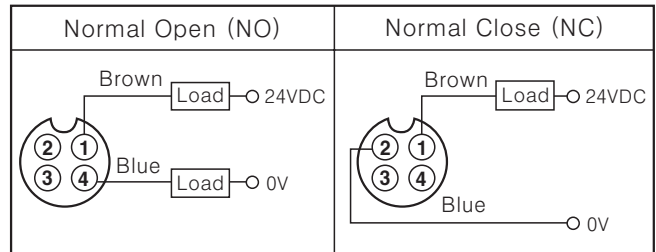
## Wiring diagram

### DC 2-wire type (Standard type)



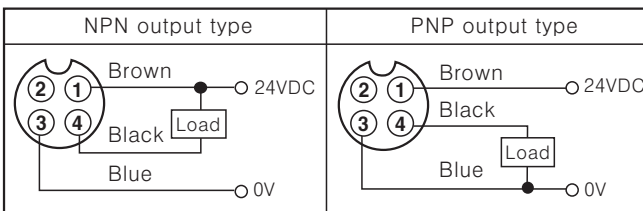
\*Pin ①, ② are N.C (Not Connected) terminals.  
\*For DC 3-wire type connector cable, it is available to use with black wire (24VDC) and blue wire (0V).

### DC 2-wire type (IEC standard type)



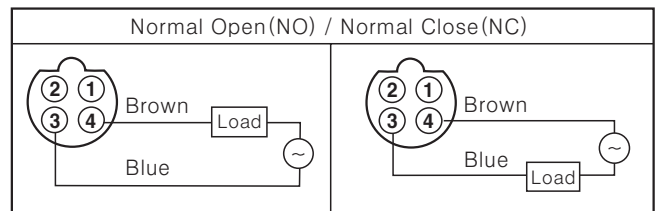
\*The pin arrangement of connector applying IEC standard is being developed.  
\*Please attach "I" at the end of the name of standard type for purchasing the IEC standard product. Ex) PRCMT12-4DO-I  
\*The connector cable for IEC standard is being developed. Please attach "I" at the end of the name of standard type. Ex) CID2-2-I, CLD2-5-I

### DC 3-wire



\*Please fasten the cleat of connector not to shown the thread. (0.39~0.49N·m)

### AC 2-wire



\*In AC inductive type, ② and ③, ① and ④ are connected inside of the connector cable.

\*Please fasten the vibration part with Teflon tape.  
\*See J-51 about IEC standard connector wires and specifications.