

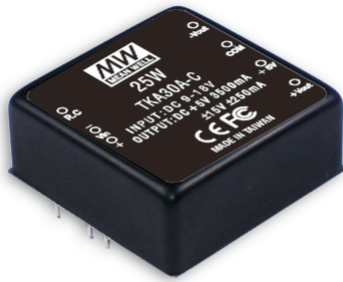
Distributed by:

JAMECO[®]
ELECTRONICS

www.Jameco.com ♦ 1-800-831-4242

The content and copyrights of the attached
material are the property of its owner.

Jameco Part Number 1953217



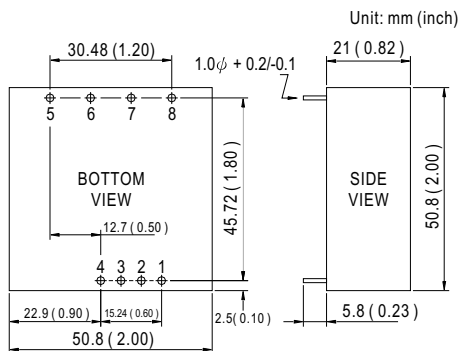
- Features :
 - 2:1 wide input range
 - 4:1 wide input range(option)
 - 1000VDC I/O isolation
 - Input Pi network filter
 - Remote ON-OFF control
 - Protections: Short circuit / Overload
 - Cooling by free air convection
 - Six-sided shield metal case
 - Epoxy encapsulated
 - 100% burn-in test
 - Approvals: FCC / CE
 - 1 year warranty



SPECIFICATION

| ORDER NO. | TKA30A-B | TKA30B-B | TKA30C-B | TKA30A-C | TKA30B-C | TKA30C-C |
|----------------------|------------------------------|--|--------------|--------------|--------------|----------|
| OUTPUT | DC VOLTAGE | +5V | ±12V | +5V | ±15V | |
| | CURRENT RANGE | 350 ~ 3500mA | ±31 ~ ±310mA | 350 ~ 3500mA | ±25 ~ ±250mA | |
| | RATED POWER | 25W | | | | |
| | RIPPLE & NOISE (max.) Note.2 | 100mVp-p | | | | |
| | LINE REGULATION Note.3 | ±0.5% | | | | |
| | LOAD REGULATION Note.4 | +5V: ±2.0%, ±V _i : ±5.0% | | | | |
| | VOLTAGE ACCURACY | +5V: ±2.0%, ±V _i : ±5.0% | | | | |
| | SWITCHING FREQUENCY | 100KHz min. | | | | |
| INPUT | VOLTAGE RANGE | A: 9 ~ 18VDC B: 18~36VDC C: 36~72VDC | | | | |
| | EFFICIENCY (Typ.) | 80% | 82% | 82% | 80% | 82% |
| | DC CURRENT | Full load A: 2.61A B: 1.27A C: 0.64A No load A: 40mA B: 18mA C: 10mA | | | | |
| | FILTER | Pi network | | | | |
| | REMOTE CONTROL | Power on: R.C ~-Vin > 4.5~5.5VDC or open, Power off: R.C ~-Vin <0.8VDC or short | | | | |
| PROTECTION (Note. 5) | OVERLOAD | 110 ~ 250% rated output power Protection type : Hiccup mode, recovers automatically after fault condition is removed | | | | |
| | SHORT CIRCUIT | All output equipped with short circuit Protection type : Hiccup mode, recovers automatically after fault condition is removed | | | | |
| ENVIRONMENT | WORKING TEMP. | -25 ~ +85°C (Refer to output load derating curve) | | | | |
| | WORKING HUMIDITY | 20% ~ 90% RH non-condensing | | | | |
| | STORAGE TEMP., HUMIDITY | -40 ~ +105°C, 10 ~ 95% RH | | | | |
| | TEMP. COEFFICIENT | ±0.03% / °C (0 ~ 50°C) | | | | |
| | VIBRATION | 10 ~ 500Hz, 2G 10min./1 cycle, period for 60min. each along X, Y, Z axes | | | | |
| SAFETY & EMC | WITHSTAND VOLTAGE | I/P-O/P:1KVDC | | | | |
| | ISOLATION RESISTANCE | I/P-O/P: 100M Ohms / 500VDC / 25°C / 70% RH | | | | |
| | EMI CONDUCTION & RADIATION | Compliance to EN55022 Class B, FCC part 15 Class B | | | | |
| | EMS IMMUNITY | Compliance to EN61000-4-2,3,4,5,6,8, light industry level, criteria A | | | | |
| OTHERS | MTBF | 100khrs min. MIL-HDBK-217F(25°C) | | | | |
| | DIMENSION | 50.8*50.8*21.0mm or 2"*2"*0.82" inch (L*W*H) | | | | |
| | WEIGHT | 110g | | | | |

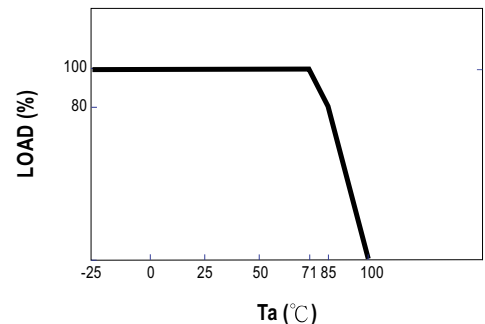
Mechanical Specification



Pin Configuration

| Pin No. | Output |
|---------|--------|
| 1 | R.C |
| 2 | No Pin |
| 3 | -Vin |
| 4 | +Vin |
| 5 | +Vout |
| 6 | +5V |
| 7 | COM |
| 8 | -Vout |

Derating Curve



NOTE

1. All parameters are specified at normal input, rated load, 25°C 70% RH Ambient.
2. Ripple & noise are measured at 20MHz by using a 12" twisted pair terminated with a 0.1uf & 47uf capacitor.
3. Line regulation is measured from low line to high line at rated load.
4. Load regulation is measured from 20% to 100% rated load.
5. Please prevent the converter from operating in overload or short circuit condition for more than 30 seconds.