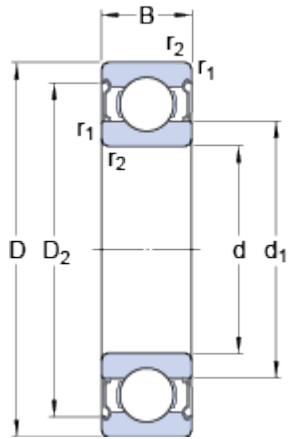


6309-2Z

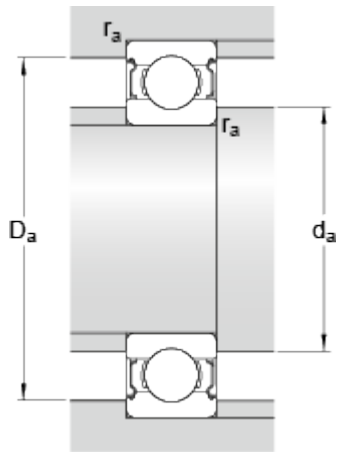
SKF Explorer

Dimensions



| | | | |
|------------------|------|-------|----|
| d | | 45 | mm |
| D | | 100 | mm |
| B | | 25 | mm |
| d ₁ | ≈ | 62.18 | mm |
| D ₂ | ≈ | 86.7 | mm |
| r _{1,2} | min. | 1.5 | mm |

Abutment dimensions



| | | | |
|----------------|------|------|----|
| d _a | min. | 54 | mm |
| d _a | max. | 62.1 | mm |
| D _a | max. | 91 | mm |
| r _a | max. | 1.5 | mm |

Calculation data

| | | | |
|---------------------------|----------------|-------|-------|
| Basic dynamic load rating | C | 55.3 | kN |
| Basic static load rating | C ₀ | 31.5 | kN |
| Fatigue load limit | P _u | 1.3 | kN |
| Reference speed | | 15000 | r/min |
| Limiting speed | | 7500 | r/min |
| Calculation factor | k _r | 0.03 | |
| Calculation factor | f ₀ | 13 | |

Mass

| | | | |
|--------------|--|-------|----|
| Mass bearing | | 0.869 | kg |
|--------------|--|-------|----|