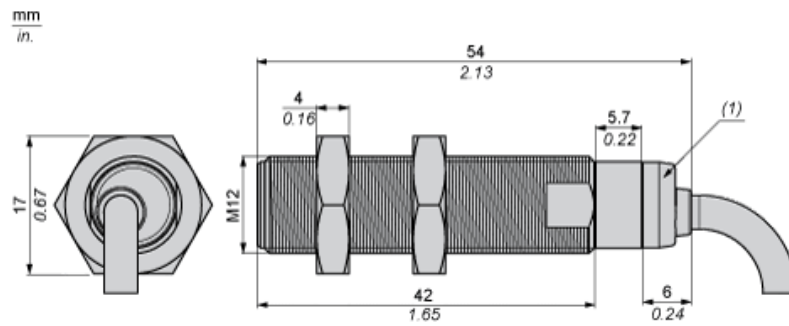


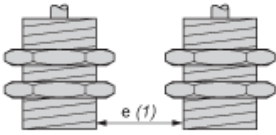
Dimensions



(1) LED

## Minimum Mounting Distances in mm

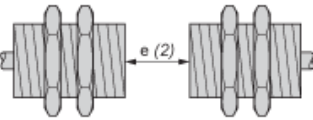
Side by side



e (1) 48 mm/1.89 in.

≥

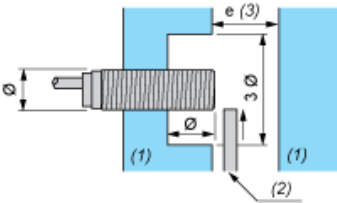
Face to face



e (2) 84 mm/3.31 in

≥

Facing a metal object



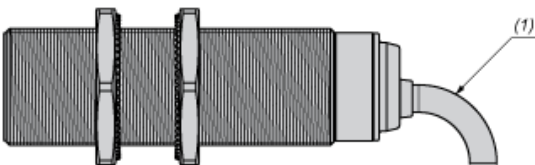
e (3) 21 mm/0.83 in.

≥

(1) Metal

(2) Object to be detected

## Mounting



(1) Bending cable: 4 x external cable diameter