



RSF50 Series

Compact internal fitting vertical



- **Compact design**
- **Available in Nylon, Polypropylene & PPS**
- **25VA & 100VA versions**
- **Many variants are UL recognised components File No. E171218**
- **WRAS approved versions**

Technical Specification	RSF53	RSF54	RSF58	RSF56
Material	Nylon	Polypropylene WRAS approved	Polypropylene UL approved	Polyphenylene Sulphide (PPS)
Colour	Black	Opaque	White	Grey
Temp. Range °C	-20 / +75	-20 / +100	-20 / +100	-10 / +120 *
°F	-4 / +167	-4 / +212	-4 / +212	+14 / +248 *
Min. Fluid SG	0.8	0.65	0.65	0.85
Must close level (SG=1)	11.5mm	15mm	15mm	9.5mm
Must open level (SG=1)	22.5mm	26mm	26mm	20.5mm

* Maximum temperature requires ETFE cable to be specified.

Electrical Specification		25W (Y code)	100W (H code)
Contact Form		N/O (N/C)	N/O (N/C)
Switching Power Max	VA	25	100
Switching Voltage AC Max	V	240	300
Switching Voltage DC Max	V	120	300
Switching Current Max	A	0.6	1

All ratings are for resistive load only.

RSF50 series are compact vertically mounted devices with a single switch point. Mounting is either from the top or bottom of a tank from the inside, so requires access to the inside of the tank.

Typical applications include vending machines, printing systems and chemical dosing equipment.

These can be manufactured in a variety of plastics, with a choice of gasket materials, to suit most commonly used liquids.

The switch action may be reversed by removing the float, inverting it, then refitting to the stem.

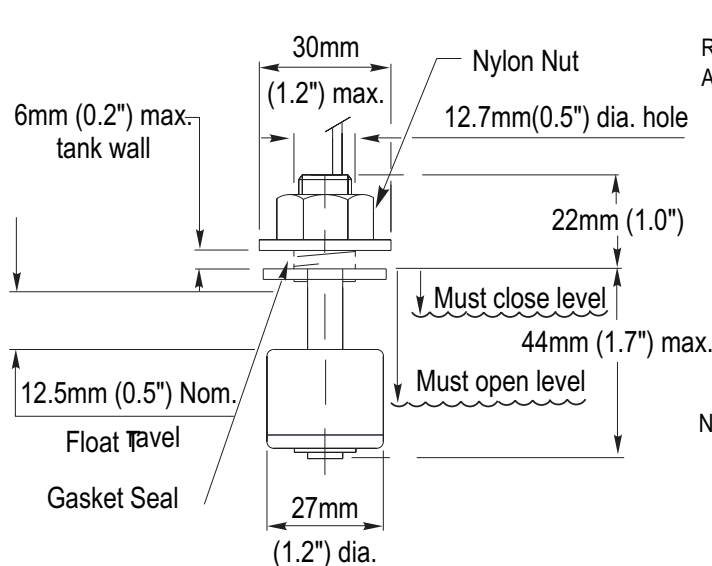
All the standard types are also available with 1/8" NPT tapered thread mounting (The last letter of the part number is replaced with 1/8.)

Standard Parts	Material	Temp Range	Max Power	Leadouts	Gasket	Approvals
RSF53H100RC	Nylon	-20°C to +75°C	100VA	100cm PVC 16/0.2	Nitrile	WRAS
RSF53Y100RC	Nylon	-20°C to +75°C	25A	100cm PVC 16/0.2	Nitrile	WRAS
RSF54H100RC	Polypropylene	-20°C to +100°C	100VA	100cm PVC 16/0.2	Nitrile	WRAS
RSF54Y100RC	Polypropylene	-20°C to +100°C	25VA	100cm PVC 16/0.2	Nitrile	WRAS
RSF56H050TB	PPS	-10°C to +120°C	100VA	50cm ETFE 19/0.2	Viton	WRAS & UL
RSF56H100RC	PPS	-10°C to +105°C	100VA	100cm PVC 16/0.2	Nitrile	WRAS & UL
RSF56Y050TB	PPS	-10°C to +120°C	25VA	50cm ETFE 19/0.2	Viton	WRAS & UL
RSF56Y100RC	PPS	-10°C to +105°C	25VA	100cm PVC 16/0.2	Nitrile	WRAS & UL
RSF58H100RC	PP (UL)	-20°C to +100°C	100VA	100cm PVC 16/0.2	Nitrile	UL
RSF58Y100RC	PP (UL)	-20°C to +100°C	25VA	100cm PVC 16/0.2	Nitrile	UL

Custom versions can be made for particular applications. Please contact Cynergy3 with your requirements.

Mechanical Dimensions

All dimensions are in millimeters (inches)



Thread sizes
RSF53/4/6 M12x1.75 Thread
Also available with 1/8" NPT Thread

Note: Float Chamber may be inverted for alternative switch action.

Cynergy3 Components Ltd.
7 Cobham Road
Ferndown Industrial Estate
Wimborne, Dorset BH21 7PE
Telephone +44 (0) 1202 897969

Email: sales@cynergy3.com

ISO9001 CERTIFIED

www.cynergy3.com