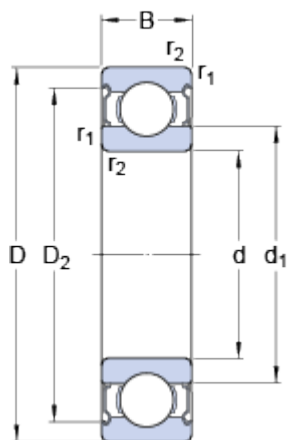


# 6303-2Z

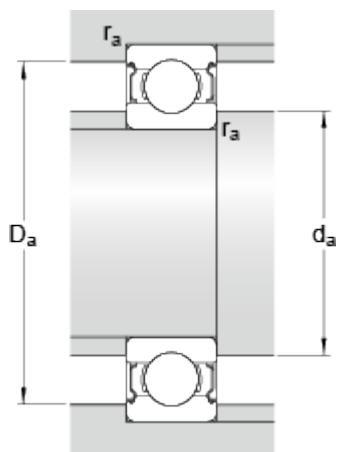
SKF Explorer

## Dimensions



d		17	mm
D		47	mm
B		14	mm
d <sub>1</sub>	≈	26.52	mm
D <sub>2</sub>	≈	39.58	mm
r <sub>1,2</sub>	min.	1	mm

## Abutment dimensions



d <sub>a</sub>	min.	22.6	mm
d <sub>a</sub>	max.	26.4	mm
D <sub>a</sub>	max.	41.4	mm
r <sub>a</sub>	max.	1	mm

## Calculation data

Basic dynamic load rating	C	14.3	kN
Basic static load rating	C <sub>0</sub>	6.6	kN
Fatigue load limit	P <sub>u</sub>	0.275	kN
Reference speed		34000	r/min
Limiting speed		17000	r/min
Calculation factor	k <sub>r</sub>	0.03	
Calculation factor	f <sub>0</sub>	12	

## Mass

Mass bearing		0.117	kg
--------------	--	-------	----