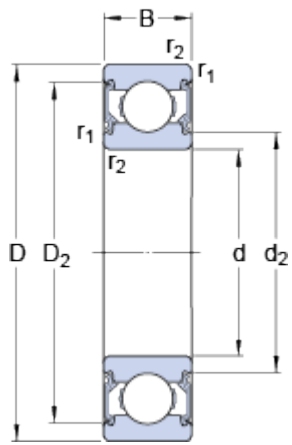


6003-2RSH

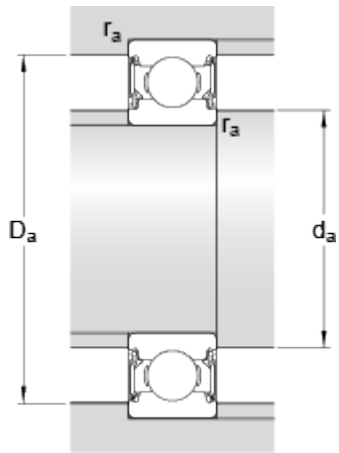
SKF Explorer

Dimensions



d		17	mm
D		35	mm
B		10	mm
d ₂	≈	20.45	mm
D ₂	≈	31.2	mm

Abutment dimensions



d _a	min.	19	mm
d _a	max.	20.5	mm
D _a	max.	33	mm
r _a	max.	0.3	mm

Calculation data

Basic dynamic load rating	C	6.4	kN
Basic static load rating	C ₀	3.2	kN
Fatigue load limit	P _u	0.137	kN
Limiting speed		13000	r/min
Calculation factor	k _r	0.025	
Calculation factor	f ₀	14	

Mass

Mass bearing		0.0394	kg
--------------	--	--------	----