



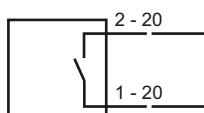
Model Number

40FR1-3

Features

- Magnetically actuated reed switch
- Hermetically sealed contacts
- AC/DC compatibility
- Matching permanent magnet

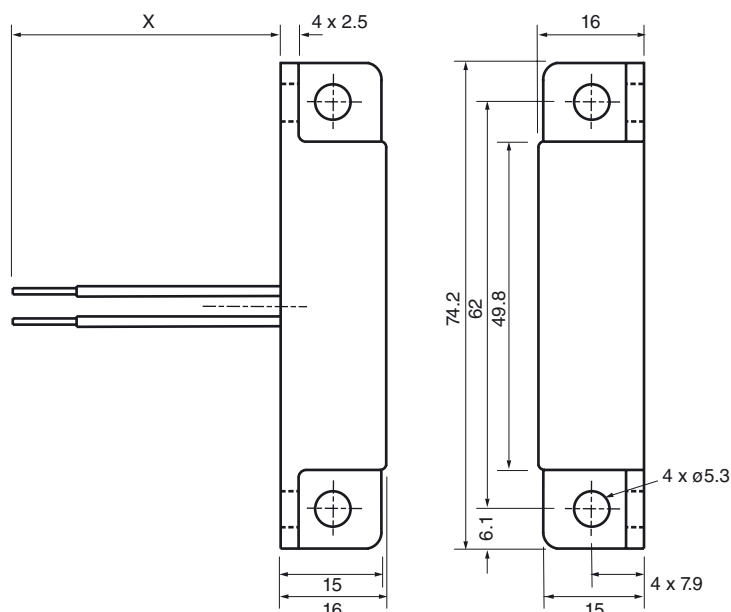
Connection



Accessories

41FR2
Magnetic actuator

Dimensions



Technical Data

General specifications

Switching element function	Reed Contact Normally Open
Rated operating distance	s_n 19.8 mm
Installation	not embeddable
Output polarity	AC/DC
Mechanical life	3×10^7 operations

Nominal ratings

Operating voltage	U_B	100 V DC, 250 mA 115 V AC, 250 mA
Hysteresis	H	≥ 2.54 mm
Contact resistance		0.15 Ω
Insulation resistance		≥ 100 M Ω at 200 V
Dielectric strength		200 V AC, 60 Hz
Release point		$\leq \leq 43$ mm

Electrical specifications

Electrical rating	AC supply: 10 VA, 132 V AC, 750 mA DC supply: 10 W, 100 V DC, 300 mA
-------------------	---

Ambient conditions

Ambient temperature	-40 ... 125 °C (-40 ... 257 °F)
---------------------	---------------------------------

Mechanical specifications

Connection type	cable PVDF, 914 mm according to Mil-W-81044/9
Core cross-section	0.5 mm ²
Housing material	Polycarbonate
Sensing face	Polycarbonate
Protection degree	IP68