



Main

Range of product	Magelis STO & STU
Product or component type	Touch panel screen
Software designation	Vijeo Designer
Operating system	Magelis
Processor name	CPU RISC

Complementary

Display size	3.4 inch
Display type	Backlit monochrome STN LCD
Background colour	Pink Red White
Pixel resolution	200 x 80 pixels
Touch panel	Analogue
Backlight lifespan	10000 hours (red) 50000 hours (pink)
Brightness	8 levels
Contrast	16 levels via touch panel
Character font	Taiwanese (traditional Chinese) ASCII Chinese (simplified Chinese) Japanese (ANK, Kanji) Korean
[Us] rated supply voltage	24 V DC +/- 20 %
Inrush current	>0.0 A...30.0 A
Local signalling	1 LED (green) for normal operation
Power consumption	5 W
Number of pages	Limited by internal memory capacity
Processor frequency	333 MHz
Port Ethernet	10/100BASE-TX
Memory description	Application memory, 16 MB Back up of data, 128 kB
Integrated connection type	1 USB (V2.0) port mini B USB Power supply removable screw terminal block 1 Ethernet TCP/IP 1 RJ45
Realtime clock	Access to the PLC real-time clock
Downloadable protocols	XWAY TCP/IP Modbus TCP/IP Third party protocols
Fixing mode	By 2 spring clips on 1.6...5 mm thick panel
Enclosure material	PPT
Marking	CE

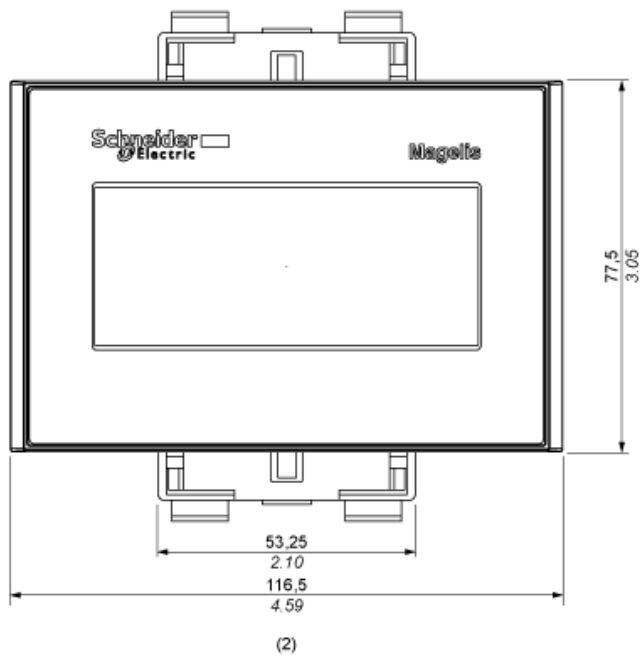
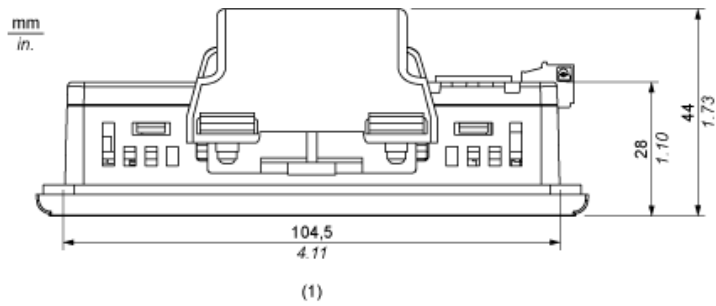
Environment

Immunity to microbreaks	>0.0 ms...3.0 ms
Standards	UL 508 EN 61131-2 FCC Class A IEC 61000-6-2 UL 1604
Product certifications	UL Class 1 Division 2 T5 CE C-Tick CULus UL Class 1 Division 2 T4A
Ambient air temperature for operation	0.0 °C...50.0 °C
Ambient air temperature for storage	-20.0 °C...60.0 °C
Relative humidity	0...90 % without condensation
Operating altitude	>0.0 m...2000.0 m
IP degree of protection	IP20 (rear panel) conforming to IEC 60529 IP65 (front panel) conforming to IEC 60529
NEMA degree of protection	NEMA 4X front panel (indoor use)
Shock resistance	15 gn for 11 ms conforming to IEC 60068-2-27
Vibration resistance	+/- 3.5 mm (f = 5...9 Hz) conforming to IEC 60068-2-6
Electromagnetic compatibility	Resistance to radiated electromagnetic fields : 10 V/m conforming to IEC 61000-4-3

Offer Sustainability

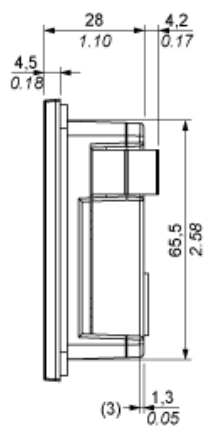
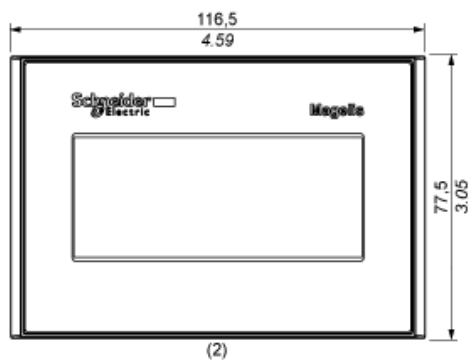
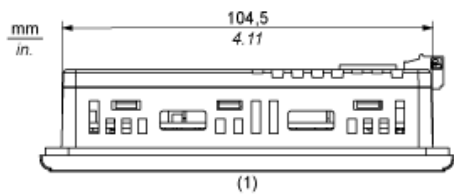
Sustainable offer status	Not Green Premium product
--------------------------	---------------------------

Dimensions with Spring Clips



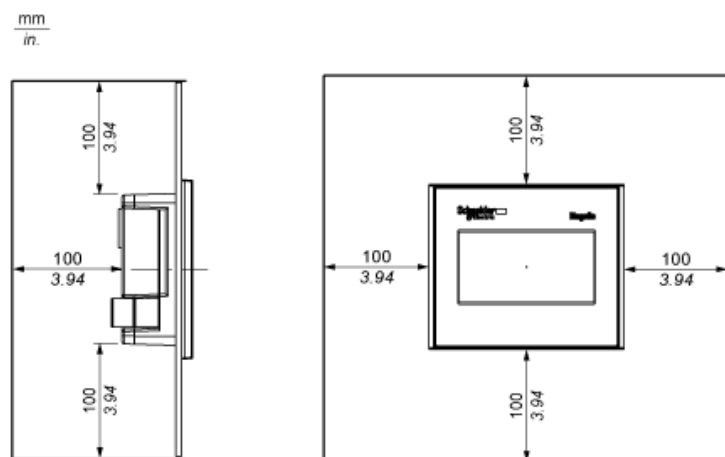
- (1) Top
- (2) Front

Dimensions without Spring Clips

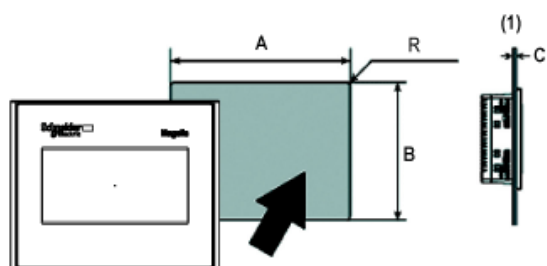


- (1) Top
- (2) Front
- (3) Right Side

Clearance



Panel Cut-out Dimensions



(1) Panel

A (mm)	A (in.)	B (mm)	B (in.)	C (mm) Spring Clips	C (in.) Spring Clips	R (mm)	R (in.)
+1	+0.04	+1	+0.04	1.5 to 6.0	0.059 to 0.236	2.0 to 3.0	0.078 to 0.118
105	4.13	66	2.59				
-0	-0	-0	-0				