



Power Bridge Rectifiers

SKD 25

Features

- Square plastic case with isolated metal base plate and fast-on connectors
- Blocking voltage to 1600 V
- High surge current
- Easy chassis mounting
- UL recognized, file no. E 63 532

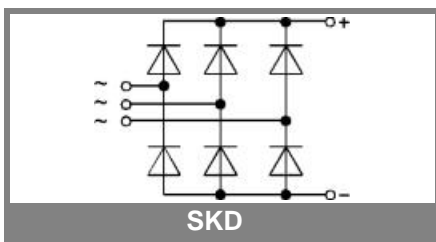
Typical Applications*

- Three phase rectifier for power supplies
- Input rectifiers for variable frequency drives
- Rectifier for DC motor field supplies
- Battery charger rectifiers
- Recommended snubber network: RC: 50 Ω, 0.1 μF ($P_R = 1 \text{ W}$)

- 1) Freely suspended or mounted on an insulator
- 2) Mounted on a painted metal sheet of min. 250 x 250 x 1 mm

| V_{RSM}, V_{RRM} V | V_{VRMS} V | $I_D = 20 \text{ A } (T_c = 73^\circ\text{C})$ Types | C_{max} μF | R_{min} Ω |
|-------------------------|-----------------|---|-----------------|----------------|
| 200 | | SKD 25/02 | | 0,15 |
| 400 | | SKD 25/04 | | 0,3 |
| 800 | | SKD 25/08 | | 0,7 |
| 1200 | | SKD 25/12 | | 1 |
| 1400 | | SKD 25/14 | | 1,2 |
| 1600 | | SKD 25/16 | | 1,5 |

| Symbol | Conditions | Values | Units |
|---------------|---|----------------|--------------------------------------|
| I_D | $T_a = 45^\circ\text{C}$, isolated ¹⁾ $T_a = 45^\circ\text{C}$, chassis ²⁾ | 3,5 12 | A A |
| I_{DCL} | $T_a = 45^\circ\text{C}$, isolated ¹⁾ $T_a = 45^\circ\text{C}$, chassis ²⁾ $T_a = ^\circ\text{C}$, | 3,5 12 | A A A |
| I_{FSM} | $T_{vj} = 25^\circ\text{C}$, 10 ms $T_{vj} = 150^\circ\text{C}$, 10 ms | 370 320 | A A |
| i^2t | $T_{vj} = 25^\circ\text{C}$, 8,3 ... 10 ms $T_{vj} = 150^\circ\text{C}$, 8,3 ... 10 ms | 680 500 | A ² s A ² s |
| V_F | $T_{vj} = 25^\circ\text{C}$, $I_F = 150 \text{ A}$ | max. 2,2 | V |
| $V_{(TO)}$ | $T_{vj} = 150^\circ\text{C}$ | max. 0,85 | V |
| r_T | $T_{vj} = 150^\circ\text{C}$ | max. 12 | mΩ |
| I_{RD} | $T_{vj} = 25^\circ\text{C}$, $V_{RD} = V_{RRM}$ $T_{vj} = ^\circ\text{C}$, $V_{RD} = V_{RRM} \geq V$ | 300 | μA μA |
| I_{RD} | $T_{vj} = 150^\circ\text{C}$, $V_{RD} = V_{RRM}$ $T_{vj} = ^\circ\text{C}$, $V_{RD} = V_{RRM} \geq V$ | 5 | mA mA |
| t_{tr} | $T_{vj} = 25^\circ\text{C}$ | 10 | μs |
| f_G | | 2000 | Hz |
| $R_{th(j-a)}$ | isolated ¹⁾ chassis ²⁾ | 15 4,7 | K/W K/W |
| $R_{th(j-c)}$ | total | 1,75 | K/W |
| $R_{th(c-s)}$ | total | 0,15 | K/W |
| T_{vj} | | - 40 ... + 150 | °C |
| T_{stg} | | - 55 ... + 150 | °C |
| V_{isol} | a. c. 50 ... 60 Hz; r.m.s.; 1 s / 1 min. | 3000 / 2500 | V~ |
| M_s | to heatsink | 2 ± 15 % | Nm |
| M_t | | | Nm |
| a | | | m/s ² |
| w | | 26 | g |
| F_u | | 20 | A |
| Case | | G 11b | |



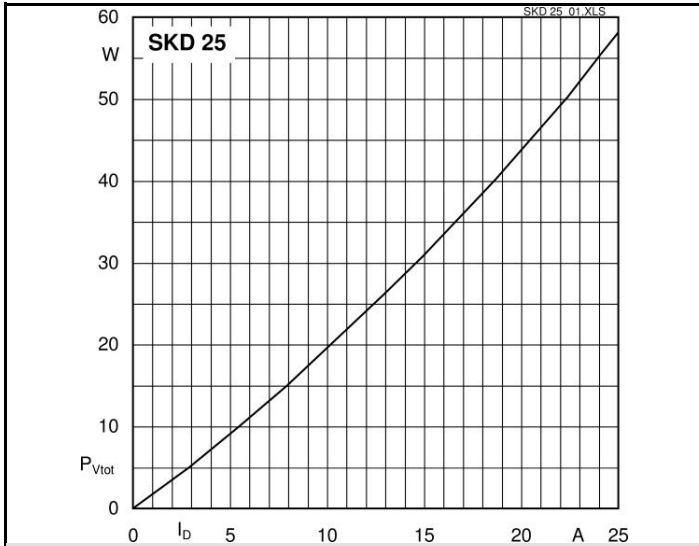


Fig. 3L Power dissipation vs. output current

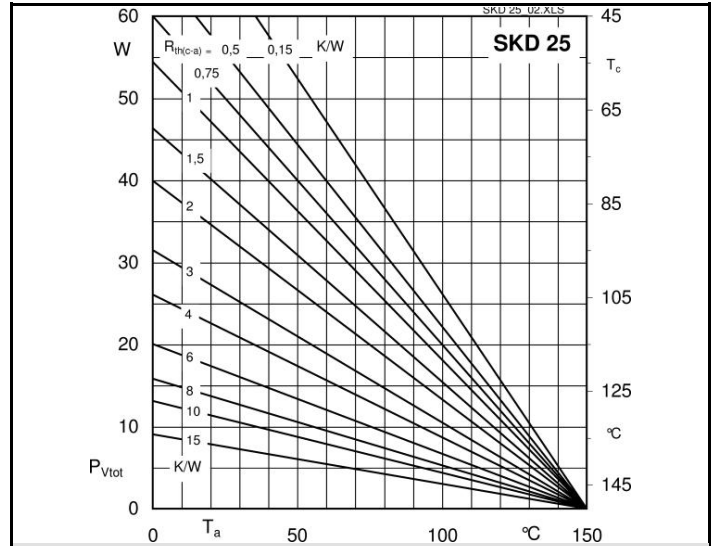


Fig. 3R Power dissipation vs. case temperature

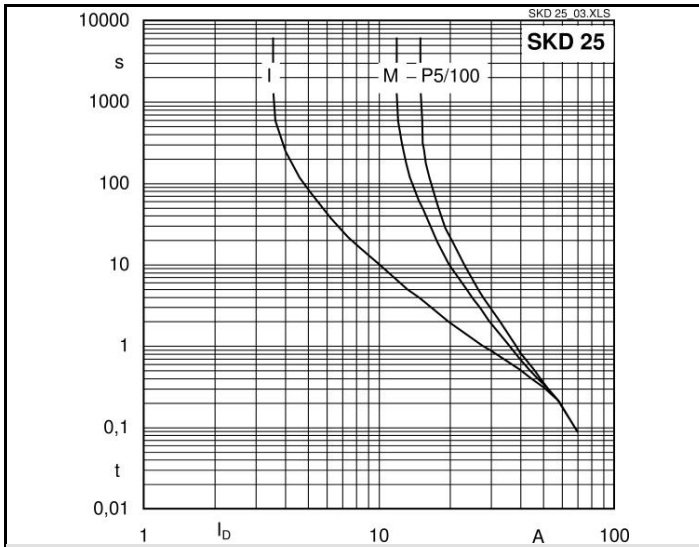


Fig. 6 Rated overload characteristics vs. time

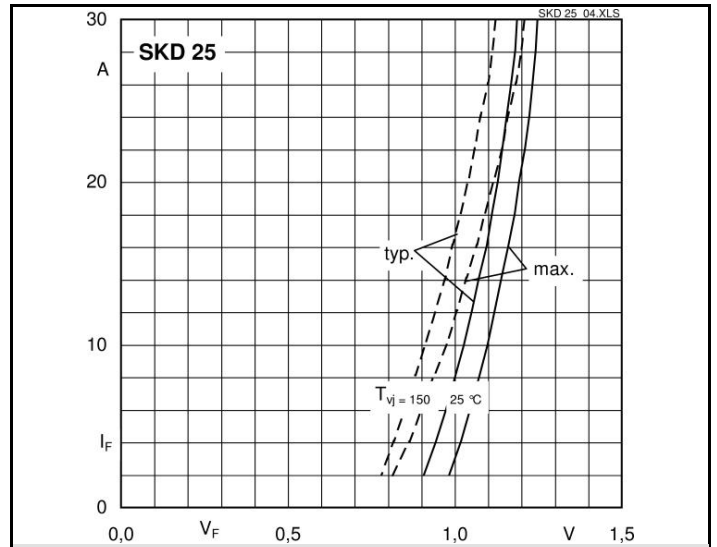
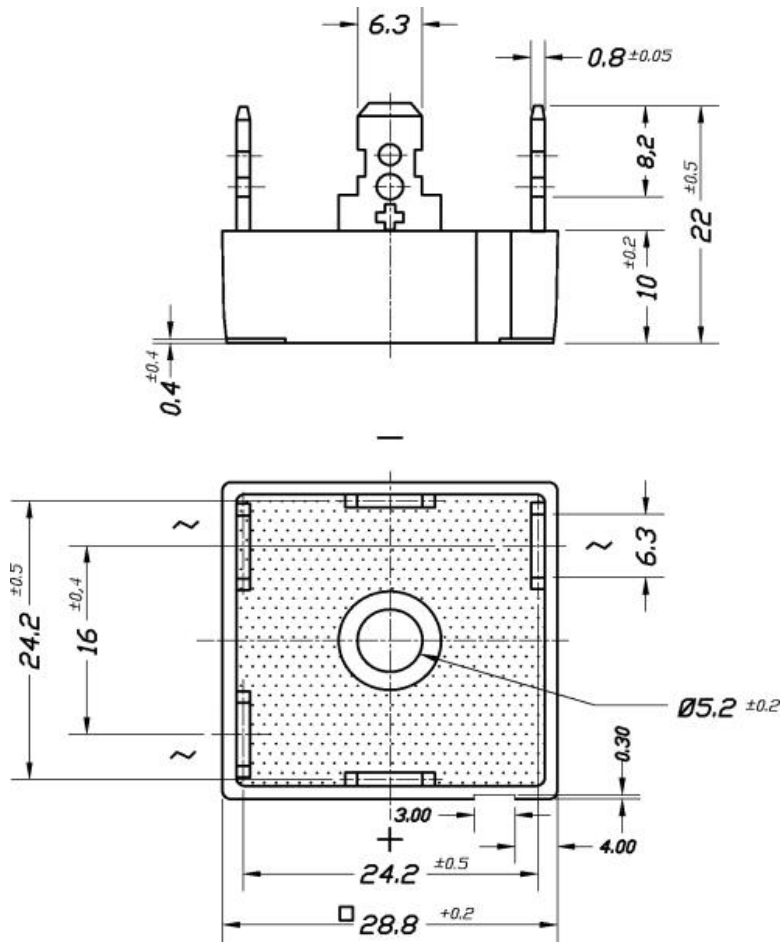


Fig. 9 Forward characteristics of a diode arm



Case G 11b

* The specifications of our components may not be considered as an assurance of component characteristics. Components have to be tested for the respective application. Adjustments may be necessary. The use of SEMIKRON products in life support appliances and systems is subject to prior specification and written approval by SEMIKRON. We therefore strongly recommend prior consultation of our personal.