

## Adjustment Guide

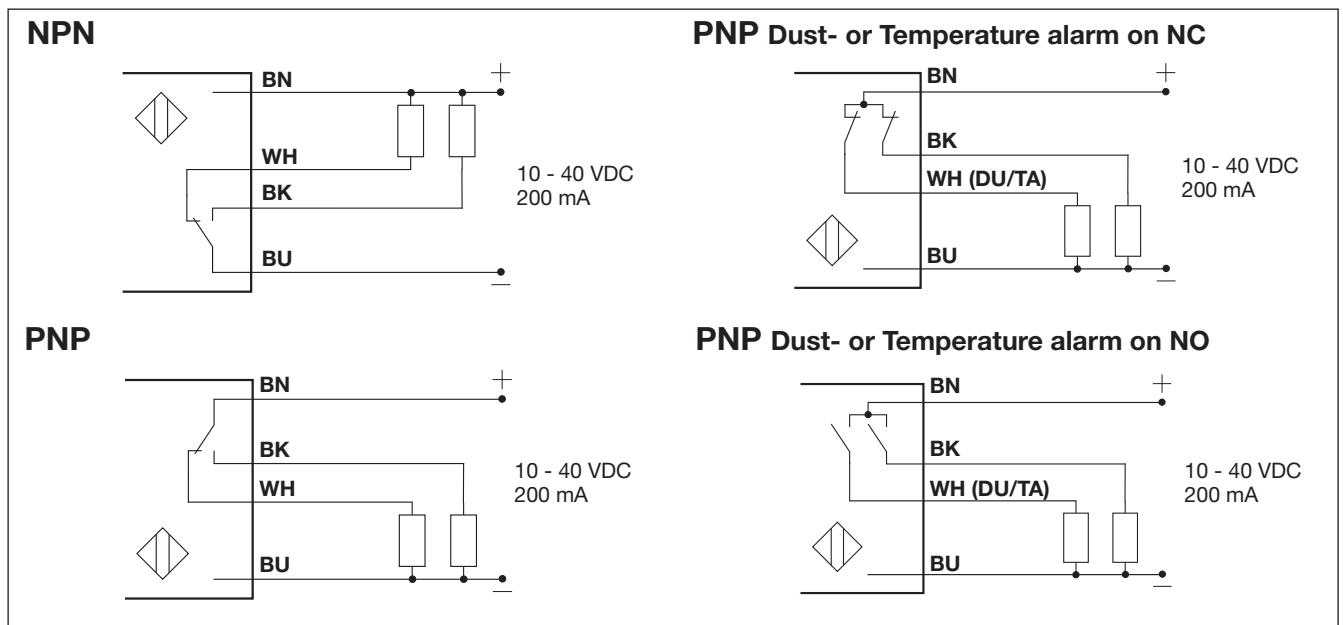
The environments in which capacitive sensors are installed can often be unstable as regards to temperature, humidity, object distance and industrial (noise) interference. Because of this, Carlo Gavazzi offers

as standard features in all TRIPLESHIELD™ capacitive sensors a user-friendly sensitivity adjustment instead of a fixed sensing range. Likewise, these sensors provide an extended sensing range to accommodate

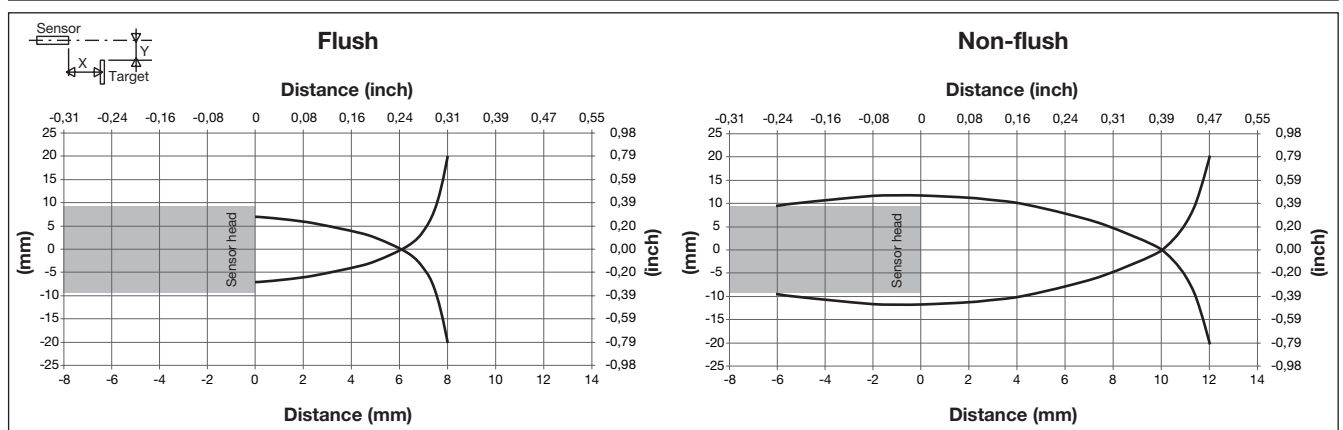
mechanically demanding areas and temperature stability to ensure high immunity to electromagnetic interference (EMI) and a minimum need for adjusting sensitivity if the temperature varies.

**Note:** Sensors are factory set (default) to nominal sensing range  $S_n$ .

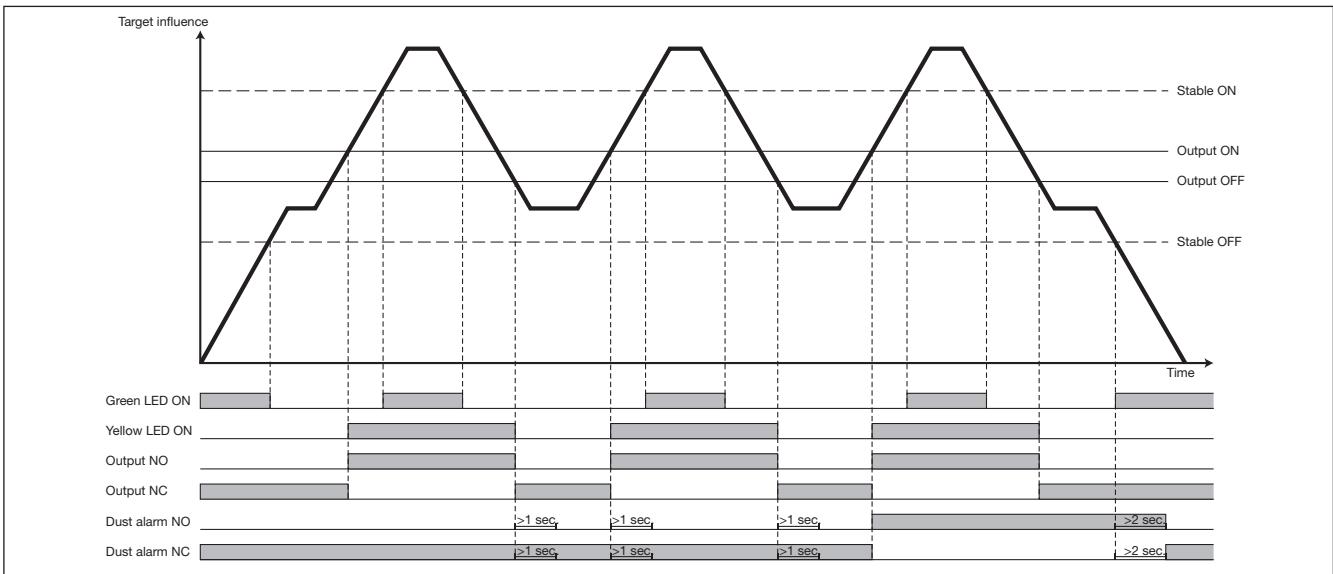
## Wiring Diagram



## Detection Diagram



## Detection Stability Indication



## Dimensions

