



Representative photograph, actual product appearance may vary.

Due to regional agency approval requirements, some products may not be available in your area. Please contact your regional Honeywell office regarding your product of choice.

SS94A2

SS94 Series Noise Shielded Ratiometric Linear Sensor; Vdc supply voltage

Features

- Single current sinking or current sourcing linear output
- Improved temperature stability
- Standard mounting centers
- Laser trimmed thin film and thick film resistors minimize sensitivity variations and compensate for temperature variations

Description

The SS9 utilizes a Hall effect integrated circuit chip which provides increased temperature stability and performance. Laser trimmed thick film resistors on the ceramic substrate and thin film resistors on the integrated circuit reduce null and gain shifts over temperature which results in consistent sensitivity from one device to the next.

APPLICATION CONSIDERATION: The output is clamped at the high end. Clamping voltage may be as low as 9 Vdc. The output will not exceed the clamping voltage regardless of field strength or power supply.



SS94A2

SS94 Series Noise Shielded Ratiometric Linear Sensor; Vdc supply voltage

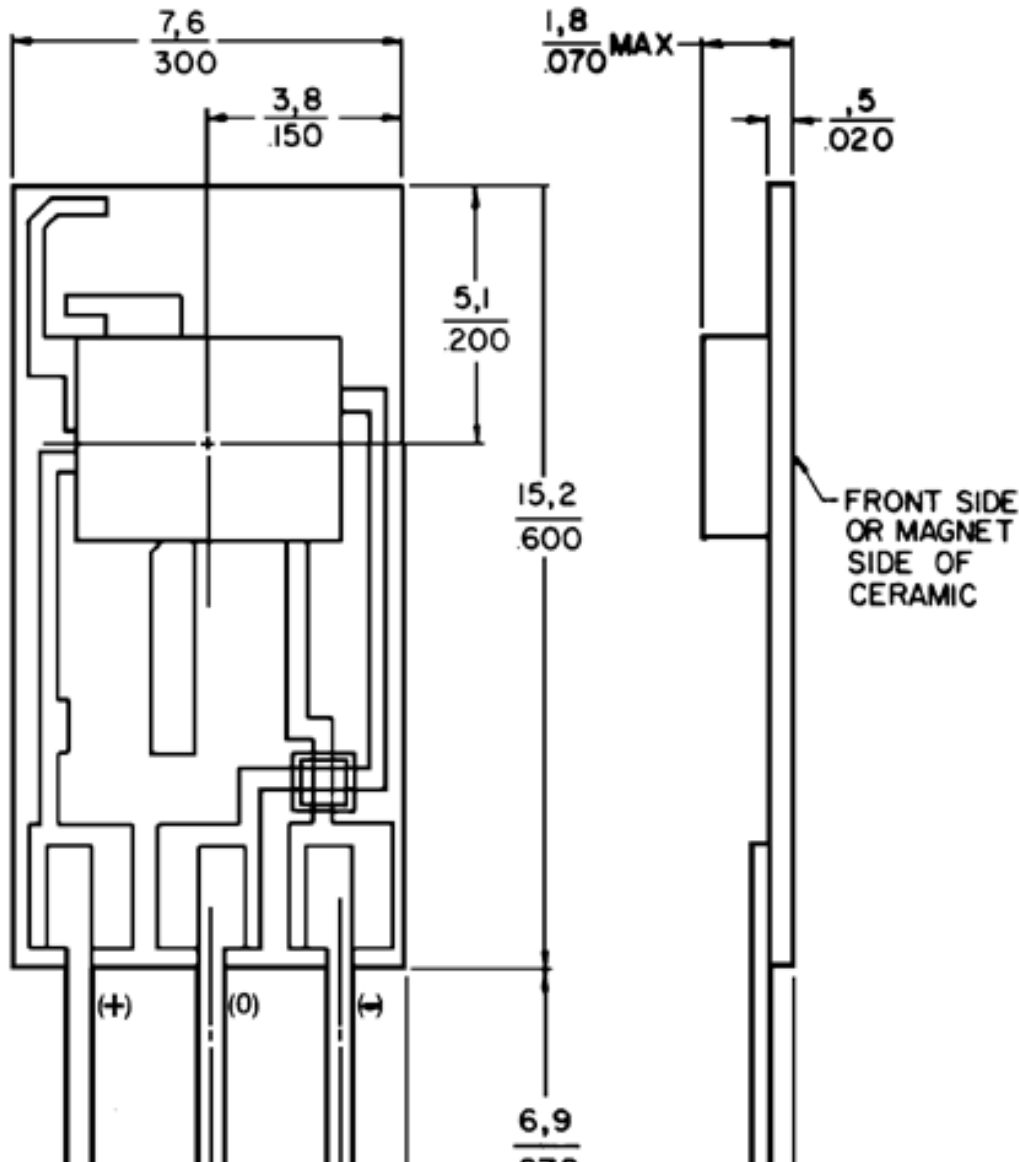
Product Specifications	
Product Type	Hall-Effect Linear Position Sensor
Package Style	Ceramic
Supply Voltage	6.6 Vdc to 12.6 Vdc
Output Type	Sink/Source
Magnetic Actuation Type	Ratiometric
Operating Temperature Range	-40 °C to 125 °C [-40 °F to 257 °F]
Linearity (% of Span)	-0.8 % typ., -1.5 % max.

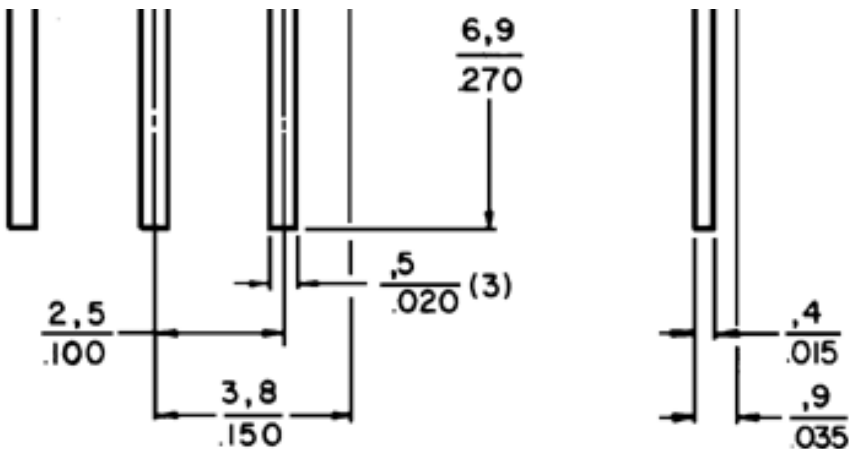
Availability	Global
Supply Current (max. @ 25 °C)	30 mA
Output Current (max.)	1 mA
Sensitivity @ 25 °C	5.0 mV ± .1 mV/G
Temperature Error (@ 25 °C) Null Shift (%/°C)	-0.02 % min., 0.02 % max.
Temperature Error (@ 25 °C) Sensitivity (%/°C)	-0.02 % min., 0.02 % max.
Magnetic Range (min.)	-50 mT to 50 mT [-500 G to 500 G]
Response Time (µs)	3 µs (typ.)
Vout (0 G @ 25 °C)	4.00 Vdc ± 0.04 Vdc
Series Name	SS94 Series



SS94A2

SS94 Series Noise Shielded Ratiometric Linear Sensor; Vdc supply voltage





SS94A2

SS94 Series Noise Shielded Ratiometric Linear Sensor; Vdc supply voltage

WARNING

PERSONAL INJURY

DO NOT USE these products as safety or emergency stop devices, or in any other application where failure of the product could result in personal injury.

Failure to comply with these instructions could result in death or serious injury.

WARNING

MISUSE OF DOCUMENTATION

- The information presented in this product sheet (or catalog) is for reference only. DO NOT USE this document as product installation information.
- Complete installation, operation and maintenance information is provided in the instructions supplied with each product.

Failure to comply with these instructions could result in death or serious injury.