

# 19"- Power Supplies PK-Series

AC-DC



- PK30
- PK60
- PK60-R
- PK120
- PK125
- PK250

pk30  
pk60  
pk60-r  
pk120  
pk125  
pk250  
pk30  
pk60  
pk60-r  
pk120  
pk125  
pk250

# PK-Series: MONOVOLT

Primary switched mode power supplies for use in 19" subracks to DIN41494, 30 to 240 Watt output power.

## Features

- Compact, rugged design
- high regulation accuracy
- Safety to approvals UL, cUL and EN60950
- CE marked for compliance to EMC and Low Voltage Directives
- SENSE operation
- Overvoltage protection (OVP)
- Powerfail signal
- Remote On/Off
- Short circuit and no load protected
- Coded H15 connector
- Standardized pinning



PK-Series MONOVOLT Power Supplies

## Ordering information

### Description:

PK Series Power Supplies 30W Output power			Order-Code
Type	Output	without Powerfail	with Powerfail
PK30 3Ux8HP	5V/6A	116-010016D*	-
PK30 3Ux8HP	12-15V/2A	116-010215H	-
PK30 3Ux8HP	24V/1,5A	116-010216E	-

### Description: PK Series; 60Watt Output power

PK60 3Ux8HP	3,3V/15A	116-010196L	-
PK60 3Ux8HP	5V/12A	116-010063D*	116-010074H*
PK60 3Ux8HP	12V/5A	116-010064A*	-
PK60 3Ux8HP	15V/4A	116-010065J*	-
PK60 3Ux8HP	24V/2,5A	116-010066F*	116-010077K*
PK60-R 3Ux8HP	5V/12A	116-010128L#	-
PK60-R 3Ux8HP	12V/5A	116-010219G#	-
PK60-R 3Ux8HP	15V/4A	116-010220H#	-
PK60-R 3Ux8HP	24V/2,5A	116-010129H#	-

### Description: PK Series; 120Watt Output power

PK120 3Ux14HP	5V/20A	116-010069H	116-010081B
PK120 3Ux14HP	12V/10A	116-010070J	116-010082K
PK120 3Ux14HP	15V/8A	116-010071F	-
PK120 3Ux14HP	24V/5A	116-010072C	116-010084D

### Description: PK Series; 240Watt Output power

PK240 3Ux24HP	5V/45A	-	116-010163K
PK240 6Ux14HP	5V/45A	-	116-010125J
PK240 3Ux24HP	12V/20A	-	116-010164G
PK240 6Ux14HP	12V/20A	-	116-010126F
PK240 3Ux24HP	24V/10A	-	116-010165D
PK240 6Ux14HP	24V/10A	-	116-010127C

### Accessories:

Reduced height front panel: PK30	148-010012F
Reduced height front panel: PK60	148-010021E
Reduced height front panel: PK120	148-010019G
Mating connector coded H15 to DIN 41612	017-010115K
Coding keys (pkt10)	017-010064F
Mating connector coded DIN 41612, H15+2HA/L Faston	017-010138K

For applications ruled under EN 61000-3-2, we recommend the use of the **VP80** series.

## Technical Data PK Series: Monovolt

### Input specification

Input voltage (switchable):	115/230VAC
Input frequency:	47-63Hz
Inrush surge current limitation:	by NTC resistor m20A (cold start)
Input overvoltage protection:	by VDR
Hold up time (Nominal $V_{IN}$ ; 100% $I_{OUT}$ ):	>20ms
Efficiency:	typ. >80%

### Safety (Compliant with Low Voltage Directive 73/23/EEC)

Certified to, or meets the requirement of: EN60950, UL1950

### EMC (Compliant with EMC Directive 89/336/EEC)

Emmissions:	EN 55022/B (0,15-30Mhz); EN 55022/B (30-1000MHz)
Immunity:	EN 50082-2
Electro Static Discharge:	EN 61000-4-2
Electrical fast transients/Burst:	EN 61000-4-4
RF Conducted disturbance:	EN 50141
RF Field susceptibility:	EN 50140

### Environmental

Operating temperature:	0°C to +70°C
Storage temperature:	-25°C to +85°C
Relative humidity:	Non-condensing 5% - 95%

### Physical

Case material/finish: Clear anodised, ventilated aluminium cassette with cooling cutouts and front or rear heat sinks as required.  
DIN 41494 part 5 compatible

\* EN60950 and UL certified

# EN60950 and cUL certified

# PK Series: MONOVOLT

## Output specification

PK30	V1	V1	V1
Output voltage:	<b>5V</b>	<b>12V</b>	<b>24V</b>
Output adjustment range:	4,8-5,5V	12-15V	22-26V
Output current:	<b>0-6A</b>	<b>0-2,5A</b>	<b>0-1,5A</b>
Ripple:	<40mV <sub>PP</sub>	<20mV <sub>PP</sub>	<20mV <sub>PP</sub>
Line regulation (100% I <sub>OUT</sub> ): Δ iV <sub>OUT</sub>	<0,2%	<0,02%	<0,02%
Load regulation static (10...90% I <sub>OUT</sub> ): Δ iV <sub>OUT</sub>	<0,2%	<0,5%	<0,5%
Transient response (10...90% I <sub>OUT</sub> ):		1ms	
Switching frequency, converter type:		20-50kHz fly back converter	
Current limit:	>6,5A	>2,6A	>1,5A
Short circuit protection:		continuous, automatic restart	
Overvoltage protection (OVP):	6-6,7V	-	-
Powerfail-Signal (at full load) >6ms before V <sub>OUT</sub> :		-	-
Temperature-coefficient/°C:		0,02%	
Voltage compensation with SENSE max., NOTE 1:		0,5V	
Derating:		1W/°C above 55°C	

PK60	V1	V1	V1	V1	V1
Output voltage:	<b>3,3V</b>	<b>5V</b>	<b>12V</b>	<b>15V</b>	<b>24V</b>
Output adjustment range:	1,8-3,5V	4,5-5,5V	11-13V	13,5-16,5V	22-26V
Output current:	<b>0-15A</b>	<b>0-12A</b>	<b>0-5A</b>	<b>0-4A</b>	<b>0-2,5A</b>
Ripple:			<40mV <sub>PP</sub>		
Line regulation (100% I <sub>OUT</sub> ): Δ iV <sub>OUT</sub>	<0,3%	<0,3%	<0,2%	<0,2%	<0,2%
Load regulation static (10...90% I <sub>OUT</sub> ): Δ iV <sub>OUT</sub>			<0,2%		
Transient response (10...90% I <sub>OUT</sub> ):	1ms	0,8ms	0,5ms	0,5ms	0,5ms
Switching frequency, converter type:			100kHz forward converter		
Current limit:	>15,5A	>12,5A	>5,3A	>4,3A	>2,7A
Short circuit protection:			continuous, automatic restart		
Overvoltage protection (OVP):	2,8-5,0V	5,5-6,0V	13,2-15,0V	16,5-18,0V	26,4-30,0V
Powerfail-Signal (at full load) >6ms before V <sub>OUT</sub> :		-	-		
Temperature-coefficient/°C:			0,02%		
Voltage compensation with SENSE max., NOTE 1:			0,5V		
Derating:			1,6W/°C above 45°C		

PK60-Redundant	V1	V1	V1	V1
Output voltage: (fixed):	<b>5V±1%</b>	<b>12V±1%</b>	<b>15V±1%</b>	<b>24V±1%</b>
Output current:	<b>0-12A</b>	<b>0-5A</b>	<b>0-4A</b>	<b>0-2,5A</b>
Ripple:			<40mV <sub>PP</sub>	
Line regulation (100% I <sub>OUT</sub> ): Δ iV <sub>OUT</sub>			<0,2%	
Load regulation static (10...90% I <sub>OUT</sub> ): Δ iV <sub>OUT</sub>			<0,2%	
Transient response (10...90% I <sub>OUT</sub> ):			1ms	
Switching frequency, converter type:			100kHz forward converter	
Current limit:	>12,5A	>5,3A	>4,3A	>2,7A
Short circuit protection:			continuous, automatic restart	
Overvoltage protection (OVP):	6,0-6,7V	13,2-15,0V	16,5-18,0V	27,0-29,0V
Temperature-coefficient/°C:			0,02%	
Current sharing at redundant use with ASF signal:	>2,4A	>1,0A	>0,8A	>0,5A
Voltage compensation with SENSE max., NOTE 1:			0,5V	
DC-FAIL signal:	Active low when unit fails (NPN-open collector signal; 20mA; I <sub>O,4A</sub> )			
Derating:			2W/°C above 55°C	

# PK Series: MONOVOLT

## Output specification

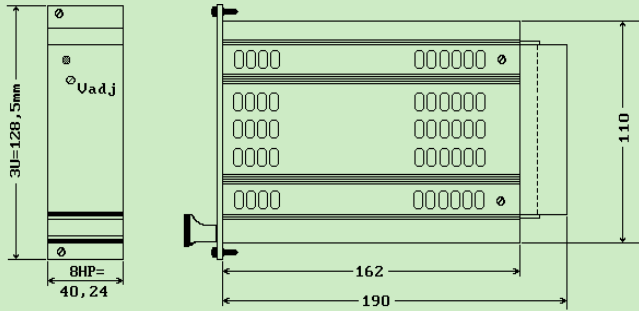
PK120	V1	V1	V1	V1
Output voltage:	<b>5V</b>	<b>12V</b>	<b>15V</b>	<b>24V</b>
Output adjustment range:	4,5-5,5V	10,8-13,2V	13,5-16,5V	21,6-26,4V
Output current:	<b>0-20A</b>	<b>0-10A</b>	<b>0-8A</b>	<b>0-5A</b>
Ripple:			>40mV <sub>PP</sub>	
Line regulation (100% I <sub>OUT</sub> ): Δ iV <sub>OUT</sub>			>0,2%	
Load regulation static (10...90% I <sub>OUT</sub> ): Δ iV <sub>OUT</sub>			>0,2%	
Transient response (10...90% I <sub>OUT</sub> ):			0,5ms	
Switching frequency, converter type:			100kHz forward converter	
Current limit:	>22A	>11A	>8,8A	>5,5A
Short circuit protection:			continuous, automatic restart	
Overvoltage protection (OVP):	5,0-7,0V	12,0-16,5V	15,0-21,0V	27,0-29,0V
Powerfail-Signal (at full load) >6ms before V <sub>OUT</sub> :	>4,8V	>11,5V	>14,4V	>23,0V
Temperature-coefficient/°C:			0,02%	
Voltage compensation with SENSE max.NOTE 1:			0,5V	
Derating:			2,4W/°C above 55°C	

PK240	V1	V1	V1
Output voltage:	<b>5V</b>	<b>12V</b>	<b>24V</b>
Output adjustment range:	4,5-5,5V	11-13V	22-26V
Output current:	<b>0-45A</b>	<b>0-20A</b>	<b>0-10A</b>
Ripple:			>40mV <sub>PP</sub>
Line regulation (100% I <sub>OUT</sub> ): Δ iV <sub>OUT</sub>	>0,2%	>0,35%	>0,5%
Load regulation static (10...90% I <sub>OUT</sub> ): Δ iV <sub>OUT</sub>			>0,2%
Transient response (10...90% I <sub>OUT</sub> ):			0,5ms
Switching frequency, converter type:			45kHz push-pull converter
Current limit:	>46A	>22A	>12A
Short circuit protection:			continuous, automatic restart
Overvoltage protection (OVP):	5,5-6,5V	14,0-18,0V	26,4-30,0V
Powerfail-Signal (at full load) >6ms before V <sub>OUT</sub> :	>4,8V	>11,5V	>23V
Temperature-coefficient/°C:			0,02%
Voltage compensation with SENSE max.NOTE 1:			0,5V
Derating:			3HE: 8W/°C above 55°C, 6HE: 4W/°C above 55°C

# PK Series: MONOVOLT

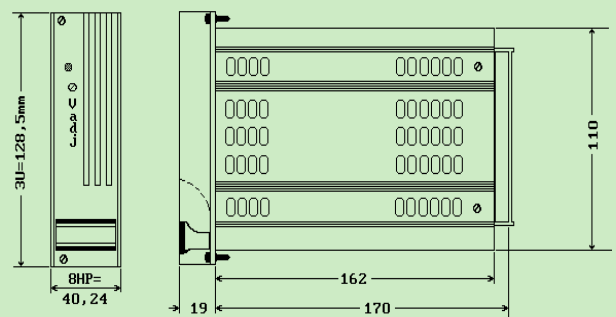
## Mechanical details

### PK30, PK60

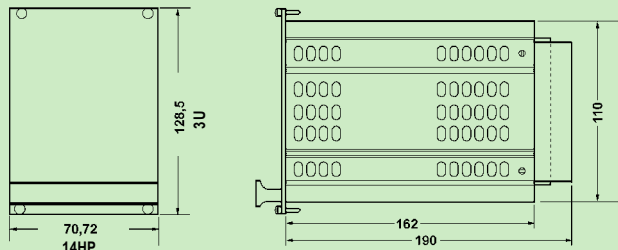


Weight: PK30, PK60, PK60R 850g

### PK 60-R

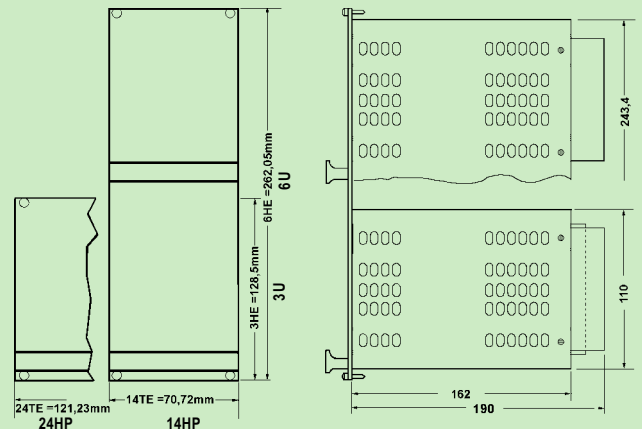


### PK120



Weight: PK120 1350g

### PK240



Weight: PK240 2200g

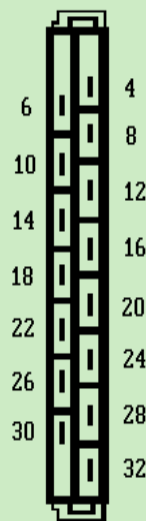
### Connector pin allocation H15-Connector

PN	Function PK30	Function PK60	Function PK60-R	Function PK120
4	+Vout	+Vout	+Vout	+Vout
6	+Vout	+Vout	+Vout	+Vout
8	-Vout	-Vout	-Vout	-Vout
10	-Vout	-Vout	-Vout	-Vout
12 <small>Anm. 1</small>	+SENSE	+SENSE	+SENSE	+SENSE
14 <small>Anm. 1</small>	-SENSE	-SENSE	-SENSE	-SENSE
16	—	Ext I/O+	—	Ext I/O+
18	—	PF <sub>Q</sub>	DC FAIL	PF <sub>Q</sub>
20	—	—	ASF	—
22	—	PF <sub>Q</sub>	—	PF <sub>Q</sub>
24	—	Ext I/O-	—	Ext I/O-
26	—	—	—	—
28	N	N	N	N
30	L	L	L	L
32	E	E	E	E

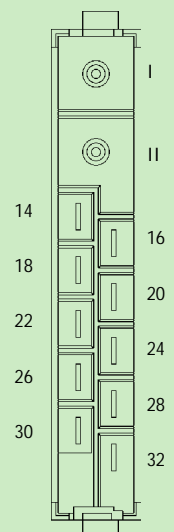
### Connector pin allocation H15+2HA-Connector

PN	Function PK240
I	+Vout
II	-Vout
14 <small>Note. 1</small>	+SENSE
16 <small>Note. 1</small>	-SENSE
22	Ext on/off
24	PF <sub>Q</sub>
28	N
30	L
32	E

H15-connector



H15+2HA-Connector



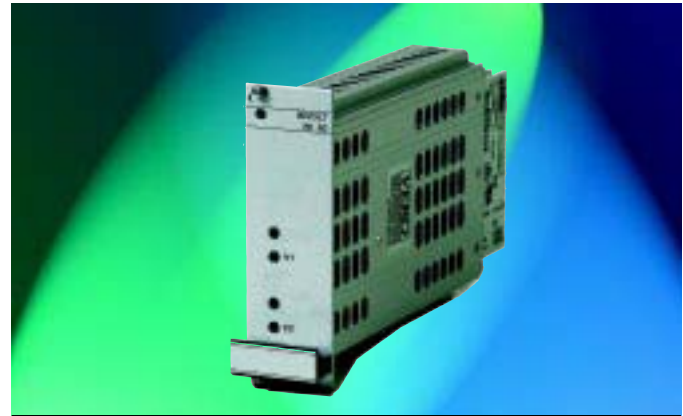
Note1: Sense lines must be connected. For maximum compensation for supply lead voltage drop they should be connected as close to the load as possible

# PK-Series: BIVOLT

Primary switched mode power supplies for use in 19" subracks to DIN41494, 30 or 60 Watt output.

### Features

- High regulation accuracy
- Voltages adjustable
- Compact, rugged design
- Safety approvals to UL, cUL and EN60950
- CE marked for compliance to EMC and Low Voltage Directives
- SENSE operation (5V output)
- Overvoltage (OVP) and short circuit protected
- Remote On/Off
- No minimum load required
- Coded H15 connector
- Standardized pinning



PK Series Bivolt Plug-in Power Supplies

### Ordering information

**Description: Bivolt PK30, PK60; 30 and 60 Watt outputs**

Model	Output voltage	Order code
PK30 3U x 8HP	±12 - 15V/1A	116-010015G*

**Description: Bivolt PK60, 60 Watt outputs**

PK60-A 3U x 8HP	±12-15V/2A	116-010022A#
PK60-A 3U x 8HP	5V/6A;12-15V/2A	116-010024F#
PK60-C 3U x 8HP	5V/6A;24V/1,5A	116-010025C#
PK60-D 3U x 8HP	12-15V/2A;24V/1,5A	116-010080E#

### Accessories:

Reduced height front panel (PK30)	148-010013C
Reduced height front panel (PK60)	148-010011J
Mating connector coded H15 to DIN 41612	017-010115K
Coding keys (pkt 10)	017-010064F

### Technical Data PK Series: Bivolt

#### Input specification

Input voltage selectable:	115/230VAC
Input frequency:	47-63Hz
Inrush surge current limitation:	by NTC resistor
Input overvoltage protection:	by VDR
Hold up time (Nominal $V_{IN}$ ; 100% $I_{OUT}$ ):	>20ms
Efficiency:	typ. >75%

#### Safety (Compliant with Low Voltage Directive 73/23/EEC)

Certified to:	EN60950, UL1950
---------------	-----------------

#### EMC (Compliant with EMC Directive 89/336/EEC)

Emmissions: EN 55022/B (0,15-30MHz); EN 55022/B (30-1000MHz)	
Immunity: EN 50082-2	
Electro Static Discharge: EN 61000-4-2	
Electrical fast transients/Burst: EN 61000-4-4	
RF Conducted disturbance: EN 50141	
RF Field susceptibility: EN 50140	

#### Environmental

Operating temperature:	0°C to +70°C
Storage temperature:	-25°C to +85°C
Relative humidity:	Non-condensing 5% - 95%

#### Physical

Case material/finish: Clear anodised, ventilated aluminium cassette with cooling cutouts and front or rear heat sinks as required.  
DIN 41494 part 5 compatible

\* EN60950 and UL certified

# EN60950

# PK-Series: BIVOLT

## Output specifications

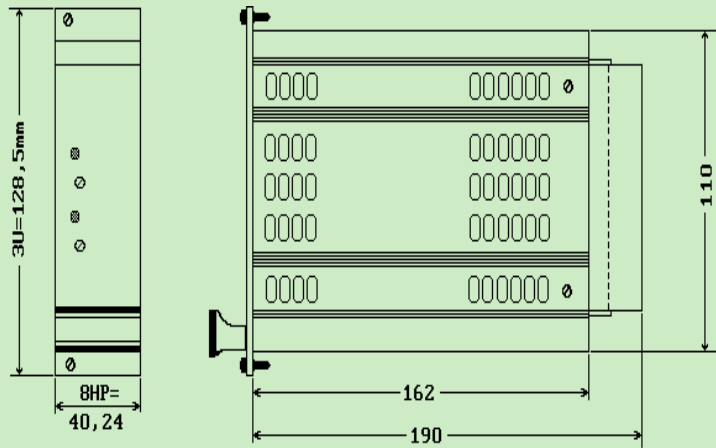
PK30	V1, V2
Output voltage:	<b>±12V - 15V</b>
Output adjustment range:	-
Output current:	<b>±0-1A</b>
Ripple:	<3mV <sub>PP</sub>
Line regulation (100% I <sub>OUT</sub> ): Δ iV <sub>OUT</sub>	<0,02%
Load regulation static (10...90% I <sub>OUT</sub> ): Δ iV <sub>OUT</sub>	<0,5%
Transient response (10...90% I <sub>OUT</sub> ):	10ms
Switching frequency, converter type:	20-50kHz flyback converter
Current limit:	>2,2A
Short circuit protection:	continuous, automatic restart
Overvoltage protection (OVP):	-
Powerfail Signal (at full load) >6ms before V <sub>OUT</sub> :	-
Temperature coefficient/°C:	0,02%
Voltage compensation with SENSE max.NOTE1:	0,5V
Derating:	1,3W/°C above 55°C

PK60	A:V1,V2	B:V1,V2	C:V1,V2	D:V1,V2
Output voltage:	<b>±12-15V</b>	<b>5V(4,5-5,5V)/12-15V</b>	<b>5V(4,5-5,5V)/24V(22-26V)</b>	<b>12-15V/24V(22-26V)</b>
Output current:	<b>±0-2A</b>	<b>0-6/0-2A</b>	<b>0-6/0-1,5A</b>	<b>0-2/0-1,5A</b>
Ripple:	<20mV <sub>PP</sub>	<40mV <sub>PP</sub>	<40mV <sub>PP</sub>	<40mV <sub>PP</sub>
Line regulation (100% I <sub>OUT</sub> ): Δ iV <sub>OUT</sub>			<0,2%	
Load regulation static (10...90% I <sub>OUT</sub> ): Δ iV <sub>OUT</sub>	<0,5%	<0,2%/0,5%	<0,2%/0,5%	<0,5%
Transient response (10...90% I <sub>OUT</sub> ):			1ms	
Switching frequency, converter type:			25-50kHz flyback converter	
Current limit:	>2,2A	>6,5A/>2,2A	>6,5A/>1,5A	>2,2A/>1,5A
Short circuit protection:			continuous, automatic restart	
Overvoltage protection (OVP):			fixed on 5V output, optional to special order on others	
Temperature-Coefficient/°C:			0,02%	
Voltage compensation with SENSE max.NOTE1:			0,5V maximum on 5V outputs	
Derating:			1,6W/°C above 55°C	

## Mechanical details

### PK30, PK60

Weight PK30, PK60: 850 g



### Pin allocation - H15 Connector

PIN	function		C	D
	PK30	PK60		
4	---	A	+5V	+12-15V
6	---	---	+5V	+12-15V
8	---	---	0V	0V
10	---	---	0V	0V
12 Note 1	---	---	+SENSE	+SENSE
14 Note 1	---	---	-SENSE	-SENSE
16	---	---	---	---
18	+12-15V	+12-15V	---	---
20	0V	0V	+12-15V	+24V
22	-12-15V	-12-15V	0V	0V
24	---	---	---	---
26	---	---	---	---
28	N	N	N	N
30	L	L	L	L
32	E	E	E	E

**Note 1:** Sense lines must be connected. For maximum compensation for supply lead voltage drop they should be connected as close to the load as possible.

# PK-Series: TRIVOLT

Primary switched mode power supplies for use in 19" subracks to DIN41494, 60 to 250 Watts output.

## Features

- 3 high stability outputs, all adjustable
- Safety approvals to UL, cUL and EN60950
- CE marked for compliance to EMC and Low Voltage Directives
- SENSE operation (5V output)
- Overvoltage (OVP) protection (5V output)
- Short circuit protected
- Powerfail signal
- No minimum load required
- Coded H15 connector
- Standardized pinning

## Ordering information

Description: TRIVOLT PK60; 3U x 8HP, 60 Watt output power

Model	Outputs			Order-Code
	V1	V2	V3	
PK60-A	5V/6A	+12-15V/1A	-12-15V/1A	<b>116-010018J*</b>
PK60-A PF	5V/6A	+12-15V/1A	-12-15V/1A	<b>116-010103A#</b>
PK60-B	5V/6A	+12-15V/2A	-12-15V/0,5A	<b>116-010101G*</b>
PK60-B PF	5V/6A	+12-15V/2A	-12-15V/0,5A	<b>116-010102D#</b>

Description: Trivolt PK120; 3U x 14HP, 6U x 8HP 120Watt output power

PK120 3U	V1:5V/12A	V2/V3: ±12-15V/2A	<b>116-010046C#</b>
PK120 6U	V1:5V/12A	V2/V3: ±12-15V/2A	<b>116-010047L#</b>
PK120 6U PF	V1:5V/12A	V2/V3: ±12-15V/2A	<b>116-010079D#</b>
PK120 3U PF	V1:5V/12A	V2/V3: ±12-15V/2A	<b>116-010078G#</b>

Description: Trivolt PK125; 6U x 8HP, 125 Watt output power

	V1	V2	V3	
PK125	5V/13A	+12V/4A	-12V/1A	<b>116-010182E</b>

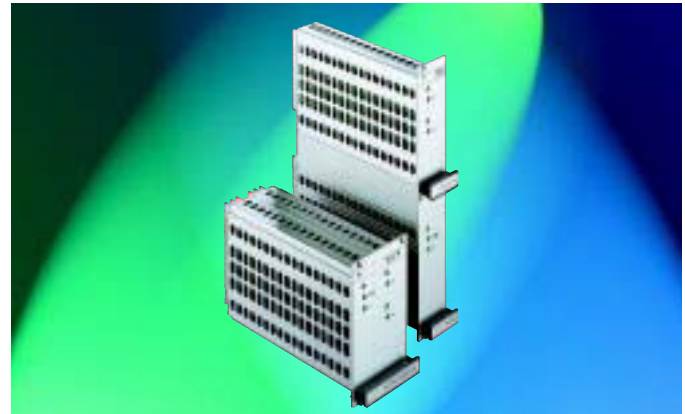
Description: Trivolt PK250-2; 6U x 14HP, 250 Watt output power

	V1	V2	V3	
PK250 with VME-Signal	5V/30A	+12V/6A	-12V/3A	<b>116-010115B#</b>

## Description: Accessories

Reduced height front panel: PK60	<b>148-10010A</b>
Reduced height front panel: PK120, 3U	<b>148-10020H</b>
Mating connector coded H15 to DIN 41612	<b>017-10115K</b>
Mating connector coded H15+2HA faston to DIN 41612	<b>017-10138K</b>
Coding keys (pkt 10)	<b>017-10064F</b>

Note: PF = Powerfail



PK-Series TRIVOLT Power Supply

## Technical Data PK Series: Trivolt

### Input specification

Input voltage switchable:	115/230VAC
Input frequency:	47-63Hz
Inrush surge current limitation:	by NTC resistor
Input overvoltage protection:	by VDR
Hold up time (Nominal $V_{IN}$ ; 100% $I_{OUT}$ ):	>20ms
Efficiency:	typ. >75%

### Safety (Compliant with Low Voltage Directive 73/23/EEC)

Certified to: EN60950, IEC 950, UL1950, VDE 0805

### EMC (Compliant with EMC Directive 89/336/EEC)

Emmissions: EN 55022/B (0,15-30MHz); EN 55022/B (30-1000MHz)	
Immunity:	EN 50082-2
Electro Static Discharge:	EN 61000-4-2
Electrical fast transients/Burst:	EN 61000-4-4
RF Conducted disturbance:	EN 50141
RF Field susceptibility:	EN 50140

### Environmental

Operating temperature:	0°C to +70°C
Storage temperature:	-25°C to +85°C
Relative humidity:	Non-condensing 5% - 95%

### Physical

Case material/finish: Clear anodised, ventilated aluminium cassette with cooling cutouts and front or rear heat sinks as applicable.  
DIN 41494 part 5 compatible

\* EN60950 and UL certified

# EN60950



# PK Series: TRIVOLT

## Output specifications

PK60	V1	Version A: V2,V3	Version B: V2,V3
Output voltage:	<b>5V</b>	<b>±12-15V</b>	<b>±12-15V</b>
Output adjustment range:	4,5-5,5V	-	-
Output current:	<b>0-6A</b>	<b>±0-1A</b>	<b>+2A/-0-0,5A</b>
Ripple:	<40mV <sub>PP</sub>	<3mV <sub>PP</sub>	<3mV <sub>PP</sub>
Line regulation (100% I <sub>OUT</sub> ): Δ iV <sub>OUT</sub>	<0,2%	<0,02%	<0,02%
Load regulation static (10...90% I <sub>OUT</sub> ): Δ iV <sub>OUT</sub>	<0,2%	<0,2% (0,75%)	<0,5% (0,75%)
Transient response (10...90% I <sub>OUT</sub> ):	1ms	10ms	10ms
Switching frequency, converter type:		20-50kHz flyback converter	
Current limit:	>6,5A	>±1,1A	>2,1A/0,6A
Short circuit protection:Short circuit protection:		continuous, automatic restart	
Overvoltage protection (OVP):	6-6,7V	-	-
Powerfail Signal (at full load) >6ms before V <sub>OUT</sub> :	<4,8V	-	-
Temperature-Coefficient/°C:		0,02%	
Voltage compensation with SENSE max. <sub>NOTE1</sub> :	0,5V	-	-
Derating:		1,6W/°C above 45°C	

PK120	V1	V2,V3
Ausgangsspannung:	<b>5V</b>	<b>±12-15V</b>
Output adjustment range:	4,5-5,5V	-
Output current:	<b>0-12A</b>	<b>0-2A</b>
Ripple:	<40mV <sub>PP</sub>	<20mV <sub>PP</sub>
Line regulation (100% I <sub>OUT</sub> ): Δ iV <sub>OUT</sub>		<0,02%
Load regulation static (10...90% I <sub>OUT</sub> ): Δ iV <sub>OUT</sub>		<0,2%
Transient response (10...90% I <sub>OUT</sub> ):	<0,2ms	<0,5ms
Switching frequency, converter type:		25-100kHz flyback/forward converter
Current limit:	>12,5A	>2,2A
Short circuit protection:Short circuit protection:		continuous, automatic restart
Overvoltage protection (OVP):	5,5-6,0V	-
Powerfail Signal (at full load) >6ms before V <sub>OUT</sub> :	<4,8V	-
Temperature-Coefficient/°C:		0,02%
Voltage compensation with SENSE max. <sub>NOTE1</sub> :	0,5V	-
Derating:		4W/°C above 55°C

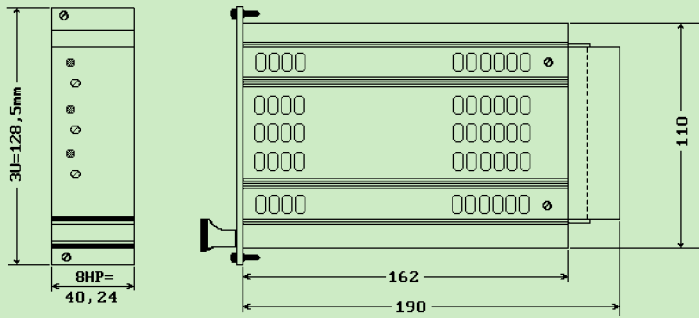
PK125	V1	V2	V3
Ausgangsspannung:	<b>5V</b>	<b>12V</b>	<b>-12V</b>
Output adjustment range:	4,5-5,5V	10,8-13,2V	-10,8-13,2V
Ausgangsgleichstrom:	<b>0-13A</b>	<b>0-4A</b>	<b>0-1A</b>
Ripple:		<40mV <sub>PP</sub>	
Line regulation (100% I <sub>OUT</sub> ): Δ iV <sub>OUT</sub>	<0,3%	<0,2%	<0,2%
Load regulation static (10...90% I <sub>OUT</sub> ): Δ iV <sub>OUT</sub>		<0,2%	
Transient response (10...90% I <sub>OUT</sub> ):	1ms	1ms	1ms
Switching frequency, converter type:		50kHz forward converter	
Current limit:	>14A	>5A	>1A
Short circuit protection:	continuous, automatic restart		
Overvoltage protection (OVP):	6,0-6,7V adjustable	-	-
Powerfail Signal (at full load) >6ms before V <sub>OUT</sub> :	ACFAIL and SYSRESET in accordance with VME spec. rev D		
Temperature-Coefficient/°C:		0,05%	
Voltage compensation with SENSE max. <sub>NOTE1</sub> :	0,5V	-	-
Derating:		3W/°C above 55°C	

PK250	V1	V2	V3
Ausgangsspannung:	<b>5V</b>	<b>12V</b>	<b>-12V</b>
Output adjustment range:	4,5-5,5V	10,8-13,2V	-10,8-13,2V
Output current:	<b>0-30A</b>	<b>0-6A</b>	<b>0-3A</b>
Ripple:		<40mV <sub>PP</sub>	
Line regulation (100% I <sub>OUT</sub> ): Δ iV <sub>OUT</sub>		<0,2%	
Load regulation static (10...90% I <sub>OUT</sub> ): Δ iV <sub>OUT</sub>	<0,2%	<1%	<1%
Transient response (10...90% I <sub>OUT</sub> ):	1ms	2ms	2ms
Switching frequency, converter type:		50kHz halfbridge push-pull converter	
Current limit:	>31A	>6,5A	>3,5A
Short circuit protection:		continuous, automatic restart	
Overvoltage protection (OVP):	5,5-7,0V adjustable	-	-
Powerfail Signal (at full load) >6ms before V <sub>OUT</sub> :	ACFAIL and SYSRESET in accordance with VME spec. rev D		
Temperature-Coefficient/°C:		0,05%	
Voltage compensation with SENSE max. <sub>NOTE1</sub> :	0,5V	-	-
Derating:		6W/°C above 55°C	

# PK Series: TRIVOLT

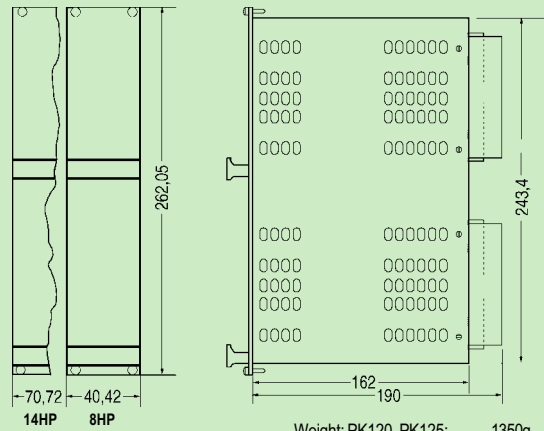
## Mechanical details

PK60



Weight: PK60: 850g

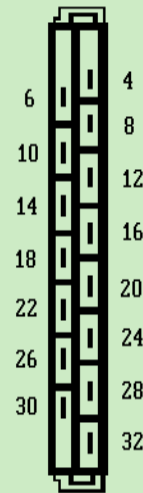
PK120, PK125, PK250



Weight: PK120, PK125: 1350g  
Weight: PK250: 2500g

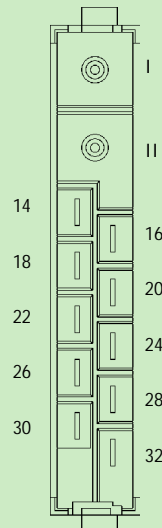
### Pin allocation H15-connector

PN	Function	PK120
4	+5V	+5V
6	+5V	+5V
8	-Vout	-Vout
10	-Vout	-Vout
12	+SENSE	+SENSE
14	-SENSE	-SENSE
16	PF α	PF α
18	+12-15V	+12-15V
20	0V	0V
22	-12-15V	-12-15V
24	—	—
26	—	—
28	N	N
30	L	L
32	E	E



### Pin allocation - H15+2HA connector

PN	Function S2	PIN	Function S1 (DIN41612- C96)
	<i>PK125/250</i>		<i>PK125/250</i>
I	+5V	B3	AC FAIL
I	0V	C12	SYS RESET
14	+SENSE	C9	0V
16	-SENSE		
18	+12V		
20	0V (±12V)		
22	-12V		
28	N		
30	L		
32	E		



AC-DC