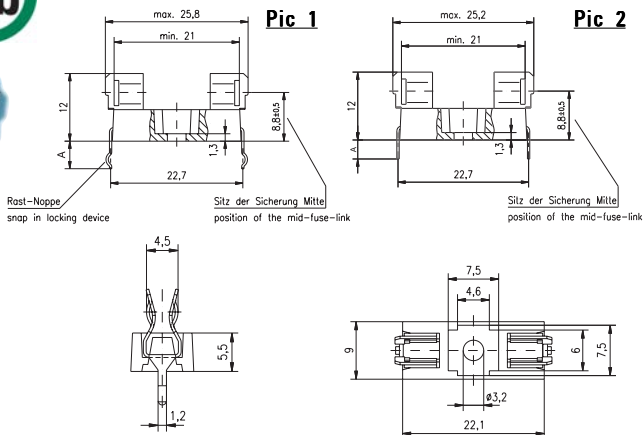
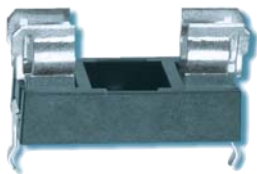


## Holder / No. 646

## PC Mount, for 5x20mm Fuses, lead free

## Specifications



### Mounting

Solder pins 0.5mm x 1.2mm  
 Ø 3mm screw hole may be used optionally

### Materials

Holder: Black Thermoplastic, UL94 V-0  
 Polyamide PA 6.6  
 Metal Parts: Copper alloy, solderable, tinned

### Electrical Data (23°C)

Rated Voltage: 250V  
 Max. current/power: 6.3A/2.5W  
 5A/1W (with No. 648)  
 6.3A/1.6W (with No. 640)

### Minimum Cross Section

Conducting path - 0.2mm<sup>2</sup>

### Unit Weight

1.6g

### Packaging

Bulk (1000 pcs.)

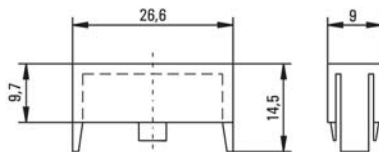
### Order Information

Qty.	Order Number	Series		Type
		646	0000	

Type	Pic	Meas. "A"	for PCB-Thickness
100	1	5mm	3mm
122	1	3.2mm	1.5mm
123	2	3.3mm	1.5mm

## Cover / No. 648

## Optional Cover



### Materials

Cover: Transparent Thermoplastic, UL94 V-0, Polycarbonate PC

### Unit Weight

1.0g

### Packaging

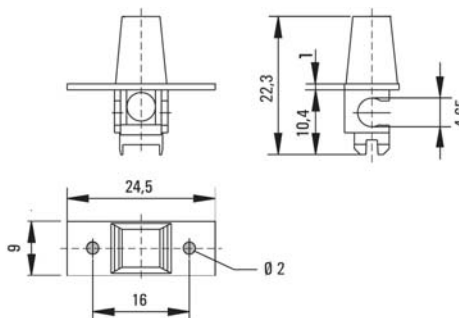
Bulk (2000 pcs.)

### Order Information

Qty.	Order Number	Series		Type
		648	0000	100

## Adapter / No. 640

## Optional Adapter



### Mounting

Hand adapter can be optionally used with Holder No. 646 and 647

### Materials

Adapter: Polyester PBT, UL94 V-0

### Unit Weight

1.0g

### Packaging

Bulk (5000 pcs.)

## Colours

Adapter black	100
Adapter brown	140
Adapter white	150
Adapter yellow	160
Adapter green	170
Adapter blue	190

### Order Information

Qty.	Order Number	Series		Colour
		640	0000	

Contact Littelfuse for an auto-insertable fuse, holder and adapter assembly.

Specifications are subject to change without notice

Note: 1.00 means the number one with two decimal places. 1,000 means the number one thousand.