

MEGA® BOLT-DOWN FUSE BLOCK



Description

Use with MEGA® fuses up to 500 amps. Ideal for battery and alternator connections and other heavy gauge cables requiring ultra high current protection. Includes protective cover. Features interconnecting pins on side of fuse block for secure multiple block configurations. Includes M8 threaded studs and hex nuts with lock washers. Fuse not included.

Features and Benefits

- Interlocking pins for connecting multiple blocks to fit your application.
- Includes M8 hex nuts and lock washers
- Uses MEGA fuses for protection between 40A and 500A.

Specifications Overview

Max Fuse Rating:	500A
Voltage:	32V
Mounting Torque:	5 Nm
Studs:	M8 threaded
Included Hardware:	Hex nuts with lock washers

Applications

- Body Builders
- Medium Duty Vehicles

Web Resources

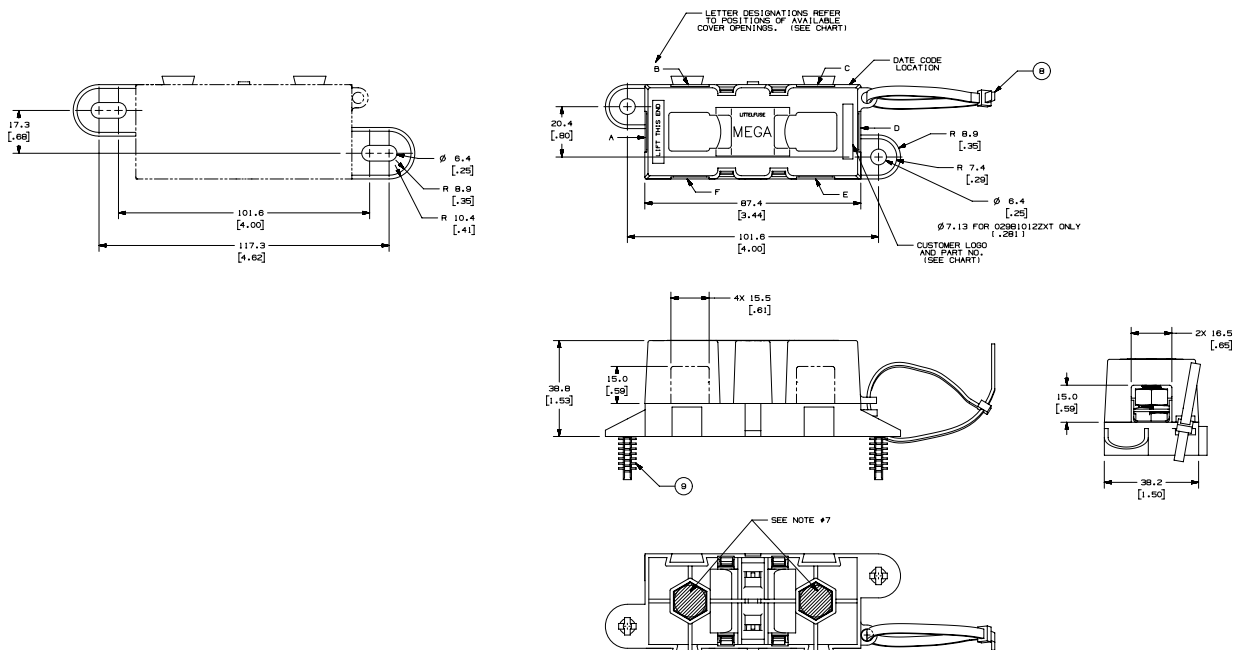
Download 2D print and technical resources at:
littelfuse.com/298

Ordering Information

PART NUMBER	QUANTITY	VOLTAGE	AMPERAGE
02981001ZXT	Bulk 160	32V DC	500A
02980900Z	Bulk 70	32V DC	500A
02980900S	Bulk 20	32V DC	500A
02980900TXN	Bulk 10	32V DC	500A

See Page 2 for Additional Configurations and Part Numbers

Dimensions in millimeters



Ordering Information

PART NUMBER	BULK QUANTITY	MAX AMPERAGE	POLES	BASE STYLE	COVER OPENINGS	FUSE INCLUDED	HEX NUT	TETHER	RACHET FASTENER
02980900S	20	500	1	1	A & D	–	M8	Yes	No
02980900TXN	10	500	1	1	A & D	–	M8	Yes	No
02980900Z	70	500	1	1	A & D	–	M8	Yes	No
02981001ZXSS	100	500	1	1	A & D	–	M8	Yes	No
02981001ZXT	160	500	1	1	A & D	–	M8	Yes	No
02981002ZXSS	100	500	1	2	A & D	–	M8	Yes	No
02981002ZXT	140	500	1	2	A & D	–	M8	Yes	No
02981003ZXT	160	500	1	1	A, B, C, D, E, F	–	M8	Yes	No
02981004ZXT	160	500	1	1	A, C, F	175	None	Yes	No
02981005ZXT	160	500	1	1	A, C, D, E	–	M8	Yes	No
02981006ZXT	160	500	1	1	A, B, C, D, E, F	175	M6 w/ Flange	No	Yes
02981007ZXT	140	500	1	2	A, E	200	M8	No	No
02981008ZXT	140	500	1	2	A, D, E	200	M8	No	No
02981010ZXT	160	500	1	1	A, C, D, E	450	M8	Yes	No
02981011ZXT	160	500	1	2	C, E, F	450	M8 Locknut w/ Flange	Yes	No
02981012ZXT	160	500	1	1	B, C, E, F	–	M8	Yes	No
02981013ZXT	160	500	1	1	B, C	175	M6 w/ Flange	No	Yes
02981014ZXT	160	500	1	1	A, D	100	None	Yes	No
02981015ZXT	140	500	1	2	A, C, E	200	M8	No	No
02981017ZXT	160	500	1	1	A, B, C, D, E, F	250	M6 w/ Flange	No	No
02981018ZXT	160	500	1	1	A & D	400	M8 Locknut w/ Flange	Yes	Yes
02981019ZXT	140	500	1	2	B, C, F	–	None	Yes	No
02981022ZXT	160	500	1	1	A, B, C, D	–	M8	Yes	No
02981024ZXT	160	500	1	1	D, F	–	M8	Yes	No
02981025ZXT	160	500	1	2	B, C	150	None	Yes	No
02981026ZXT	140	500	1	2	E, F	150	M8 Locknut w/ Flange	Yes	No
02981027ZXT	140	500	1	2	B, E	500	None	Yes	No
02981030ZXT	160	500	1	1	B, C	–	M8	Yes	Yes
02981034ZXT	160	500	1	1	E, F	–	M8	Yes	No
02981035ZXT	160	500	1	2	B, E	100	M8 w/ Flange	Yes	No
02981036ZXT	140	500	1	2	A, B, C, D, E, F	–	None	No	No
02981039ZXT	–	500	1	2	A, B, C, D, E, F	–	None	Yes	No
02981040ZXT	–	500	1	2	B, C, D	500	None	No	No
02982002ZXT	60	500	2	1	A, C, F / A, B, C, E	175 / 175	1x M8	Yes	No
02982003ZXT	60	500	2	1	D, E, F / A, D	100 / 175	1x M8 Locknut w/ Flange	Yes	No
02982004ZXT	60	500	2	1	A, B / B, C, F	175 / open	1x M8 Locknut w/ Flange	Yes	No
02982006ZXT	60	500	2	2	C, F / B, D, E	250 / 450	3x M8 w/ Flange	Yes	No
02982007ZXT	60	500	2	2	C, F / B, D, E	250 / 300	3x M8 Locknut w/ Flange	Yes	No
02982008ZXT	60	500	2	2	C, F / B, D, E	250 / 400	3x M8 w/ Flange	Yes	No
02982009ZXT	60	500	2	2	A, C / B, D, E	250 / 250	4x M8 w/ Flange	Yes	No
02982011ZXT	60	500	2	2	C, E, F / B, C, E	350 / 450	1x M8 w/ Flange	Yes	No
02983000ZXT	40	500	3	1	A, E / A, C, E / A, C, E	150 / 100 / 150	2x M8	Yes	No
02983002ZXT	40	500	3	2	A, C, E / A, C, E / A, C	50 / 175 / 175	2X M8 Locknut w/ Flange	Yes	No
02983003ZXT	40	500	3	2	A, E / A, C, E / A, C, E	175 / 175 / 400	3X M8 Locknut w/ Flange	Yes	No
02983004ZXT	40	500	3	2	B, E / A, C, E / C, E, F	100 / 225 / 450	3X M8 Locknut w/ Flange	Yes	No
02983005ZXT	40	500	3	2	B, E / A, C, D, E / C, F	250 / 250 / 400	5X M8 w/ Flange	Yes	No
02983006ZXT	40	500	3	2	B, E / A, C, D, E / C, F	250 / 250 / 450	5X M8 w/ Flange	Yes	No
02984000ZXT	–	500	4	1	A, E / A, C, E / A, C, E / A, C, E	150 / 100 / 150 / 100	3x M8	Yes	No