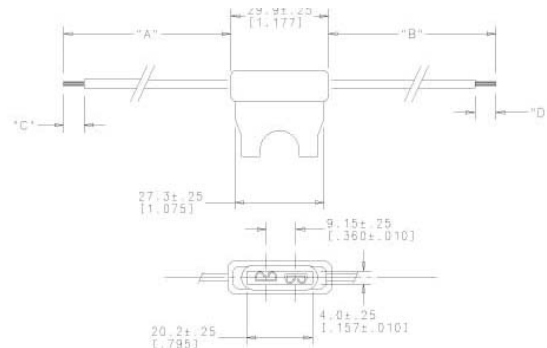


**Blade Fuse Holder - In-Line Fuse Holder for ATO® Style Blade Fuse** RoHS



Series Serien	Pack Size
0FHA0001.ZXJ	500
0FHA0002.ZXJ	500

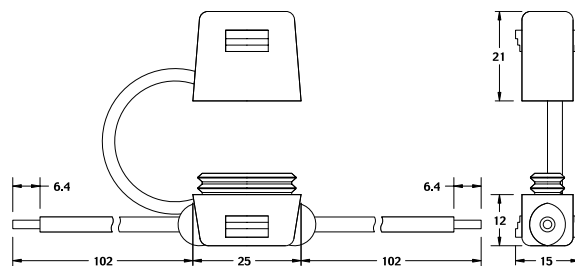
Part Number Artikel-Nr.	Description Beschreibung	Fuse Rating Sicherungs- Nennstrom
0FHA0002_	12AWG/3.3mm <sup>2</sup> stranded orange wire	30 A
0FHA0001_	16AWG/1.3mm <sup>2</sup> stranded black wire	20 A

Used with ATO® / FKS Fuse 1 to 20A or 25A and 30A. Supplied with two 4" / 102mm wire leads.

Für ATO® / FKS-Sicherungen von 1A bis 20A oder 25A und 30A. Lieferung mit zwei 102mm langen Leitungen.

Wire length, color and diameter can be customized upon request. Customization requires minimum order quantities depending on nature of modifications. Please contact your sales representative for details.

**Blade Fuse Holders - In-Line Splash-Waterproof Fuse Holder for ATO® Style Blade Fuse** RoHS



Series Serien	Pack Size
FHAC0001ZXJ	1000
FHAC0002ZXJ	1000

Part Number Artikel-Nr.	Description Beschreibung	Fuse Rating Sicherungs- Nennstrom
FHAC0001_	16AWG/1.3mm <sup>2</sup> stranded black wire	20 A
FHAC0002_	12AWG/3.3mm <sup>2</sup> stranded orange wire	30 A

Used with ATO® / FKS Fuse 1 to 20A or 25A and 30A. Supplied with two 4" / 102mm wire leads. Includes protective cover for harsh environment.

Für ATO® / FKS-Style-Sicherungen von 1A bis 20A oder 25A und 30A. Lieferung mit zwei 102mm langen Leitungen (orange, AWG12). Mit Schutzhaube für raue Umgebungen.

Wire length, color and diameter can be customized upon request. Customization requires minimum order quantities depending on nature of modifications. Please contact your sales representative for details.

Fuse Holders  
Inline