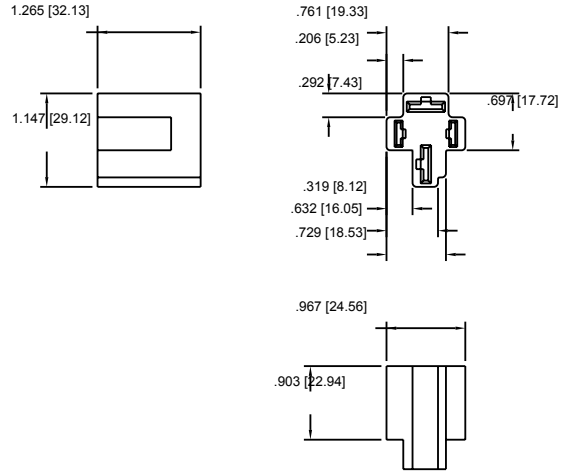
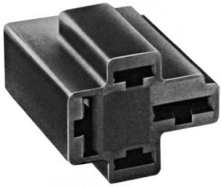


DZ Series

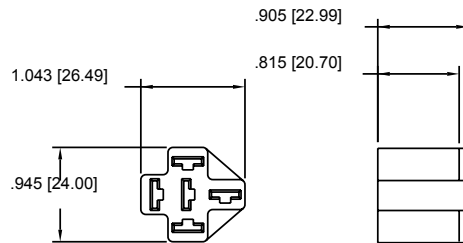
Automotive relay sockets



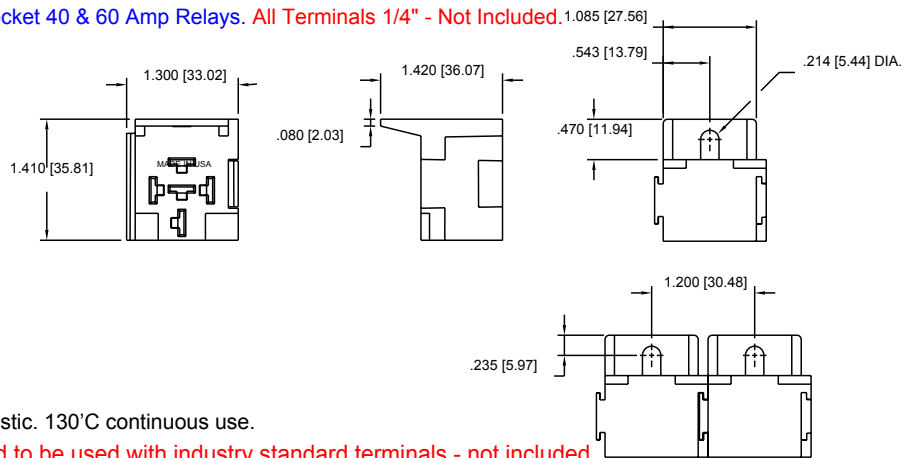
DZ85-4-WH 4 Pin Cable Socket for 80 & 100 Amp Relays. Load Terminals 3/8", Coil Terminals 1/4" - Not Included.



DZ85AB-5-WH1 5 Pin Cable Socket for 40 & 60 Amp Relays. All Terminals 1/4" - Not Included.



DZ85AB-5-WH2 5 Pin Cable Socket 40 & 60 Amp Relays. All Terminals 1/4" - Not Included.



Construction: Heat stabilized Thermoplastic. 130°C continuous use.

The DZ85-WH Housings are designed to be used with industry standard terminals - not included.

Typical suitable Terminals:

| | | | |
|----------------|-----------|-----------|------------|
| FCI Automotive | JW-1230-2 | 12-14 AWG | 1/4" Blade |
| FCI Automotive | JW-1630-2 | 16-18 AWG | 1/4" Blade |
| AMP | 42100 | 14-18 AWG | 1/4" Blade |
| AMP | 42281 | 14-18 AWG | 1/4" Blade |
| AMP | 42904 | 12-16 AWG | 1/4" Blade |
| AMP | 60249 | 12-16 AWG | 1/4" Blade |
| AMP | 280756-4 | 10-12 AWG | 3/8" Blade |

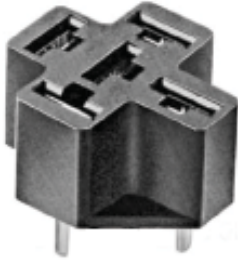


DZ Series

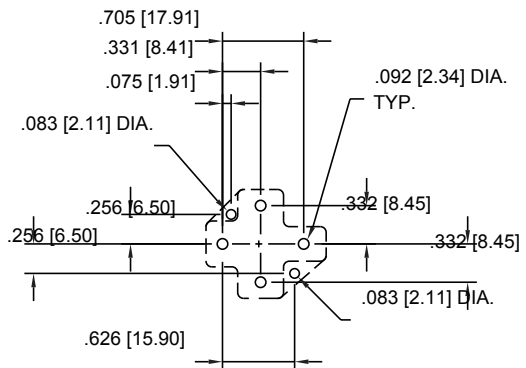
Automotive relay sockets



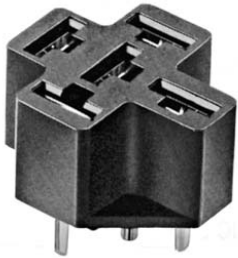
DZ85AB-4-PCB 4 Pin PCB Socket for 40 & 60 Amp Relays - Pins are Included.



PC BOARD LAYOUT



DZ85AB-5-PCB 5 Pin PCB Socket for 40 & 60 Amp Relays - Pins are Included.



PC BOARD LAYOUT

