

Specifications

Ver.1.1

Product Name

PIR MOTION SENSOR "PaPIRs"

Model No.

EKMB130611□K

Page: 1

1. Product Name

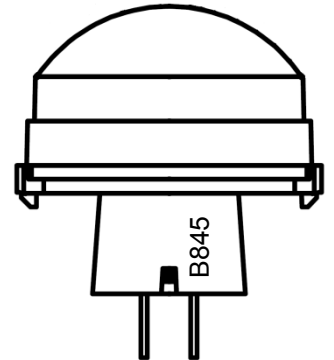
PIR MOTION SENSOR "PaPIRs"

WL series · High density long distance detection type (6μA / Digital output)

2. Model Number

Lens Color	Model Number
White	EKMB1306111K
Black	EKMB1306112K
Pearl White	EKMB1306113K

Marking

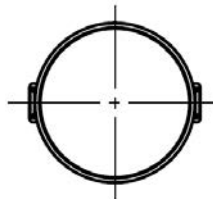


B 8 45

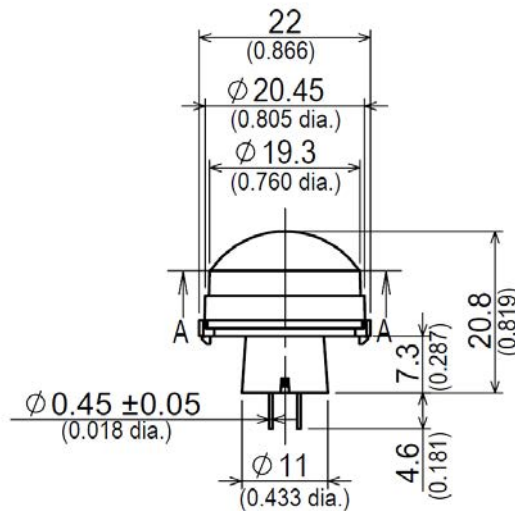
a) b) c)

3. Dimensions

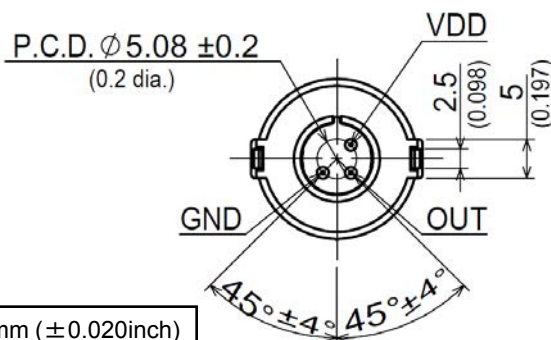
Top VIEW



Side VIEW



Bottom VIEW

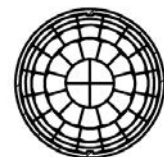


a) The Marking which was shown by a list shown below

Marking	Model Number
A	EKMC160611□
B	EKMB130611□K
C	EKMB110611□
D	EKMB120611□
E	EKMB260611□
F	
G	EKMC260611□K
H	EKMC460611□K
I	
J	
K	

b) Last-digit of the year (Ex:2010=0,2011=1,...)

c) Lot No.
1st week of Jan. will be 01, and further No. of 02,03, will continue up to 53.



SECTION A-A

General Tolerance ±0.5mm (±0.020inch)

Panasonic Corporation

Approved by

Checked by

Issued on Mar. 23rd,2018

Designed by

Specifications

Ver.1.1

Product Name

PIR MOTION SENSOR "PaPIRs"

Model No.

EKMB130611□K

Page: 2

4.Characteristics

4-1 Detection Performance

Conditions for measuring: Ambient temperature=25°C(77° F) Operating voltage=3VDC

	Temperature difference	Value	Conditions concerning the target
(Note1) Detection Range	8°C(14.4° F)	Max 17m	1.Movement speed: 1.0m/s 2.Target concept is human body (Object size:Around 700×250mm)
	4°C(7.2° F)	Max 12m	

Note1: Depending on the temperature difference between the target and the surroundings, detection range will change.

		Value	Notes
Detection Area	Horizontal	62° (±31°)	Refer to the section 4-5.
	Vertical	62° (±31°)	
	Detection zones	128	

4-2 Maximum Rated Values

	Value	Unit
Power Supply Voltage	-0.3~4.5	VDC
Usable Ambient Temperature	-20~+60°C (-4~+140° F) Do not use in a freezing or condensation environment	
Storage Temperature	-20~+70°C (-4~+158° F)	

4-3 Electrical Characteristics

Conditions for Measuring: Ambient temperature=25°C(77° F)

	Symbol	Min	Avg.	Max	Unit	Special mention
Operating Voltage	Vdd	2.3	—	4.0	VDC	—
Electrical Current Consumption	Iw	—	6	12	μA	Iout=0
Output Current	Iout	—	—	100	μA	Vout ≥ Vdd - 0.5
Output Voltage	Vout	Vdd - 0.5	—	—	VDC	—
Circuit Stability Time (when voltage is applied)	Twu	—	—	10	s	—