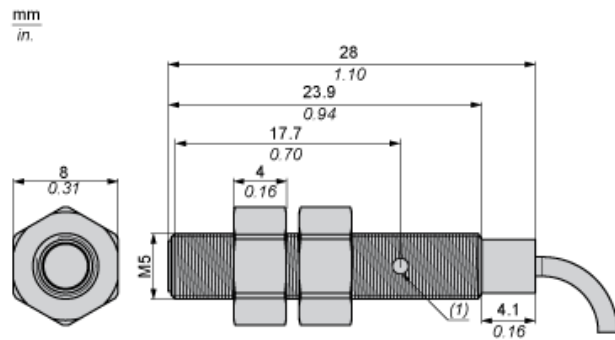


Dimensions



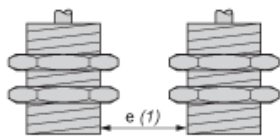
(1) LED

---

Minimum Mounting Distances in mm

---

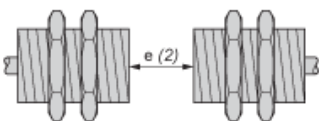
Side by side



e (1) 2 mm/0.79 in.

≥

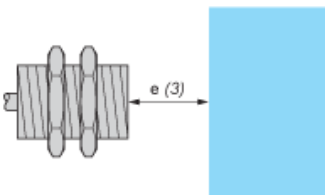
Face to face



e (2) 12 mm/0.47 in.

≥

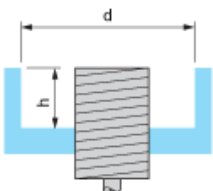
Facing a metal object



e (3) 3 mm/0.12 in.

≥

Mounted in a metal support



d ≥ 5 mm/0.17 in.

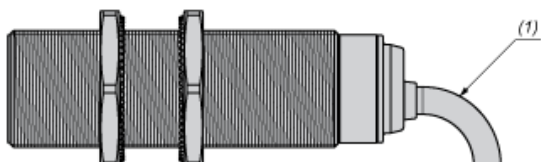
h ≥ 0 mm/0 in.

Tightening torque : 2.2 N.m. (values obtained with washers mounted)

---

Mounting

---



(1) Bending cable: 4 x external cable diameter