

PD10 Make & Break Load Switching

Product Facts

- Excellent for control applications
- PCB and panel mountings
- Rugged design for the most demanding applications, including seismic shock
- Small size and weight
- Low power consumption
- No heat sinks required
- Vacuum-sealed; can operate in explosive and harsh environments
- 2000 V isolation across open contacts
- Vacuum dielectric for power switching



Panel mount version shown above is applicable to both PD5 and PD10. For PD10, the two power terminals are .064" (1.63) diameter. Refer to PD5 for PCB mount dimensions.

Product Specifications

Contact Arrangement —

PD10A — SPST-NO
 PD10B — SPST-NC
 PD10P*** — SPST-Latching

Contact Form —

PD10A — A**
 PD10B — B**
 PD10P*** — P**

Rated Resistive Load @ 320 Vdc —

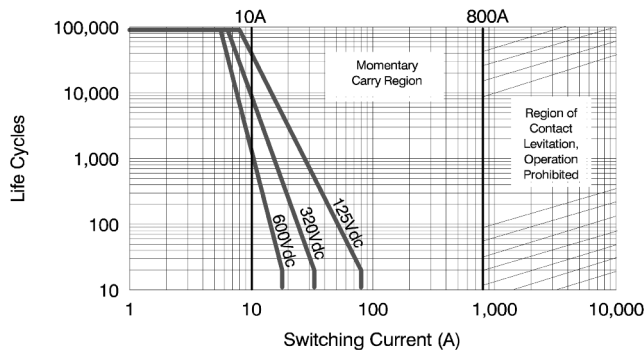
10 A
 @ 85°C —

PD10A and PD10B — 25 A
 PD10P*** — 30 A

Overload @ 320 Vdc, (Make/Break) — 20 A

For factory-direct application assistance, dial 800-253-4560, ext. 2055, or 805-220-2055.

Contact Ratings*

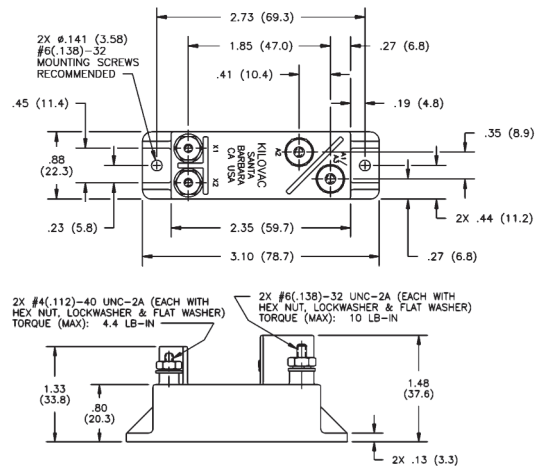


*Based on extrapolated data. Since each application is unique, user is encouraged to verify rating in actual application. The load terminals should always be connected as follows: Common Contact (A2) positive; Other Contact negative.

Coil Data

Nominal Volts DC	12 Vdc	24 Vdc	125 Vdc
Max. Coil Voltage	14 Vdc	28 Vdc	130 Vdc
Pickup, Max. @ 85°C	8 Vdc	16 Vdc	80 Vdc
Hold, Min. @ 85°C	3.3 Vdc	10 Vdc	33 Vdc
Dropout, Min. @ -40°C	.5 Vdc	1 Vdc	5 Vdc
Coil Resistance (±10%)	70 Ω	290 Ω	4700 Ω

Ratings listed are for 25°C, sea level conditions



Life, (Mechanical/Rated Load) —

PD10A and PD10B — 500k cycles/10k cycles
 PD10P*** — 7,000 cycles

Contact Resistance, Max., End of Life —

PD10A and PD10B — 0.030 ohm
 PD10P*** — 0.030 ohm

Dielectric at Sea Level —

Power Terminals to Coil and All Other Points —
 PD10A and PD10B — 1,800 Vrms
 PD10P*** — 2,000 Vrms

Shock, 11ms, 1/2 Sine (Peak) —

25 g
 Vibration, Sinusoidal (55-2000 Hz, Peak) — 5 g

Operating Ambient Temperature Range —

PD10A and PD10B — -40°C to +85°C
 PD10P*** — -35°C to +65°C

Operate Time, Max., Including Bounce @ 25°C —

PD10A and PD10B — 10 ms
 PD10P*** — 6 ms

Release Time, Max., Including Bounce @ 25°C —

PD10A and PD10B — 10 ms
 PD10P*** — 6 ms

Insulation Resistance @ 500 Vdc, Min. —

Initial/End of Life — 100 mohm/50 mohm

Weight, Nominal —

71 g (.156 lb)

Notes:

**Contact TE for availability of other contact forms
 ***Not available in package shown, package is the same as the K41P.

Ordering Information

Sample Part Number ▶ PD10 A A 5 7

Series: _____

Contact Form: _____

A = SPST-NO
 B = SPST-NC
 P = SPST-Latching

Coil Voltage: _____

2 = 12 Vdc, PCB Version 3 = 24 Vdc, PCB Version
 5 = 125 Vdc, PCB Version
 A = 12 Vdc, Panel Mount Version
 B = 24 Vdc, Panel Mount Version
 C = 125 Vdc, Panel Mount Version

Power Terminals: _____

3 = PCB Solder Connection
 5 = Stud Terminal, Panel Mount

Mounting: _____

5 = PCB Mount

7 = Panel Mount