

| DIAGNOSTIC MODES | | | |
|---|---|---|--|
| FAILURE | V_{out} ANALOG R_{pull-up} | V_{out} ANALOG R_{pull-down} | V_{out} PWM R_{pull-up} = 1 kΩ V_{pull-up} = V_{supply} = 5 V |
| 1: Broken GND | Diagnostic high area | Diagnostic low area | > 97 % V _{supply} without modulation |
| 2: Broken V _{out} | Diagnostic high area | Diagnostic low area | > 97 % V _{supply} without modulation |
| 3: Broken V _{supply} | Diagnostic high area | Diagnostic low area | > 97 % V _{supply} without modulation |
| Over voltage V _{supply} > 7 V | Diagnostic high area | Diagnostic low area | > 97 % V _{supply} without modulation |
| Under voltage V _{supply} < 2.7 V | Diagnostic high area | Diagnostic low area | > 97 % V _{supply} without modulation |

V_{pull-up} can be independent to V_{supply}

✕ Cut off

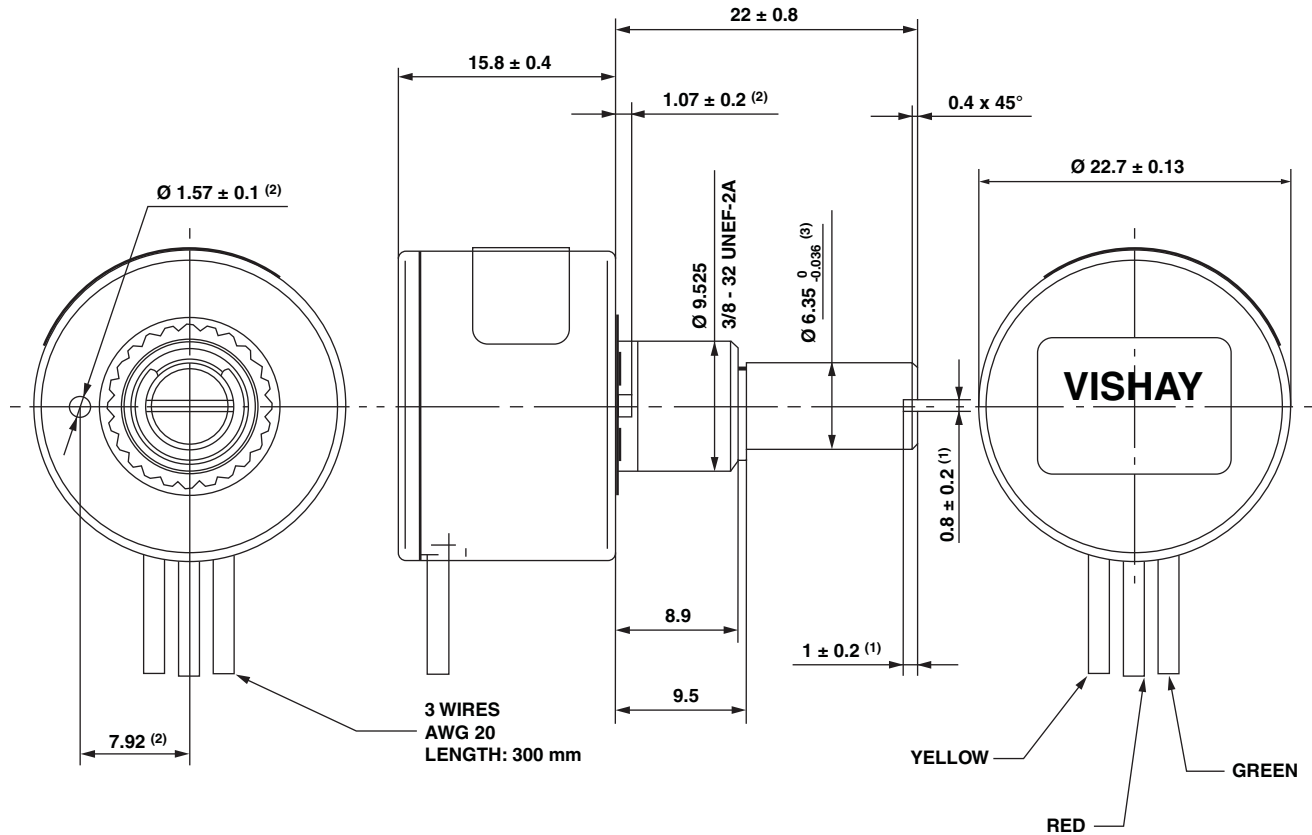
| ENVIRONMENTAL SPECIFICATIONS | |
|---|--|
| Vibrations | 20 g from 10 Hz to 2000 Hz |
| Shocks | 3 shocks/axis; 50 g half a sine 11 ms |
| Operating temperature range | -45 °C; +125 °C |
| Life | > 10M of cycles |
| Rotational speed (max.) | 120 rpm |
| Immunity to radiated electromagnetic disturbances | 200 V/m 150 kHz/1 GHz |
| Immunity to power frequency magnetic field | 200 A/m 50 Hz/60 Hz |
| Radiated electromagnetic emissions | 30 MHz/1 GHz < 30 dBμV/m |
| Electrostatic discharges | Contact discharges: ± 4 kV Air discharges: ± 8 kV |
| MATERIALS | |
| Housing | Thermoplastic housing |
| Bushing | Brass nickel plated |
| Shaft | Stainless steel |
| Output | 3 lead wires |
| BUSHING MOUNT HARDWARE | |
| Lockwasher internal tooth | Steel nickel plated |
| Panel nut | Brass nickel plated |

Note

- Nothing stated herein shall be construed as a guarantee of quality or durability.

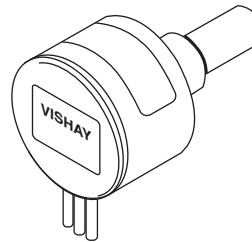
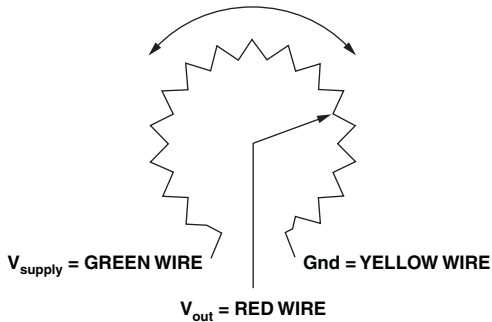


DIMENSIONS in millimeters



CW OR CCW ACCORDING
OUTPUT MODE CHOICE

GENERAL TOLERANCE: ± 0.5 mm



VIEWED FROM SHAFT

Notes

- (1) For version slotted shaft
- (2) For version non turn pin
- (3) For shaft type "1"

| MARKING | |
|---------------------|---|
| Unit Identification | Manufacturer's name and complete sap part reference, date code, and wiring correspondance: colors versus connections. |