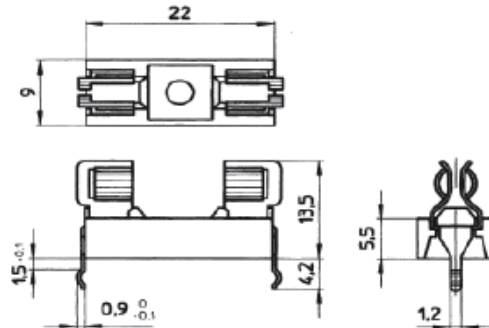
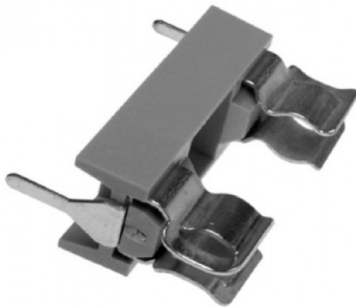
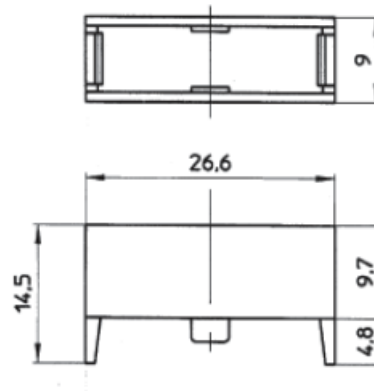


MC000827



MC000833



Dimensions : Millimeters

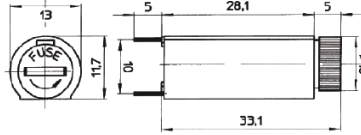
Features:

- PCB mounting
- Transparent insulation cover MC000833
- 22.6mm pitch

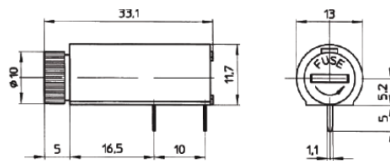
Specifications:

Rating	: 6.3A/ 250V
Contacts/Resistance	: Tinned, nickel plated Brass
Dielectric strength	: 3kV / 60 Sec
Temperature	: -20°C to 125°C
Operating power	: 1.6W
Recommended PCB hole size	: 1.3mm

MC000832



MC000831



Dimensions : Millimeters

Features:

- Finger or screwdriver release, bayonet carrier
- Horizontal or vertical mounting
- Compact footprint 10mm pitch
- Anti solder wicking

Specifications:

Rating : 10A/ 250V
 Contacts/Resistance : Tinned nickel plated
 Brass, <math><5m\Omega</math>
 Dielectric strength : 3kV / 60 Sec
 Power dissipation : 2.5W
 Recommended PCB hole size : 1.5mm
 Insulation Resistance : 100M Ω

Part Number Table

Description	Part Number
5mm × 20mm PCB Fuse Carrier	MC000827
5mm × 20mm PCB Fuse Carrier Cover	MC000833
5mm × 20mm Compact Vertical PCB Mounting Fuseholder	MC000832
5mm × 20mm Compact Horizontal PCB Mounting Fuseholder	MC000831

Important Notice : This data sheet and its contents (the "Information") belong to the members of the Premier Farnell group of companies (the "Group") or are licensed to it. No licence is granted for the use of it other than for information purposes in connection with the products to which it relates. No licence of any intellectual property rights is granted. The Information is subject to change without notice and replaces all data sheets previously supplied. The Information supplied is believed to be accurate but the Group assumes no responsibility for its accuracy or completeness, any error in or omission from it or for any use made of it. Users of this data sheet should check for themselves the Information and the suitability of the products for their purpose and not make any assumptions based on information included or omitted. Liability for loss or damage resulting from any reliance on the Information or use of it (including liability resulting from negligence or where the Group was aware of the possibility of such loss or damage arising) is excluded. This will not operate to limit or restrict the Group's liability for death or personal injury resulting from its negligence. Multicomp is the registered trademark of the Group. © Premier Farnell plc 2012.